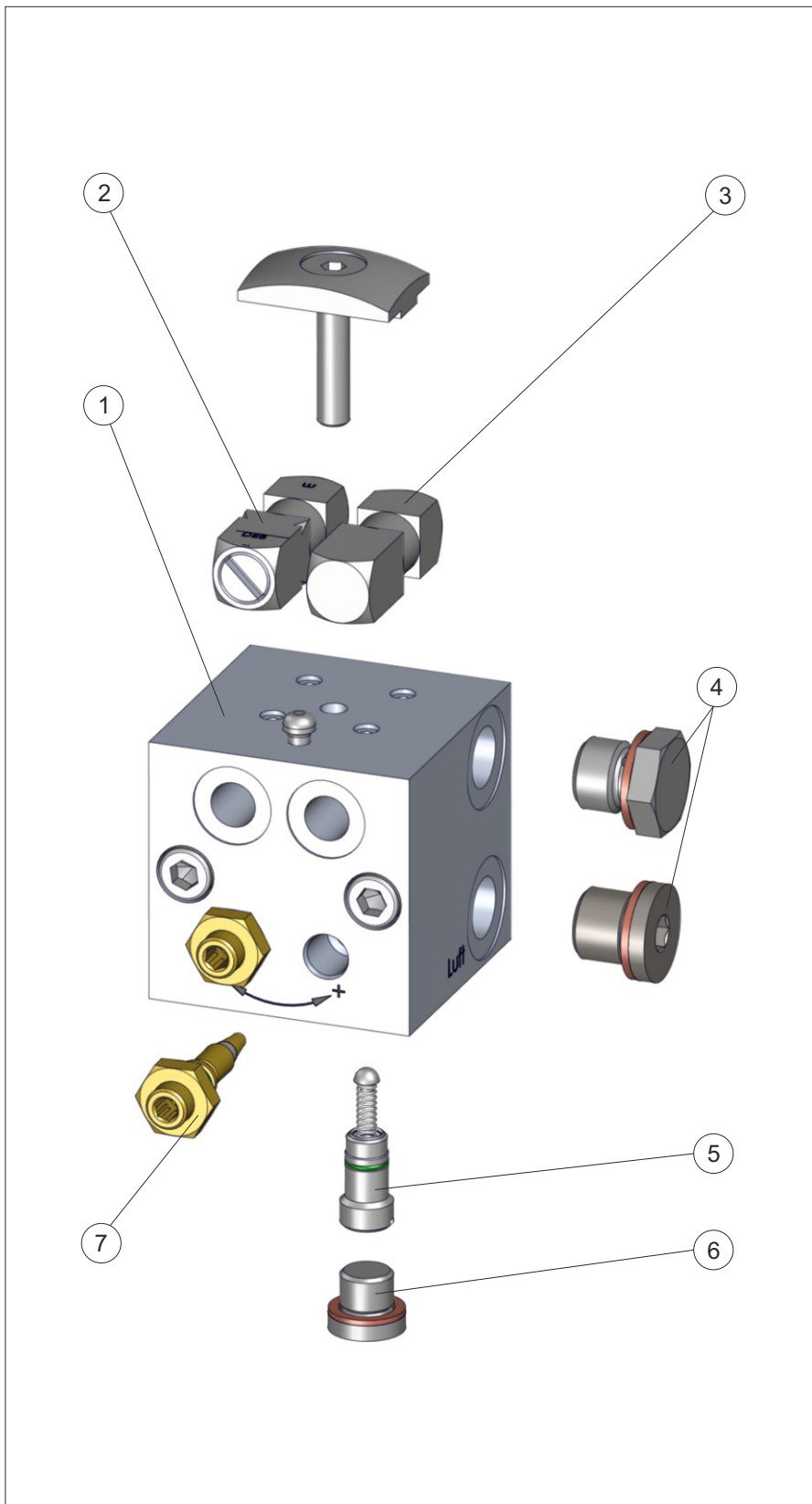




- Subject to modifications -



Item Designation	Order no.
1 Connection block	
Main line connection two-sided	
2-point	AOE-B/2/1
4-point	AOE-B/4/1
6-point	AOE-B/6/1
8-point	AOE-B/8/1
10-point	AOE-B/10/1
Main line connection one-sided	
2-point	AOE-B/2/2
4-point	AOE-B/4/2
6-point	AOE-B/6/2
8-point	AOE-B/8/2
10-point	AOE-B/10/2
2 Metering element with seals	
Size 1 10 mm <sup>3</sup>	DEB-D/1/V
Size 20 20 mm <sup>3</sup>	DEB-D/20/V
Size 2 22 mm <sup>3</sup>	DEB-D/2/V
Size 3 34 mm <sup>3</sup>	DEB-D/3/V
Size 4 57 mm <sup>3</sup>	DEB-D/4/V
Size 5 110 mm <sup>3</sup>	DEB-D/5/V
Size 6 170 mm <sup>3</sup>	DEB-D/6/V
Size 7 230 mm <sup>3</sup>	DEB-D/7/V
3 Blind element	
Size 0 without	DEB-D/0/V
4 Lock screw set G 1/4	165.166-65K
5 Check valve complete	165.075-64
6 Lock screw G 1/8 complete	179.015-65K
7 Throttle screw	165.337-65