

RICAMBI E ACCESSORI

SPARE PARTS & FITTINGS

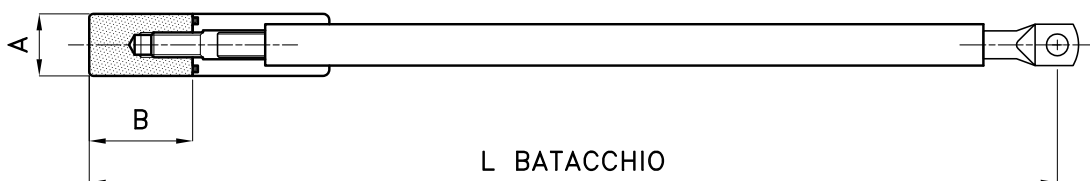




LA GAMMA • RANGE

CONTATTI CATODICI A BATAACCHIO DANGLER CATHODE CONTACTS				
Codice	Lunghezza Batacchio Mm	Sezione Cu	CAVO Ø mm	Dim. Testa Ottone
Code	Dangler Length Mm	Copper section mm ²	Cable Ø mm	Dim. Brass head (mm)
BT50060	600	50	20	30 x 50
BT50065	650			
BT50070	700			
BT50075	750			
BT50080	800			
BT50085	850			
BT50090	900			
BT50095	950			
BT50100	1000			
BTU12070	700	120	27	40 x 60
BTU12075	750			
BTU12080	800			
BTU12085	850			
BTU12090	900			
BTU12095	950			
BTU12100	1000			
BTU12110	1050			
BTU12110	1100			
BTU12115	1150			
BTU12120	1200			
BT18100	1000	180	31	40 x 80
BT18105	1050			
BT18110	1100			
BT18115	1150			
BT18120	1200			

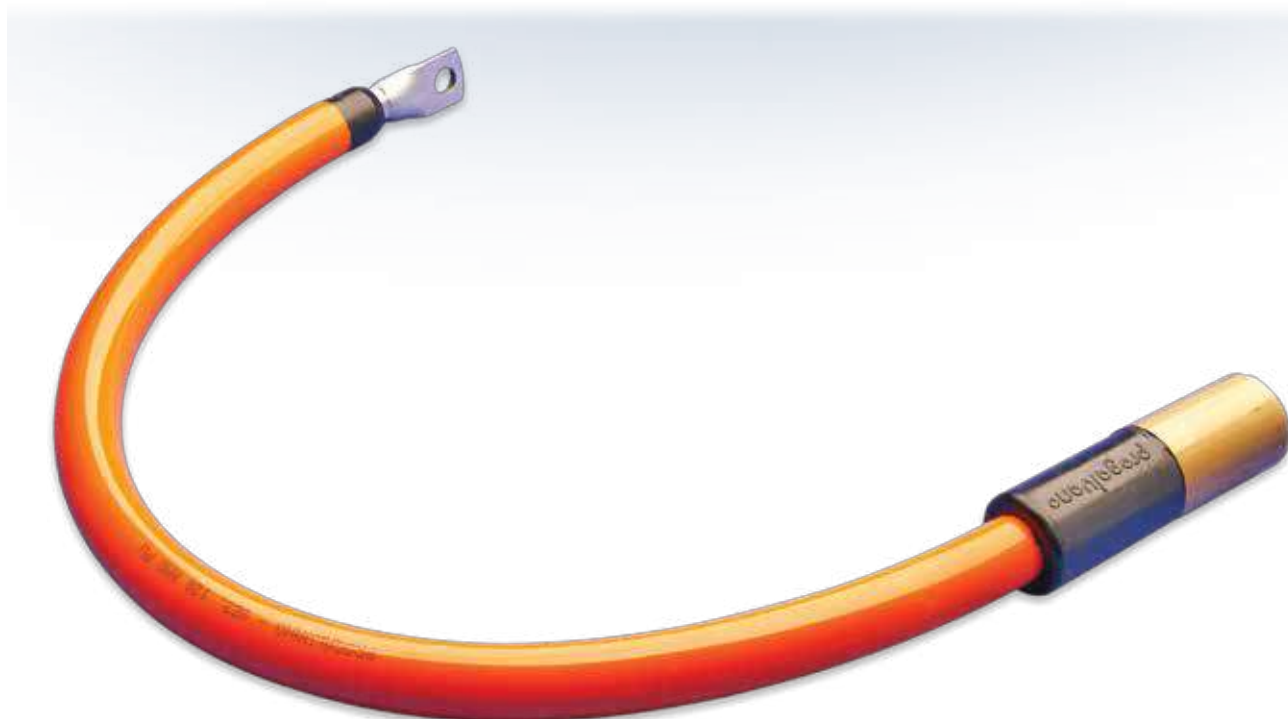
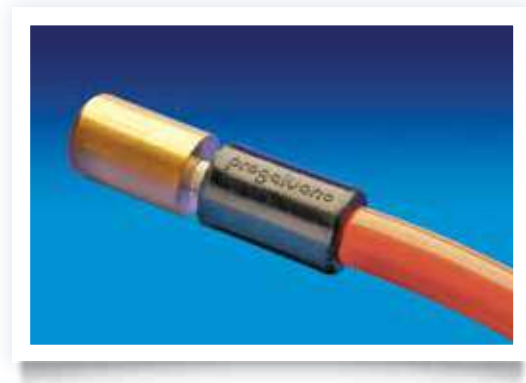
Dimensioni consigliate Suggested dangler sizes	
ROTOR EXPORT 2000	Batacchio rif.
Rotor Export 2000	Ref. Dangler
500/260	50mm ² /L=650
700/260	50mm ² /L=750
1000/260	120mm ² /L= 800
700/320	120mm ² /L= 800
1000/320	120mm ² /L=850
800/360	120mm ² /L=850
1000/360	120mm ² /L=900
1200/360	120mm ² /L=950
800/360-7	120mm ² /L=850
1000/360-7	120mm ² /L=900
1200/360-7	120mm ² /L=950
1000/420	120mm ² /L=950
1200/420	120mm ² /L=1000
1500/420	120mm ² /L=1050
1000/420-7	120mm ² /L=1000
1200/420-7	120mm ² /L=1050
1500/420-7	120mm ² /L=1100





TESTE • HEADS

Codice	MAT.	Sezione Cu	Dim. Testa
Code		Cu section mm ²	Head Dimension (mm)
LURB-80A	Ottone / Brass	50	30 x 50
LURBF80A	Ferro / Iron	50	30 x 50
LURBX80A	INOX/St. Steel	50	30 x 50
LURB-81A	Ottone / Brass	120	40 x 60
LURBF81A	Ferro / Iron	120	40 x 60
LURBX81A	INOX/St. Steel	120	40 x 60
LURB-83A	Ottone / Brass	180	40 x 80
LURBF83A	Ferro / Iron	180	40 x 80
LURBX83A	INOX/St. Steel	180	40 X 80



RICAMBI E ACCESSORI • SPARE PARTS & FITTINGS

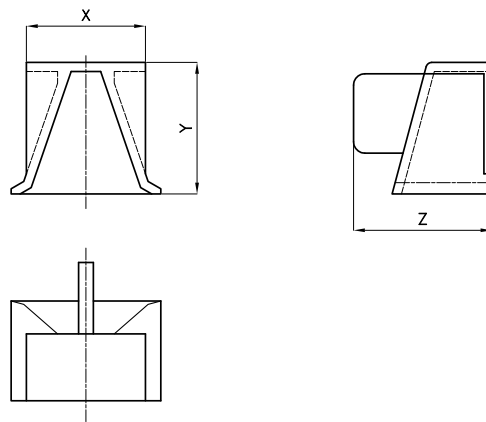


CAMPANA IN OTTONE • BRASS BELL

Modello	Codice	X	Y	Z
<i>Model</i>	<i>Code</i>			
500	FURB012A	77	87	88
1000	FURB012B	105	116	122
2000	FURB012C	134	120	125

CAMPANA IN RAME • CU BELL

2000	FAVC12C	134	120	125
------	---------	-----	-----	-----



CAMPANA PER BARRA • BELL FOR BAR

Modello	Codice	Mat
<i>Model</i>	<i>Code</i>	
2000	FAV0121	Ottone stagnato / tinned brass
	FAVC121	RAME 98% / copper 98%

