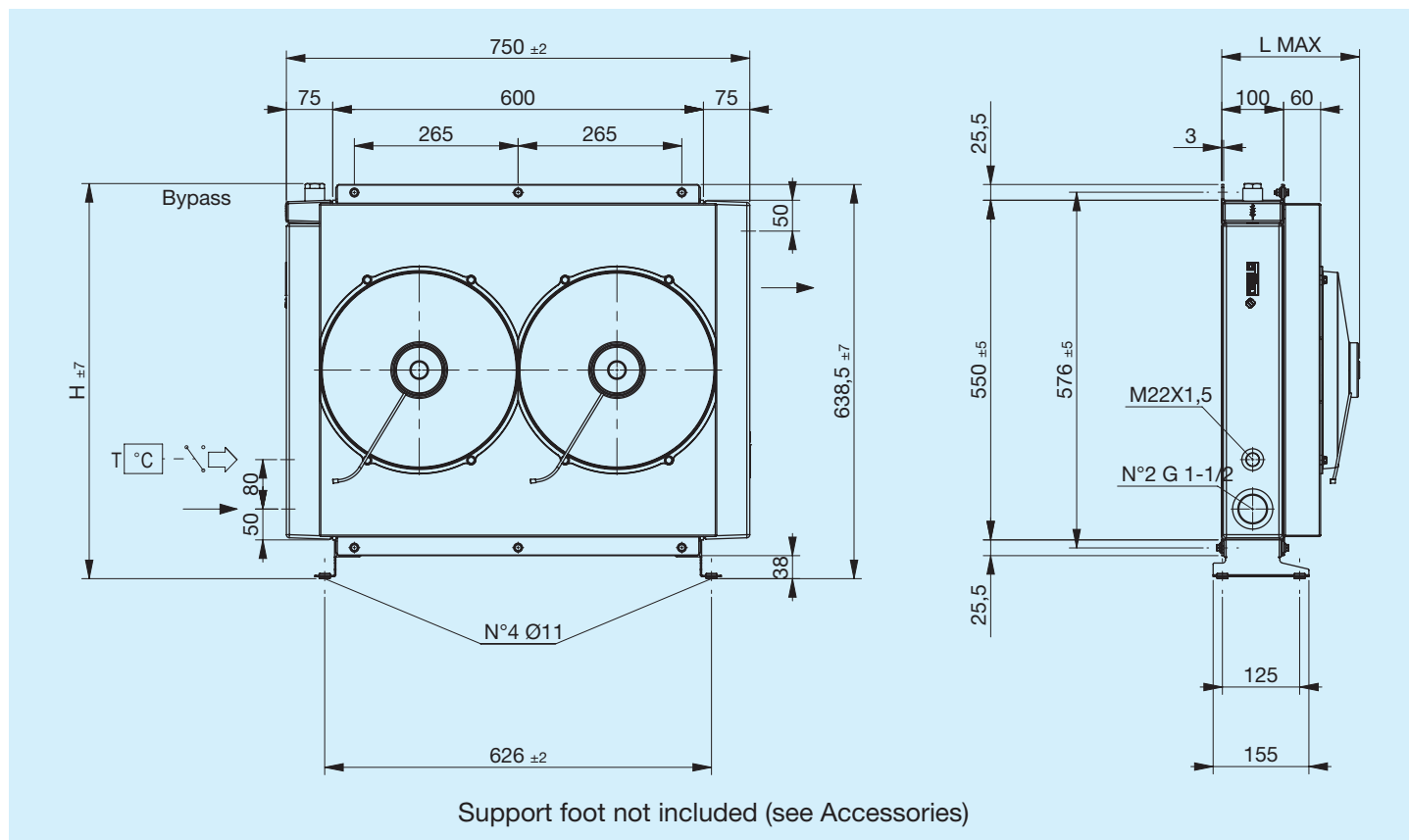


A75

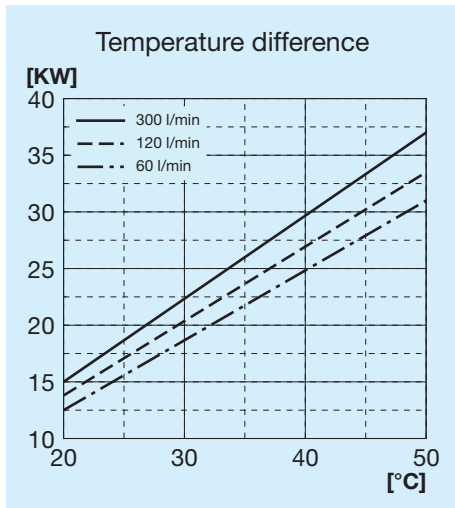


Before using the heat exchanger, carefully read the document entitled GENERAL INSTRUCTIONS FOR HEAT EXCHANGER USE.

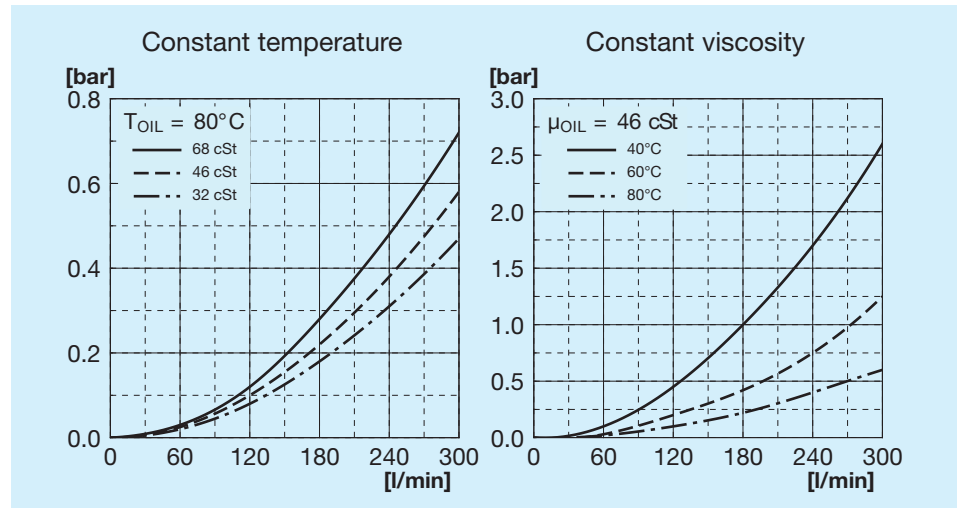


Code	Description	Fan mm	Air flow rate m³/h	Voltage V	Current A	L Max mm	H mm	Weight Kg	Capacity l
FR633143103	A75 2EAP 12V bypass T15 V.T. 3 bar 60°C	2X305	2X1610	12	2X10.6	225	640	24	14
FR633143104	A75 2ESP 12V bypass T15 V.T. 3 bar 60°C	2X305	2X1470	12	2X9.3	225	640	24	14
FR633141005	A75 2EAP 12V bypass T15 VNR 4.5 bar	2X305	2X1610	12	2X10.6	225	624	24	14
FR633141004	A75 2ESP 12V bypass T15 VNR 4.5 bar	2X305	2X1470	12	2X9.3	225	624	24	14
FR633143113	A75 2EAP 24V bypass T15 V.T. 3 bar 60°C	2X305	2X1690	24	2X5.7	225	640	24	14
FR633143114	A75 2ESP 24V bypass T15 V.T. 3 bar 60°C	2X305	2X1580	24	2X4.9	225	640	24	14
FR633141013	A75 2EAP 24V bypass T15 VNR 4.5 bar	2X305	2X1690	24	2X5.7	225	624	24	14
FR633141014	A75 2ESP 24V bypass T15 VNR 4.5 bar	2X305	2X1580	24	2X4.9	225	624	24	14
FR633140003	A75 2EAP 12V	2X305	2X1610	12	2X10.6	225	638	24	14
FR633140004	A75 2ESP 12V	2X305	2X1470	12	2X9.3	225	638	24	14
FR633140013	A75 2EAP 24V	2X305	2X1690	24	2X5.7	225	638	24	14
FR633140014	A75 2ESP 24V	2X305	2X1580	24	2X4.9	225	638	24	14

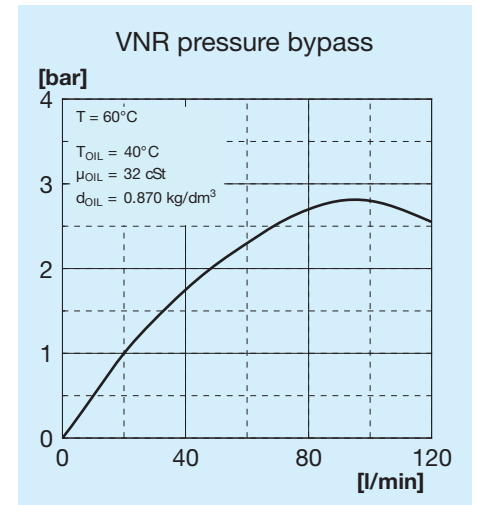
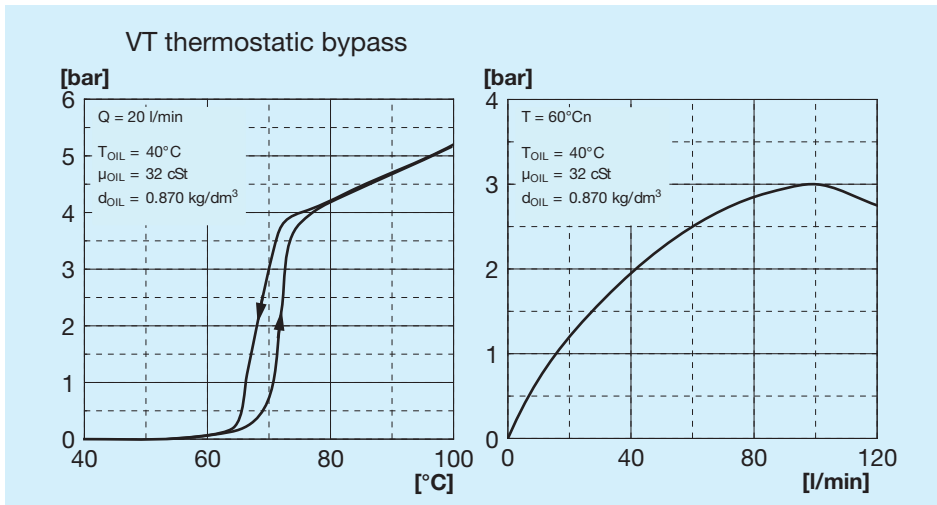
Heat exchange (thermal) capacity



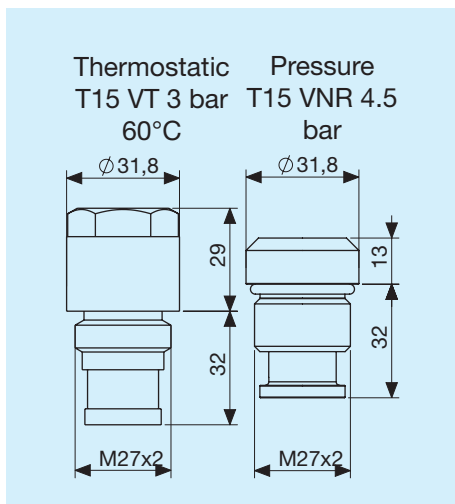
Radiator passage pressure drop



Bypass passage load loss

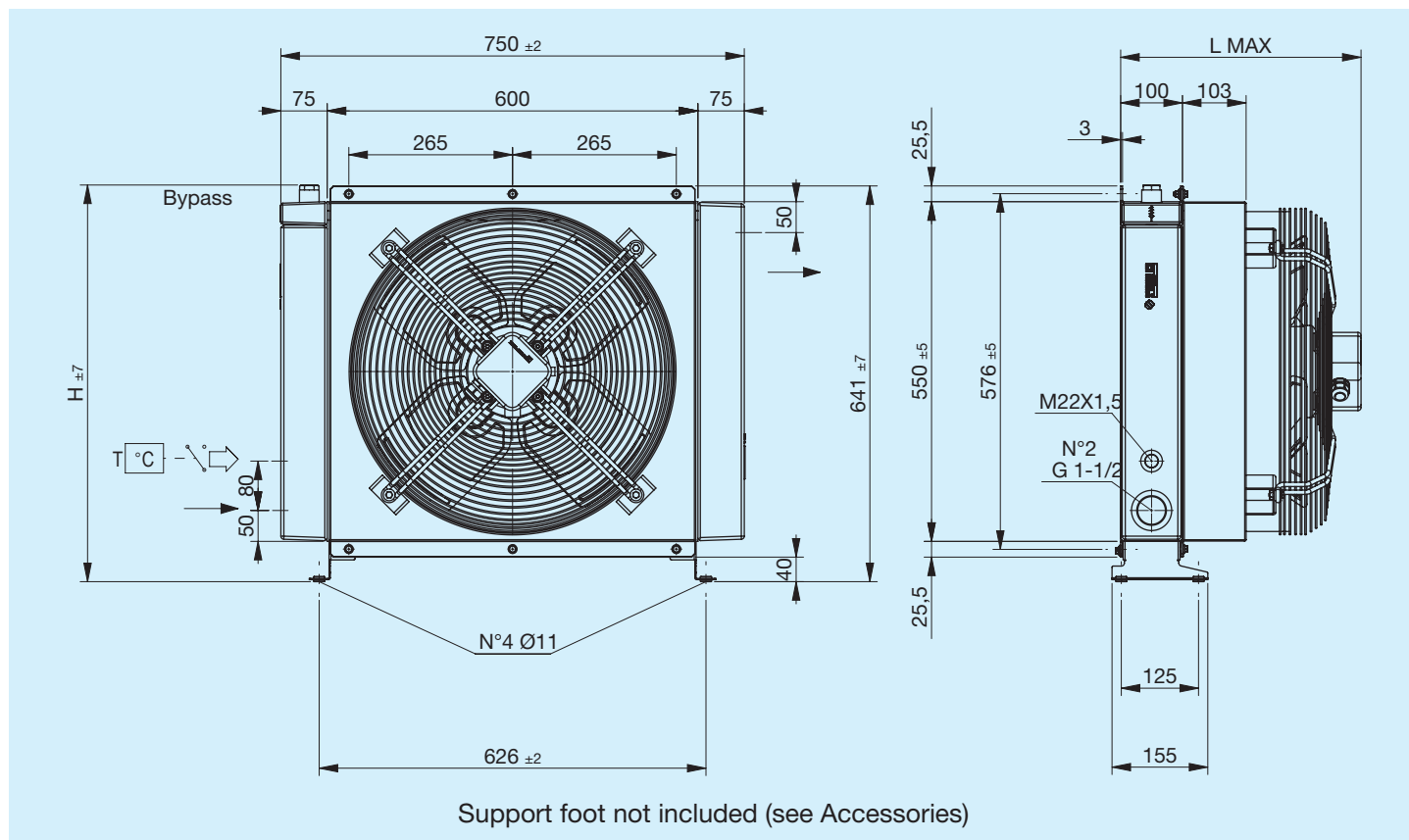


Bypass valves



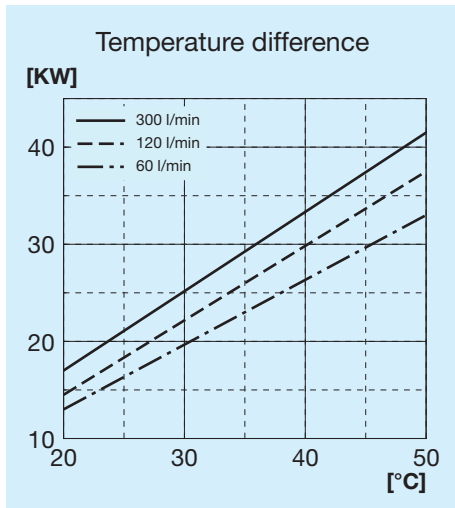
Legend

A75	Exchanger type
2E	2 Solenoid valves
A	Aspirating
S	Blowing
AP	High power aspirating
SP	High power blower
AX	Extra high power aspirating
SX	Extra high power blower
12V	Fan unit voltage
24V	Fan unit voltage
T15 VT	Thermostatic bypass valve 3 bar 60°C
T15 VNR	Pressure bypass valve at 4.5 bar

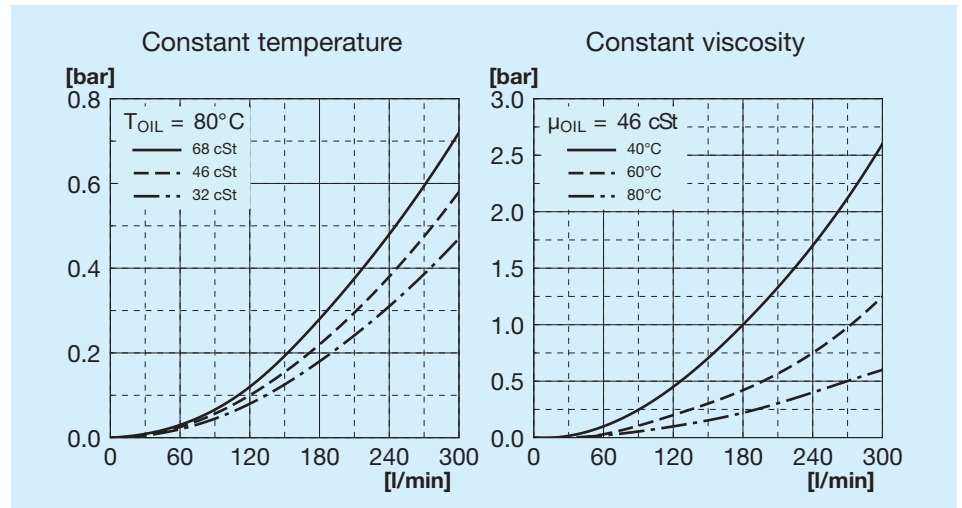


Code	Description	Fan mm	Power W	Frequen- cy Hz	Speed min ⁻¹	Pro- tection IP	L Max mm	H mm	Weight Kg	Capacity l
FR633143131	A75 1EA 230V bypass T15 V.T. 3 bar 60°C	500	640 720	50 60	1180 1300	44	269	642	25	14
FR633143132	A75 1ES 230V bypass T15 V.T. 3 bar 60°C	500	780 1100	50 60	1250 1280	44	269	642	25	14
FR633141031	A75 1EA 230V bypass T15 VNR 4.5 bar	500	640 720	50 60	1180 1300	44	269	626	25	14
FR633141032	A75 1ES 230V bypass T15 VNR 4.5 bar	500	780 1100	50 60	1250 1280	44	269	626	25	14
FR633143121	A75 1EA 400V bypass T15 V.T. 3 bar 60°C	500	750	50	1390	44	269	642	25	14
FR633143122	A75 1ES 400V bypass T15 V.T. 3 bar 60°C	500	750	50	1390	44	269	642	25	14
FR633141021	A75 1EA 400V bypass T15 VNR 4.5 bar	500	750	50	1390	44	269	626	25	14
FR633141022	A75 1ES 400V bypass T15 VNR 4.5 bar	500	750	50	1390	44	269	626	25	14
FR633140031	A75 1EA 230V	500	640 720	50 60	1180 1300	44	269	638	25	14
FR633140032	A75 1ES 230V	500	780 1100	50 60	1250 1280	44	269	638	25	14
FR633140021	A75 1EA 400V	500	750	50	1390	44	269	638	25	14
FR633140022	A75 1ES 400V	500	750	50	1390	44	269	638	25	14

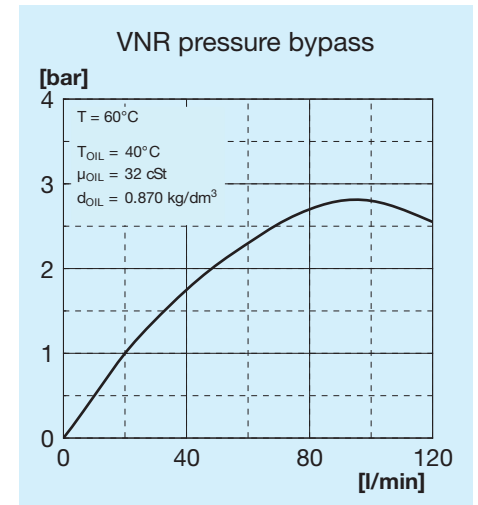
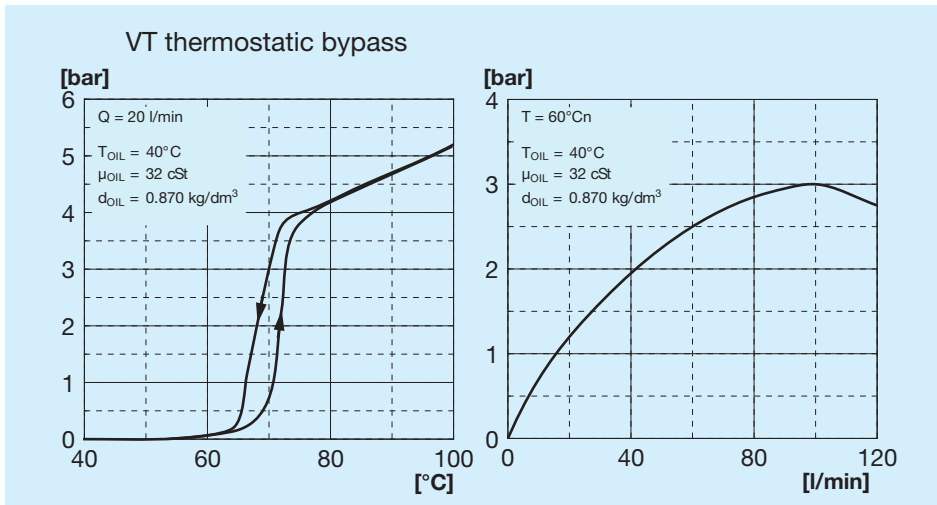
Heat exchange (thermal) capacity



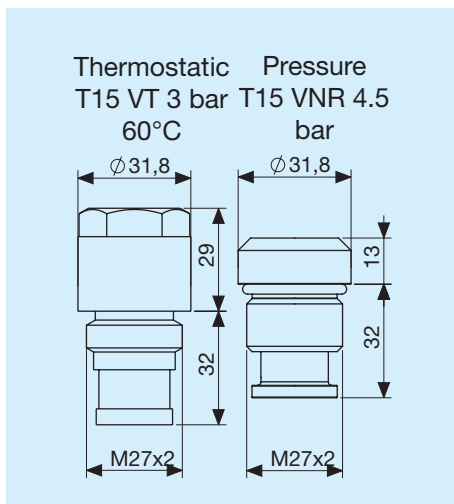
Radiator passage pressure drop



Bypass passage load loss

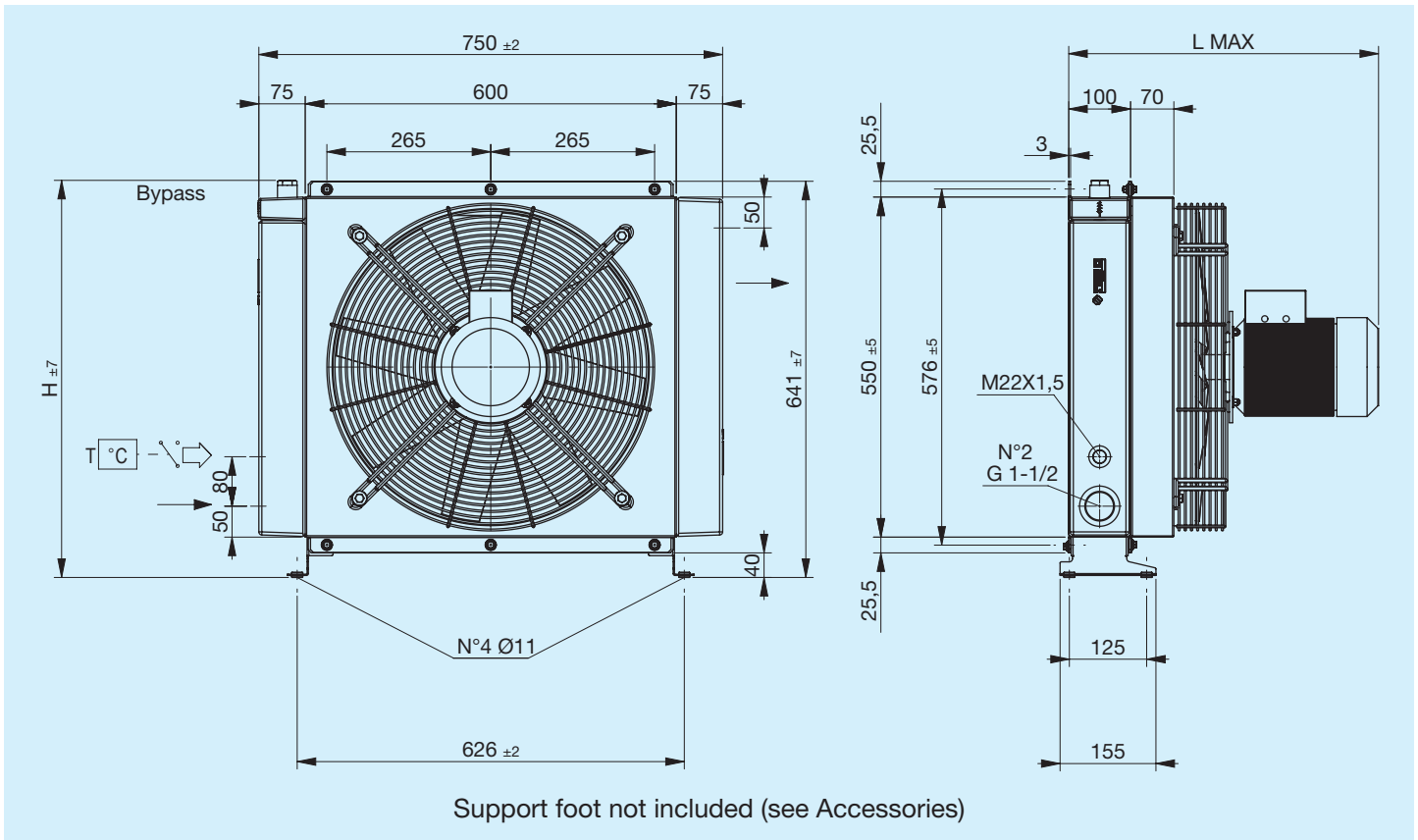


Bypass valves



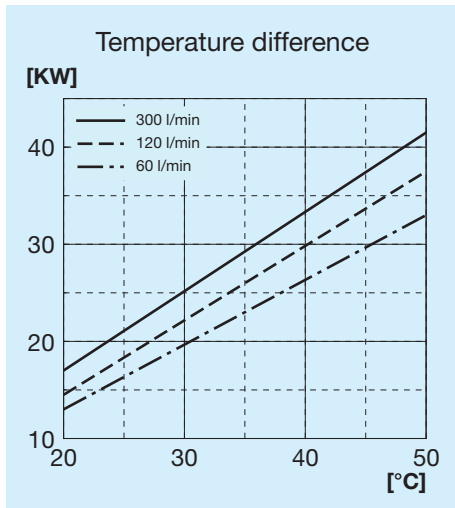
Legend

A75	Exchanger type
1E	1 Fan unit
A	Aspirating
S	Blowing
230V	Fan unit voltage
400V	Fan unit voltage
T15 VT	Thermostatic bypass valve 3 bar 60°C
T15 VNR	Pressure bypass valve at 4.5 bar

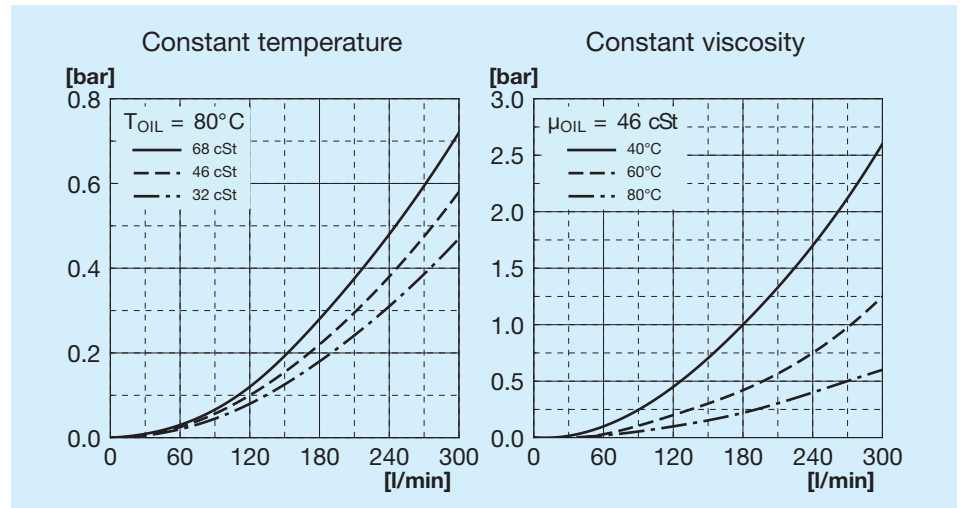


Code	Description	Fan mm	Power W	Frequen- cy Hz	Speed min ⁻¹	Pro- tection IP	L Max mm	H mm	Weight Kg	Capacity l
FR633143141	A75 1EA 230V-B14 bypass T15 V.T. 3 bar 60°C	500	750	50	1390	65	475	642	33.5	14
FR633143142	A75 1ES 230V-B14 bypass T15 V.T. 3 bar 60°C	500	750	50	1390	65	475	642	33.5	14
FR633141041	A75 1EA 230V-B14 bypass T15 VNR 4.5 bar	500	750	50	1390	65	475	626	33.5	14
FR633141042	A75 1ES 230V-B14 bypass T15 VNR 4.5 bar	500	750	50	1390	65	475	626	33.5	14
FR633143151	A75 1EA 400V-B14 bypass T15 V.T. 3 bar 60°C	500	750	50	1390	65	475	642	33.5	14
FR633143152	A75 1ES 400V-B14 bypass T15 V.T. 3 bar 60°C	500	750	50	1390	65	475	642	33.5	14
FR633141051	A75 1EA 400V-B14 bypass T15 VNR 4.5 bar	500	750	50	1390	65	475	626	33.5	14
FR633141052	A75 1ES 400V-B14 bypass T15 VNR 4.5 bar	500	750	50	1390	65	475	626	33.5	14
FR633140041	A75 1EA 230V-B14	500	750	50	1390	65	475	638	33.5	14
FR633140042	A75 1ES 230V-B14	500	750	50	1390	65	475	638	33.5	14
FR633140051	A75 1EA 400V-B14	500	750	50	1390	65	475	638	33.5	14
FR633140052	A75 1ES 400V-B14	500	750	50	1390	65	475	638	33.5	14

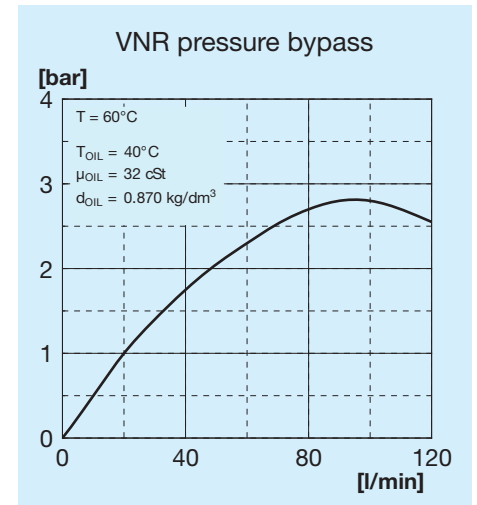
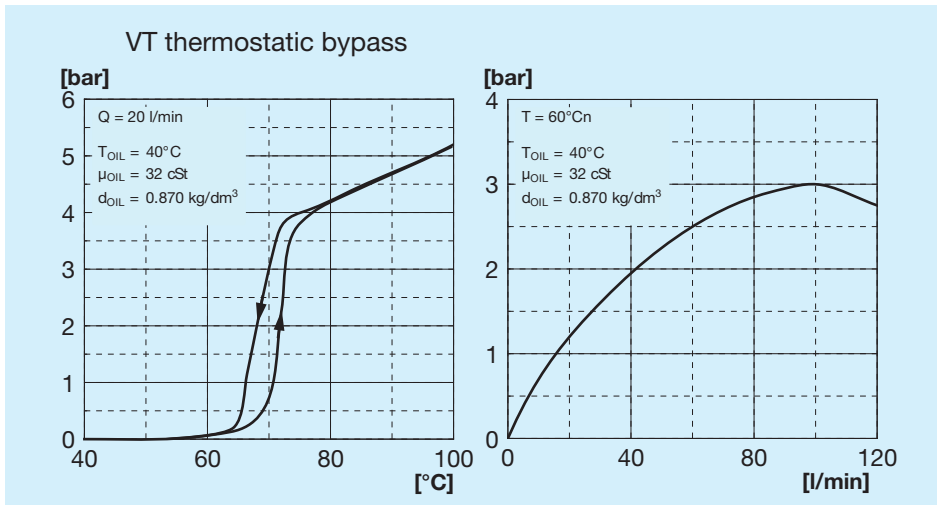
Heat exchange (thermal) capacity



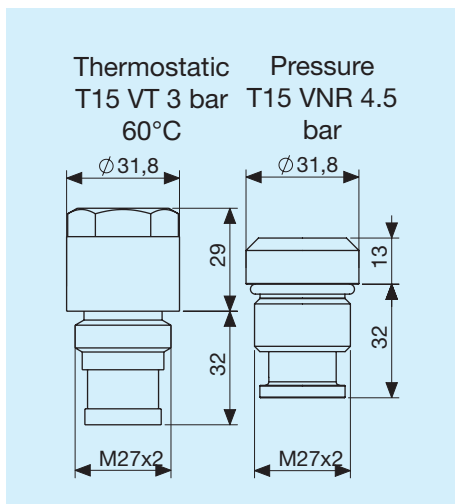
Radiator passage pressure drop



Bypass passage load loss

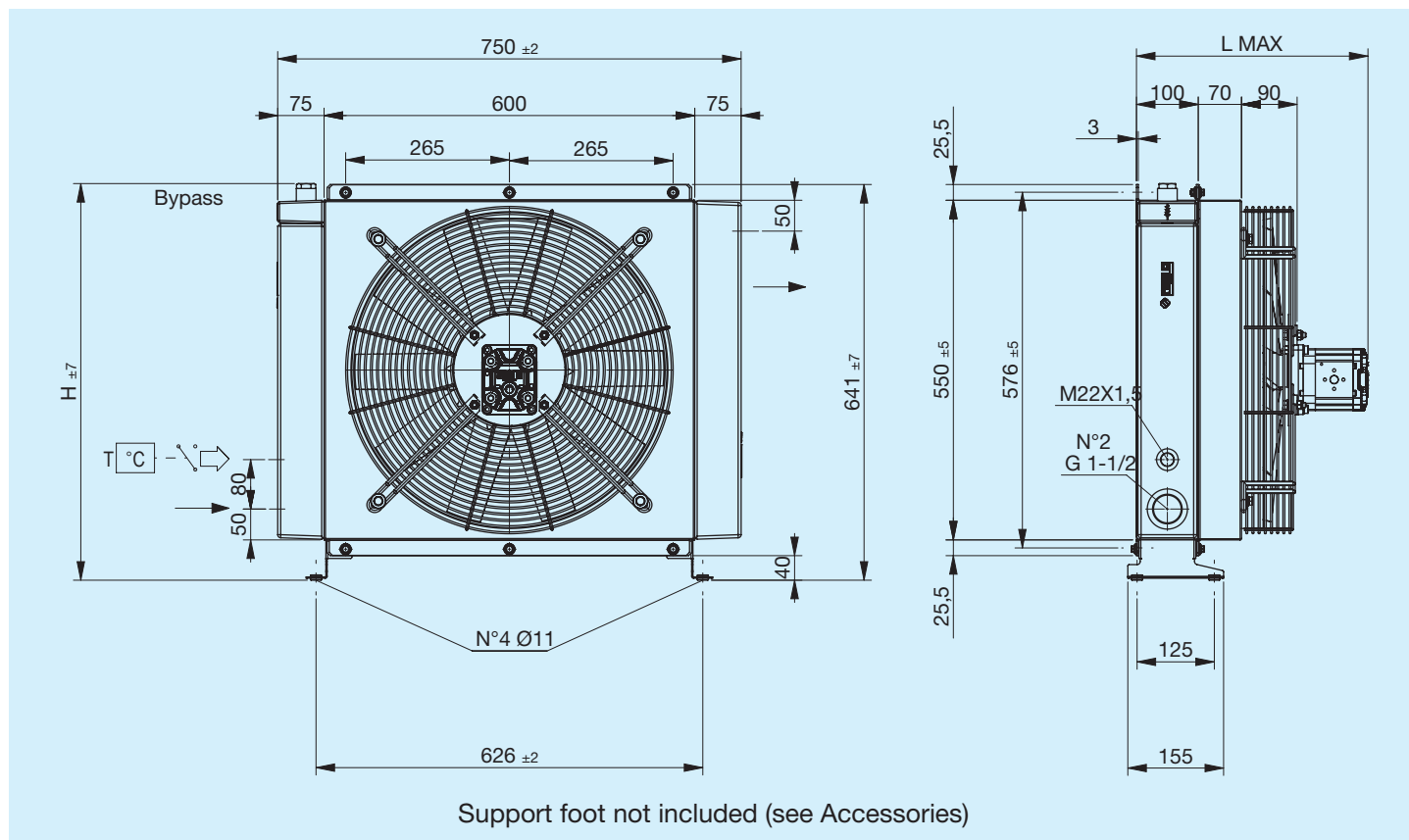


Bypass valves



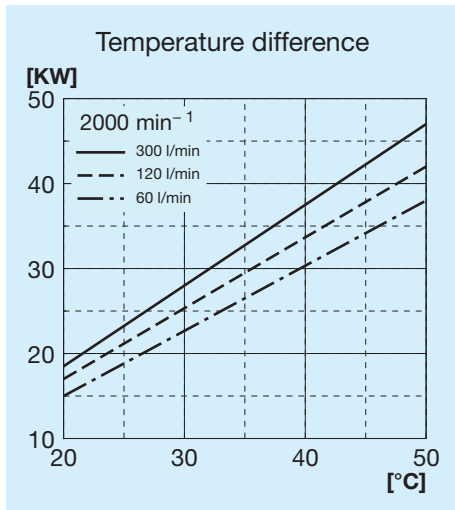
Legend

A75	Exchanger type
1E	1 Fan unit
A	Aspirating
S	Blowing
230V B14	Fan unit voltage
400V B14	Fan unit voltage
T15 VT	Thermostatic bypass valve 3 bar 60°C
T15 VNR	Pressure bypass valve at 4.5 bar

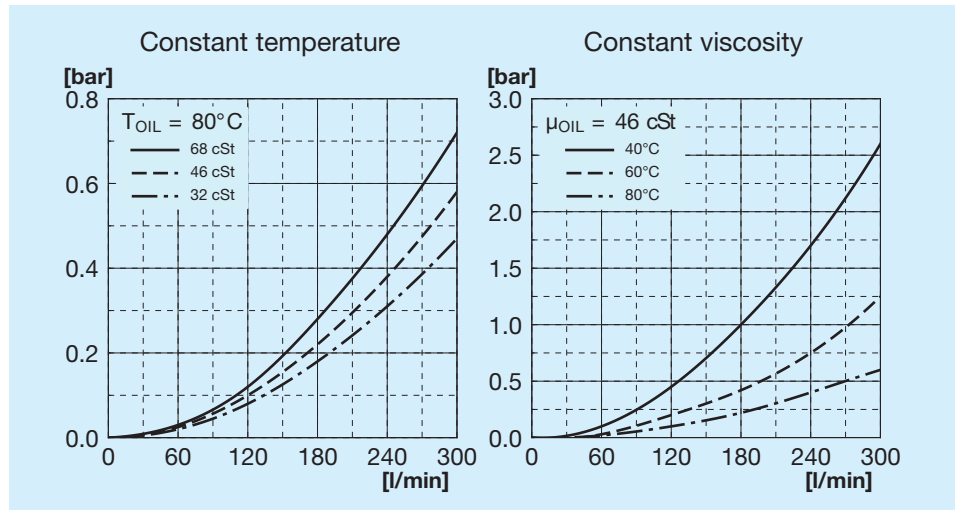


Code	Description	Ø Fan mm	Motor displace- ment cm ³	L Max mm	H mm	Weight Kg	Capacity l
FR634143103	A75 IA SETT.GR2 bypass T15 V.T. 3 bar 60°C	500	-	305	642	26	14
FR634143104	A75 IS SETT.GR2 bypass T15 V.T. 3 bar 60°C	500	-	305	642	26	14
FR634141003	A75 IA SETT.GR2 bypass T15 VNR 4.5 bar	500	-	305	626	26	14
FR634141004	A75 IS SETT.GR2 bypass T15 VNR 4.5 bar	500	-	305	626	26	14
FR634143113	A75 IA HYDR.MOT. GR2 bypass T15 V.T. 3 bar 60°C	500	11	365	642	27	14
FR634143114	A75 IS HYDR.MOT. GR2 bypass T15 V.T. 3 bar 60°C	500	11	365	642	27	14
FR634141013	A75 IA HYDR.MOT. GR2 bypass T15 VNR 4.5 bar	500	11	365	626	27	14
FR634141014	A75 IS HYDR.MOT. GR2 bypass T15 VNR 4.5 bar	500	11	365	626	27	14
FR634140003	A75 IA SETT.GR2	500	-	305	638	26	14
FR634140004	A75 IS SETT.GR2	500	-	305	638	26	14
FR634140013	A75 IA HYDR.MOT. GR2	500	11	365	638	27	14
FR634140014	A75 IS HYDR.MOT. GR2	500	11	365	638	27	14

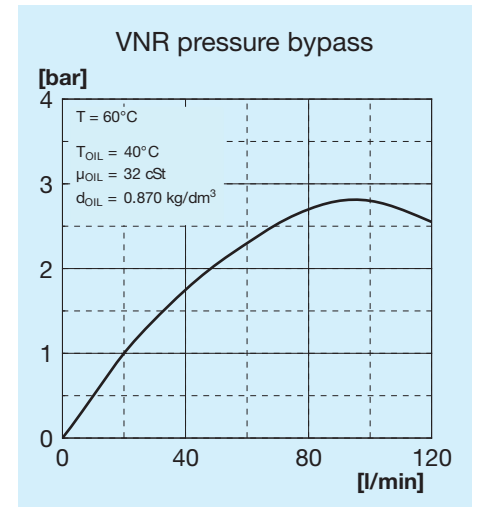
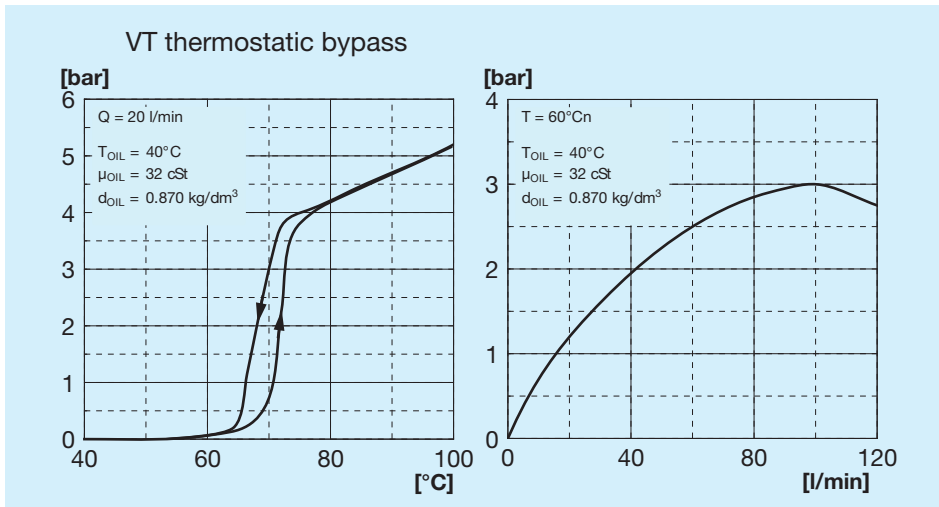
Heat exchange (thermal) capacity



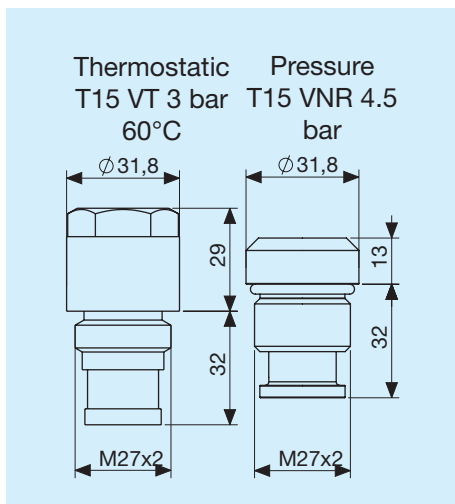
Radiator passage pressure drop



Bypass passage load loss



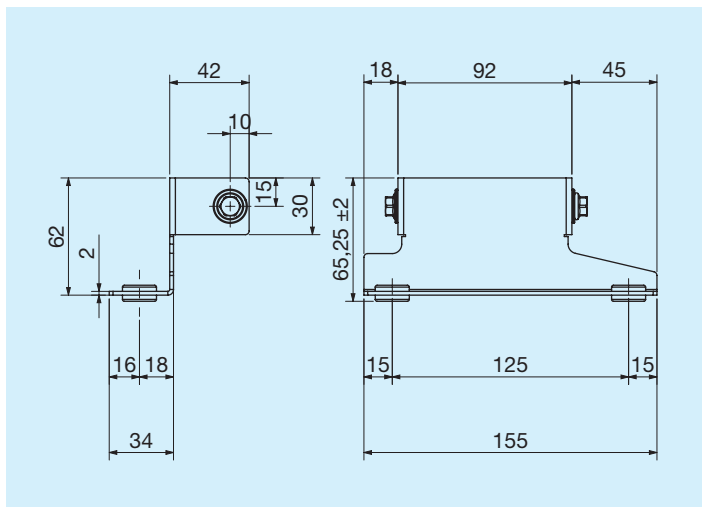
Bypass valves



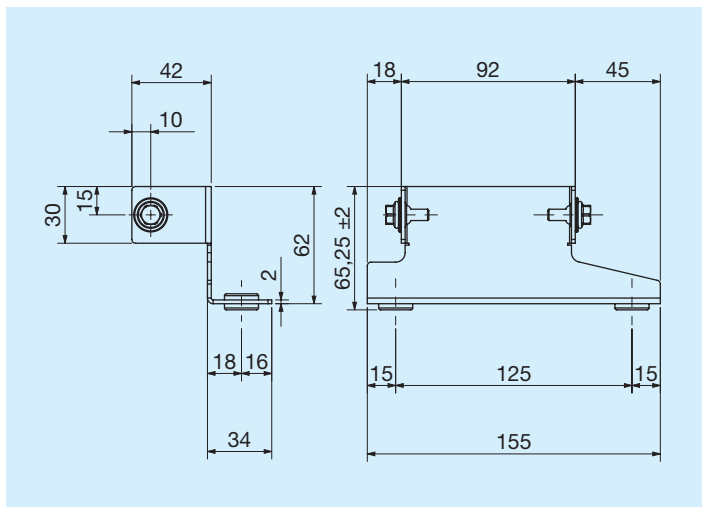
Legend

A75	Exchanger type
IA	Hydraulic aspirating
IS	Hydraulic blowing
SETT.	With motor mounting
HYD. MOT.	With integrated motor mounting
GR1	Group 1
GR2	Group 2
T15 VT	Thermostatic bypass valve 3 bar 60°C
T15 VNR	Pressure bypass valve at 4.5 bar

Left supporting foot

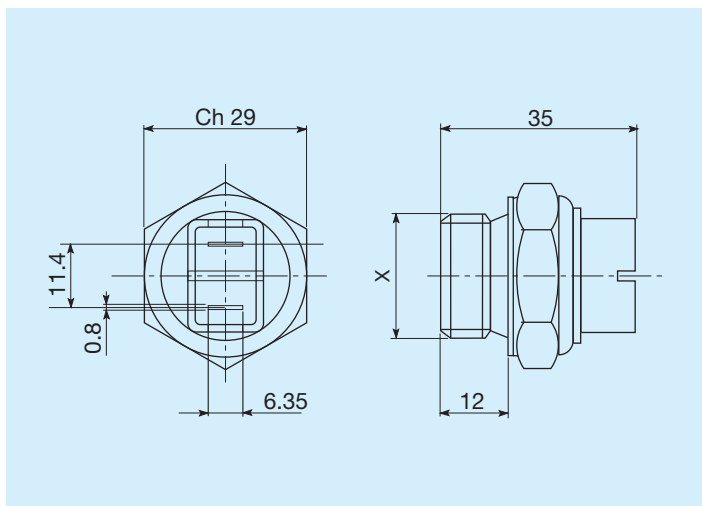


Code	
Left supporting foot	FR290000009R



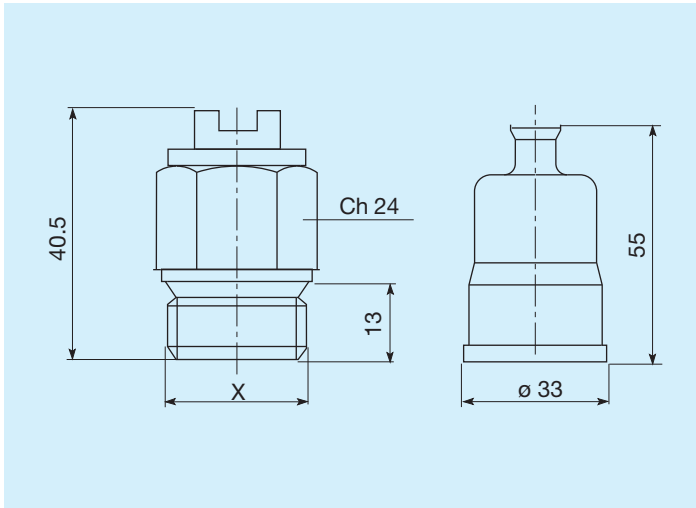
Code	
Right supporting foot	FR290000010R

Thermostats



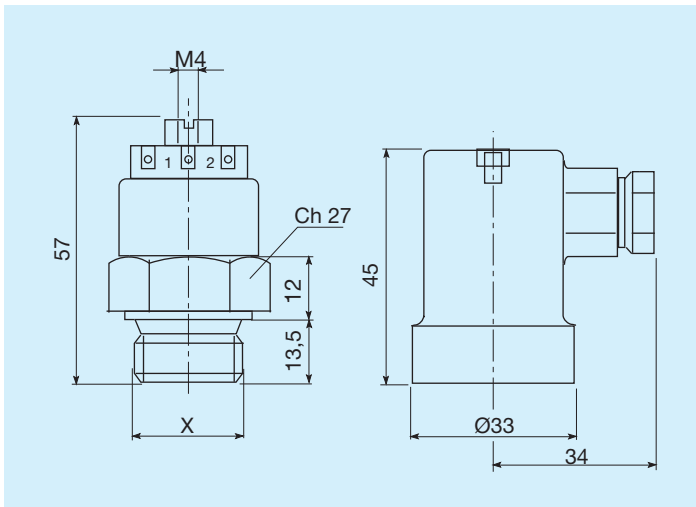
Trigger temperature C°	Threading	Code
45 - 35	M22x1.5	FR361104535R
60 - 50	M22x1.5	FR361106050R
80 - 70	M22x1.5	FR361108070R
82 - 68	M22x1.5	FR361108268R
85 - 76	M22x1.5	FR361108576R

IP54 protected thermal switch



Trigger temperature C°	Threading	Code
45 - 35	M22x1.5	FR361124535R
50 - 40	M22x1.5	FR361125040R
60 - 50	M22x1.5	FR361126050R
70 - 60	M22x1.5	FR361127060R
80 - 70	M22x1.5	FR361128070R

IP65 protected thermal switch



Trigger temperature C°	Threading	Code
45 - 35	M22x1.5	FR361154535R
47 - 36	M22x1.5	FR361155040R
60 - 50	M22x1.5	FR361176050R
80 - 70	M22x1.5	FR361158070R