

Single-Axis Controller

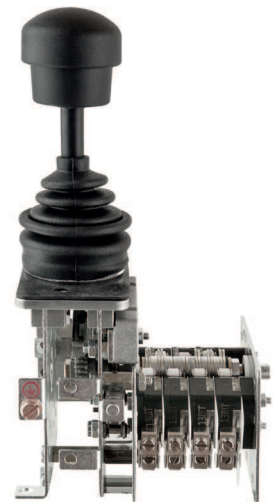
S2 / SS2 / S21



The Single-Axis Controller S2 / SS2 / S21 is a robust switching device for remote controlled and electrohydraulic applications. The modular design of the switching device is universally applicable.

Technical data

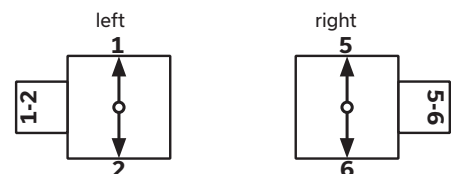
Mechanical life S2 / S21	6 million operating cycles
Mechanical life SS2	10 million operating cycles
Operating temperature	-40°C to +85°C
Degree of protection	Up to IP54



	S2L	S5	T	- 02 Z P	- A050 P134	- X
Basic unit						
S2L	Single-Axis Controller left					
Control-handle extended						
S5	-20 mm					
Grip / Palm Grip						
T	Dead man					
Axis 1 (direction 1-2)						
02	3 contacts (2A 250 V AC15)					
Z	Spring return					
P	Potentiometer					
Description axis 1 (direction 1-2)						
A050	Arrangement MSP21-0					
P134	Potentiometer T396 2 x 5 kOhm					
Special model						
X	Special / customer specified					

	S2L	S5	T	- 02 Z P	- A050 P134	- X
Basic unit						
S2L	Single-Axis Controller left					
S2R	Single-Axis Controller right					
S21L	Single-Axis Controller left with flange 96 x 96 mm					
S21R	Single-Axis Controller right with flange 96 x 96 mm					
Reinforced version						
SS2L	Single-Axis Controller left					
SS2R	Single-Axis Controller right					
SS21L	Single-Axis Controller left with flange 96 x 96 mm					
SS21R	Single-Axis Controller right with flange 96 x 96 mm					
Control-handle extended						
	Standard					
S5	-20 mm					
S8	+20 mm					

Identification of the installation variants with switching directions:



Technical details may vary based on configuration or application! Technical data subject to change without notice!

Combination possibilities with our handles (valid for Single-Axis Controller S21)



S2L S5 T - 02 Z P - A050 P134 - X

Grip / Palm Grip	
	Knob (standard)
M	Mechanical zero interlock
MN	Mechanical zero interlock (push down)
T	Dead man
MT	Mechanical zero interlock + dead man
H	Signal button
MH	Mechanical zero interlock + signal button
D	Push button
MD	Mechanical zero interlock + push button
DV	Flush push button
MDV	Mechanical zero interlock + flush push button
B...	Palm Grip B... (see page palm grip 161)

S2L S5 T - 02 Z P - A050 P134 - X

Axis 1: direction 1-2 left / direction 5-6 right		
02	3 contacts	Standard contact - arrangement see page 127
03	5 contacts	z.B.
04	7 contacts	A98 MS0
05	9 contacts	A05 MS21
		A0500 MS21-00
		A110 MS24-0
		A99 contact - arrangement according customer request
Z	Spring return	
R	Friction brake	
(P)	Possibility of mounting potentiometer and encoder (Gessmann-types)	
P	Potentiometer	P131 T396 2 x 0,5 kOhm I max. 1 mA
		P132 T396 2 x 1 kOhm I max. 1 mA
		P133 T396 2 x 2 kOhm I max. 1 mA
		P134 T396 2 x 5 kOhm I max. 1 mA
		P135 T396 2 x 10 kOhm I max. 1 mA
		More potentiometers on request!
C	Encoder	C... Encoder see page 157

S2L S5 T - 02 Z P - A050 P134 - X

Special model	
X	Special / customer specified
X1	Microswitch (MZT 1) positively driven NC contact

Attachments	
	Indicating labels
	Indicating labels with engraving

Technical details may vary based on configuration or application! Technical data subject to change without notice!

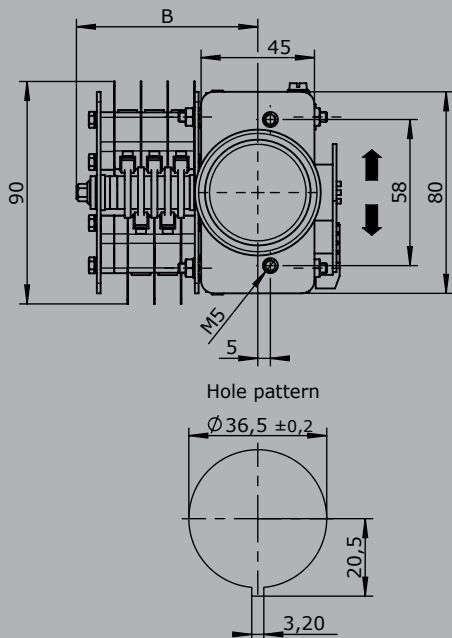
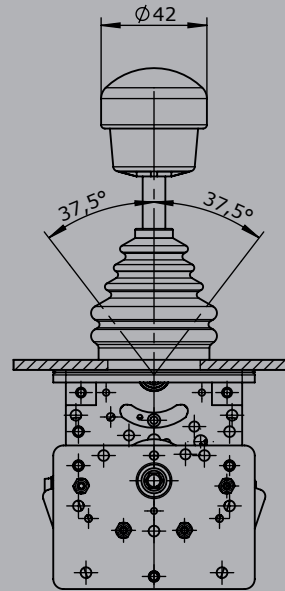
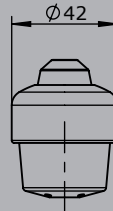
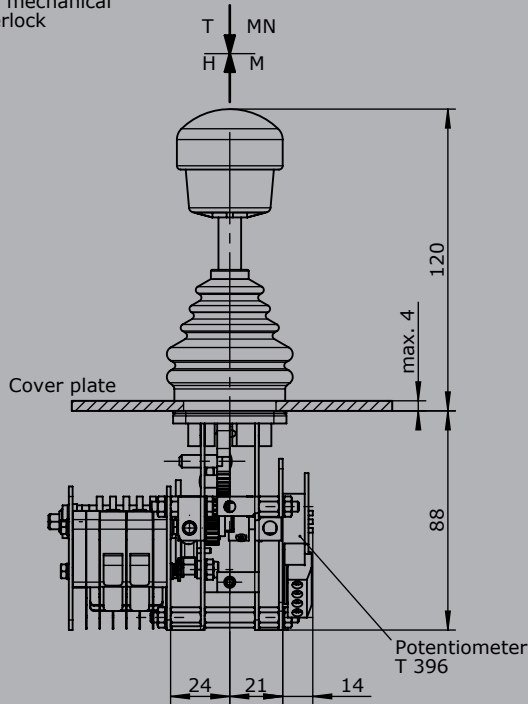
Single-Axis Controller

S2 / SS2

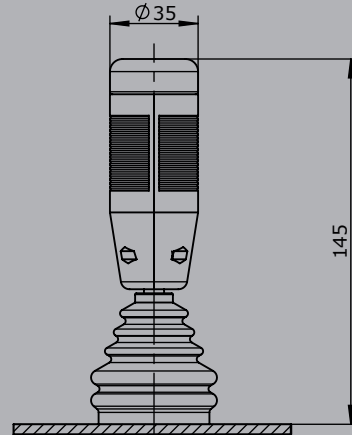


T = Dead man's button
 H = Signal button
 M = Latch for mechanical zero interlock

Knob solid
 D = Push button



Palm grip B5
 B5 T = Dead man's button



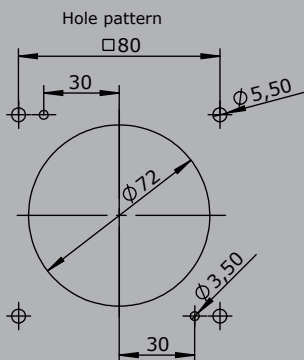
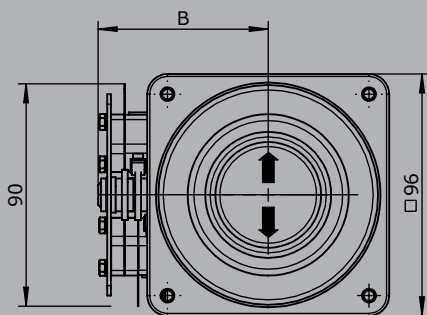
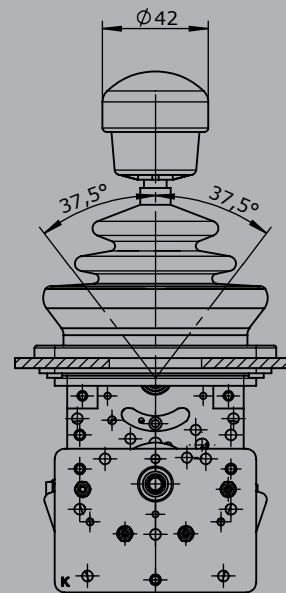
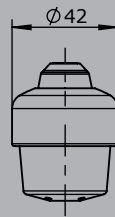
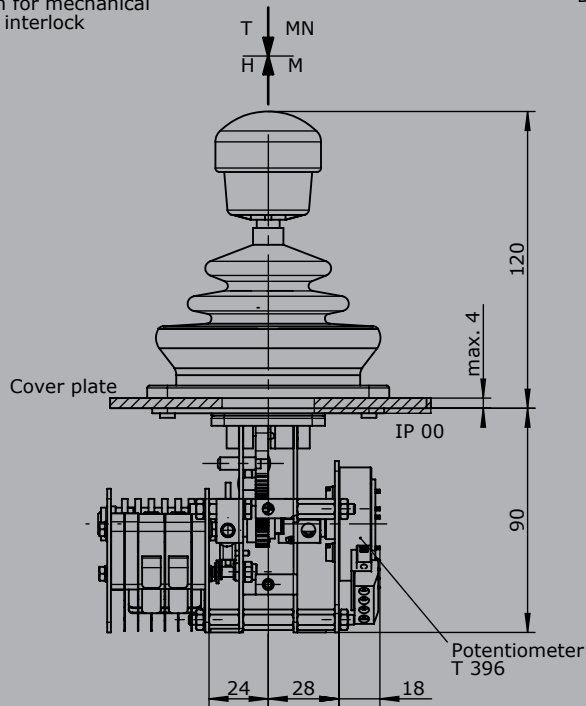
Type	No. of contacts	Maß B
02	3	25
03	5	31
04	7	36
05	9	42

Single-Axis Controller S21

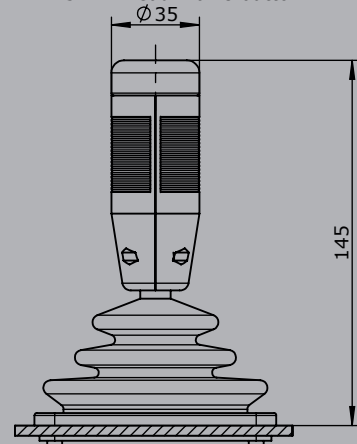


T = Dead man's button
H = Signal button
M = Latch for mechanical zero interlock

Knob solid
D = Push button



Palm grip B5
B5 T = Dead man's button



Type	No. of contacts	Maß B
02	3	62
03	5	72
04	7	83
05	9	93