



aerospace  
climate control  
electromechanical  
filtration  
fluid & gas handling  
hydraulics  
**pneumatics**  
process control  
sealing & shielding



# P3X Series Moduflex Lite Air preparation system

G1/2 & G3/4 Body ported

Catalogue no. PDE2620TCUK - October 2009



ENGINEERING YOUR SUCCESS.

# Table of Contents

---

Recommended wall mountings .....	4
Popular combinations .....	5
Filters .....	6 - 7
Coalescing filters .....	8 - 9
Adsorber filters .....	10 - 11
Regulators .....	12 - 13
Filter regulators .....	14 - 15
Lubricators .....	16 - 17
Modular slide valve .....	18
Modular manifold .....	18
Accessories .....	19



### WARNING

FAILURE OR IMPROPER SELECTION OR IMPROPER USE OF THE PRODUCTS AND/OR SYSTEMS DESCRIBED HEREIN OR RELATED ITEMS CAN CAUSE DEATH, PERSONAL INJURY AND PROPERTY DAMAGE.

This document and other information from Parker Hannifin Corporation, its subsidiaries and authorized distributors provide product and/or system options for further investigation by users having technical expertise. It is important that you analyze all aspects of your application and review the information concerning the product or system in the current product catalog. Due to the variety of operating conditions and applications for these products or systems, the user, through its own analysis and testing, is solely responsible for making the final selection of the products and systems and assuring that all performance, safety and warning requirements of the application are met. The products described herein, including without limitation, product features, specifications, designs, availability and pricing, are subject to change by Parker Hannifin Corporation and its subsidiaries at any time without notice.

### SALE CONDITIONS

The items described in this document are available for sale by Parker Hannifin Corporation, its subsidiaries or its authorized distributors. Any sale contract entered into by Parker will be governed by the provisions stated in Parker's standard terms and conditions of sale (copy available upon request).

**The System**

The P3X system allows units to be connected together, without the use of pipe connectors, saving space; providing constant mounting centres; whilst maintaining a modern aesthetically pleasing appearance.

The P3X Filters are specially designed to efficiently filter out rust, dirt, moisture and other impurities from compressed air lines. Operation is fully automatic with a minimum of pressure drop. Coalescing filters and adsorber filters for high purity air are also included in the P3X series.

The P3X Regulators are designed to provide quick response and accurate pressure regulation for the most demanding hi-flow industrial applications. The rolling diaphragm was designed for long trouble-free operation and will not rupture or tear under high cycle or other demanding applications.

The P3X mist lubricators are designed to provide lubrication for many general purpose applications in a pneumatic system.



**New Technology**

The Moduflex Lite FRL system is constructed from ultra light weigh technopolymers instead of the traditional aluminium or zinc die cast, this means that is up to 45% lighter than conventional units. This non-metal construction also means that the Moduflex Lite is corrosion free enabling it to be used in harsh industrial environments where anti freeze or aggressive synthetic oils are present.

The use of technopolymers in the design of Moduflex Lite has facilitated a universal body design, this has resulted in reducing the number of variants required to cover the full spectrum of applications. This can dramatically lower logistic costs and simplify stock holding for customers making the Moduflex Lite a very cost effective solution.



# Nano Mist

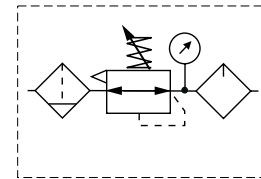
**New Nano Mist Technology,  
New Lubricator Concept.  
Self-Adjusting.**

With conventional lubricators, only the oil volume per time unit can be adjusted. If the demand changes, the quantity dispensed still remains constant.

The Moduflex Lite lubricator concept sets new benchmarks here. For the first time, the oil volume is automatically adjusted to the flow rate. This ensures that there is neither too little nor too much oil in the system, which leads to clear economic and ecological advantages. In addition, with conventional systems, the distance between the lubricator and the equipment has to be less than 8 meters. With larger distances, the dispensed oil is deposited as a wall flow. The new lubricator principle of the Moduflex Lite allows for distances of up to 40 meters. This opens up new scope for the design of even more efficient production systems.

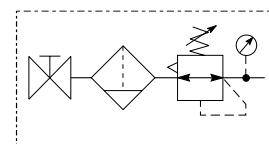


**Popular Combinations**



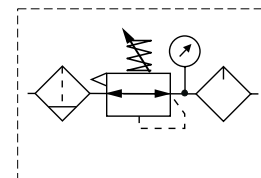
**Slide Valve + Filter/Regulator + Lubricator Combinations**  
**5 micron element, 8 bar Regulator + Gauge and Wall Mounting Brackets**

Port size	Combined Manual/Semi-Auto Drain	Flow dm <sup>3</sup> /s	Weight (g)	Auto Drain	Flow dm <sup>3</sup> /s	Weight (g)
G <sup>1</sup> / <sub>2</sub>	<b>P3XAA14GECNGPNW</b>	76	1300	<b>P3XAA14GEANGPNW</b>	76	1300
G <sup>3</sup> / <sub>4</sub>	<b>P3XAA16GECNGPNW</b>	77	1300	<b>P3XAA16GEANGPNW</b>	77	1300



**Slide Valve + Filter/Regulator Combinations**  
**5 micron element, 8 bar Regulator + Gauge and Wall Mounting Brackets**

Port size	Combined Manual/Semi-Auto Drain	Flow dm <sup>3</sup> /s	Weight (g)	Auto Drain	Flow dm <sup>3</sup> /s	Weight (g)
G <sup>1</sup> / <sub>2</sub>	<b>P3XAN14GECNGW</b>	105	950	<b>P3XAN14GEANGW</b>	105	950
G <sup>3</sup> / <sub>4</sub>	<b>P3XAN16GECNGW</b>	106	950	<b>P3XAN16GEANGW</b>	106	950



**Filter/Regulator + Lubricator Combinations**  
**5 micron element, 8 bar Regulator + Gauge and Wall Mounting Brackets**

Port size	Combined Manual/Semi-Auto Drain	Flow dm <sup>3</sup> /s	Weight (g)	Auto Drain	Flow dm <sup>3</sup> /s	Weight (g)
G <sup>1</sup> / <sub>2</sub>	<b>P3XCA14GECNGPNW</b>	76	1000	<b>P3XCA14GEANGPNW</b>	76	1000
G <sup>3</sup> / <sub>4</sub>	<b>P3XCA16GECNGPNW</b>	77	1000	<b>P3XCA16GEANGPNW</b>	77	1000

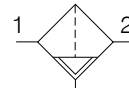
**Options:**

<b>P 3 X</b>				<b>GE</b>		<b>N</b>		<b>PN</b>	<b>W</b>
Filter/Reg + Lubricator	<b>CA</b>	BSPP (G) <b>1</b>		Combined Manual/Semi Auto Drain	<b>C</b>	0 - 8 bar with gauge	<b>G</b>		
Slide valve + Filter/Reg	<b>AN</b>	NPT * <b>9</b>		Auto Drain	<b>A</b>	0 - 16 bar with gauge	<b>J</b>		
Slide valve + Filter/Reg + Lubricator	<b>AA</b>								
			1/2 <b>4</b>						
			3/4 <b>6</b>						
* NPT ports on request 1/2" size only									
Add only for options with lubricator									

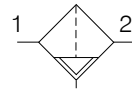
**Filter**



**Symbols**



Manual / Semi auto drain



Auto drain

- Integral 1/2 or 3/4" ports
- 2 stage filtration
- High efficiency 5µ particulate element as standard
- Excellent water removal efficiency

**Options:**

<b>P 3 X F A</b>	□	□	□	□	<b>G</b>	□	<b>N</b>														
<table border="1" style="width: 100%; border-collapse: collapse;"> <tr> <td style="padding: 2px;">BSPP (G)</td> <td style="text-align: center; padding: 2px;"><b>1</b></td> </tr> <tr> <td style="padding: 2px;">NPT *</td> <td style="text-align: center; padding: 2px;"><b>9</b></td> </tr> </table>	BSPP (G)	<b>1</b>	NPT *	<b>9</b>	<table border="1" style="width: 100%; border-collapse: collapse;"> <tr> <td style="padding: 2px;">1/2</td> <td style="text-align: center; padding: 2px;"><b>4</b></td> </tr> <tr> <td style="padding: 2px;">3/4</td> <td style="text-align: center; padding: 2px;"><b>6</b></td> </tr> </table>	1/2	<b>4</b>	3/4	<b>6</b>	<table border="1" style="width: 100%; border-collapse: collapse;"> <tr> <td style="padding: 2px;">5 Micron Element Standard</td> <td style="text-align: center; padding: 2px;"><b>E</b></td> </tr> <tr> <td style="padding: 2px;">40 Micron Element Optional</td> <td style="text-align: center; padding: 2px;"><b>G</b></td> </tr> <tr> <td style="padding: 2px;">1 Micron Dust Filter</td> <td style="text-align: center; padding: 2px;"><b>2</b></td> </tr> </table>	5 Micron Element Standard	<b>E</b>	40 Micron Element Optional	<b>G</b>	1 Micron Dust Filter	<b>2</b>	<table border="1" style="width: 100%; border-collapse: collapse;"> <tr> <td style="padding: 2px;">Combined Manual/Semi Auto Drain</td> <td style="text-align: center; padding: 2px;"><b>C</b></td> </tr> <tr> <td style="padding: 2px;">Auto Drain</td> <td style="text-align: center; padding: 2px;"><b>A</b></td> </tr> </table>	Combined Manual/Semi Auto Drain	<b>C</b>	Auto Drain	<b>A</b>
BSPP (G)	<b>1</b>																				
NPT *	<b>9</b>																				
1/2	<b>4</b>																				
3/4	<b>6</b>																				
5 Micron Element Standard	<b>E</b>																				
40 Micron Element Optional	<b>G</b>																				
1 Micron Dust Filter	<b>2</b>																				
Combined Manual/Semi Auto Drain	<b>C</b>																				
Auto Drain	<b>A</b>																				
<p>* NPT ports on request                      1/2" size only</p>																					

Port size	Description	Order Code	Flow dm <sup>3</sup> /s *	Max bar	Min temp °C	Max temp °C	Bowl capacity cm <sup>3</sup>	Height mm	Width mm	Depth mm	Weight g
1/2	Combined manual/ semi auto drain	<b>P3XFA14EGCN</b>	55	16	-10	60	60	192	62	62	320
1/2	Auto drain	<b>P3XFA14EGAN</b>	55	16	-10	60	60	192	62	62	320
3/4	Combined manual/ semi auto drain	<b>P3XFA16EGCN</b>	57	16	-10	60	60	192	62	62	320
3/4	Auto drain	<b>P3XFA16EGAN</b>	57	16	-10	60	60	192	62	62	320

\* flow with 6,3 bar inlet pressure and 0,5 pressure drop.



**Technical Information**

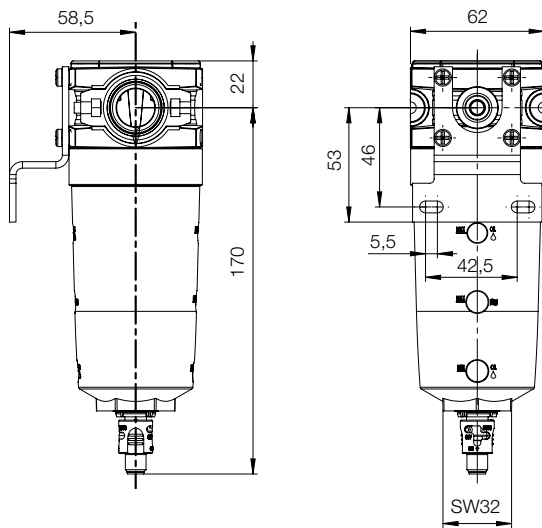
Fluid:	Compressed air
Maximum inlet pressure:	16 bar
Temperature range*:	-10°C to +60°C
Particle removal:	1, 5 & 40 micron
Air quality:	Within ISO 8573-1 : 1991 Class 3 and 5 (particulates) Within ISO 8573-1 : 2001 Class 6 and 7 (particulates)
Typical flow with 5µm element 6,3 bar inlet pressure and 0.5 bar pressure drop:	1/2" size 55 dm³/s
Semi-auto drain: bowl pressure to close drain	0.8 bar
Auto drain: bowl pressure to close drain Operating range manual override facility	0.8 bar 0.8 to 16 bar
Bowl sump capacity:	60 cm³

\* Air supply must be dry enough to avoid ice formation at temperatures below +2°C

**Material Specification**

Body:	High tech polymer
Sight glass:	Polypropylene
Body cover:	ABS
Element:	Sintered P.E.
Seals:	Nitrile NBR
Drains:	Manual / Semi-auto: Acetal Automatic: PA / Brass

**Dimensions (mm)**

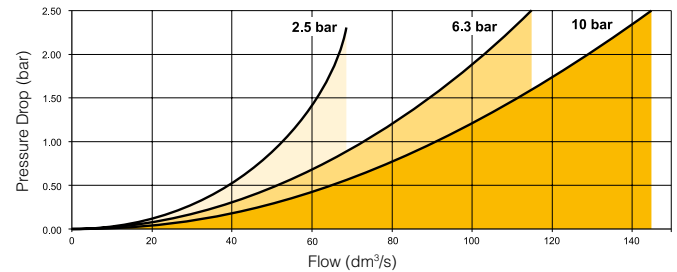


**Service kits**

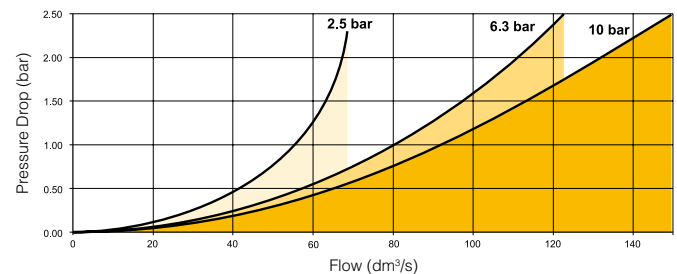
Description	Order code
5 micron element kit	<b>P3XKA00ESE</b>
40 micron element kit	<b>P3XKA00ESG</b>
Bowl kit with combines manual/semi auto drain	<b>P3XKA00BSC</b>
Bowl kit with auto drain	<b>P3XKA00BSA</b>
1 micron element kit	<b>P3XKA00ES9</b>

**Flow characteristics**

**(1/2) 5 Micron Filter**



**(3/4) 5 Micron Filter**



**Coalescing Filter**



- Integral 1/2 or 3/4 ports
- Removes liquid aerosols and sub micron particles
- Oil free air for critical applications, such as air gauging, pneumatic instrumentation and control

**Note:** To optimise the life of the coalescing element, it is advisable to install a P3XFA pre-filter with a 5 micron element upstream of the coalescing filter.

**Options:**

<b>P 3 X F A</b>	□	□	□	□	<b>G</b>	□	<b>N</b>										
<table border="1" style="width: 100%; border-collapse: collapse;"> <tr> <td style="padding: 2px;">BSPP (G)</td> <td style="text-align: center; padding: 2px;"><b>1</b></td> </tr> <tr> <td style="padding: 2px;">NPT *</td> <td style="text-align: center; padding: 2px;"><b>9</b></td> </tr> </table>	BSPP (G)	<b>1</b>	NPT *	<b>9</b>	<table border="1" style="width: 100%; border-collapse: collapse;"> <tr> <td style="padding: 2px;">1/2</td> <td style="text-align: center; padding: 2px;"><b>4</b></td> </tr> <tr> <td style="padding: 2px;">3/4</td> <td style="text-align: center; padding: 2px;"><b>6</b></td> </tr> </table>	1/2	<b>4</b>	3/4	<b>6</b>	<table border="1" style="width: 100%; border-collapse: collapse;"> <tr> <td style="padding: 2px;">0.01 µm element with DPI standard</td> <td style="text-align: center; padding: 2px;"><b>D</b></td> </tr> </table>	0.01 µm element with DPI standard	<b>D</b>	<table border="1" style="width: 100%; border-collapse: collapse;"> <tr> <td style="padding: 2px;">Combined Manual/Semi Auto Drain</td> <td style="text-align: center; padding: 2px;"><b>C</b></td> </tr> <tr> <td style="padding: 2px;">Auto Drain</td> <td style="text-align: center; padding: 2px;"><b>A</b></td> </tr> </table>	Combined Manual/Semi Auto Drain	<b>C</b>	Auto Drain	<b>A</b>
BSPP (G)	<b>1</b>																
NPT *	<b>9</b>																
1/2	<b>4</b>																
3/4	<b>6</b>																
0.01 µm element with DPI standard	<b>D</b>																
Combined Manual/Semi Auto Drain	<b>C</b>																
Auto Drain	<b>A</b>																
<p>* NPT ports on request                      1/2" size only</p>																	

Port size	Description	Order Code	Flow dm <sup>3</sup> /s *	Max bar	Min temp °C	Max temp °C	Bowl capacity cm <sup>3</sup>	Height mm	Width mm	Depth mm	Weight g
1/2	Coalescing Filter 0.01µm, Combined manual/semi auto drain	<b>P3XFA14DGCN</b>	24	16	-10	60	60	217	62	62	320
1/2	Coalescing Filter 0.01µm, auto drain	<b>P3XFA14DGAN</b>	24	16	-10	60	60	217	62	62	320
3/4	Coalescing Filter 0.01µm, Combined manual/semi auto drain	<b>P3XFA16DGCN</b>	24	16	-10	60	60	217	62	62	320
3/4	Coalescing Filter 0.01µm, auto drain	<b>P3XFA16DGAN</b>	24	16	-10	60	60	217	62	62	320

\* flow with 6,3 bar inlet pressure and 0,2 pressure drop.



**Technical Information**

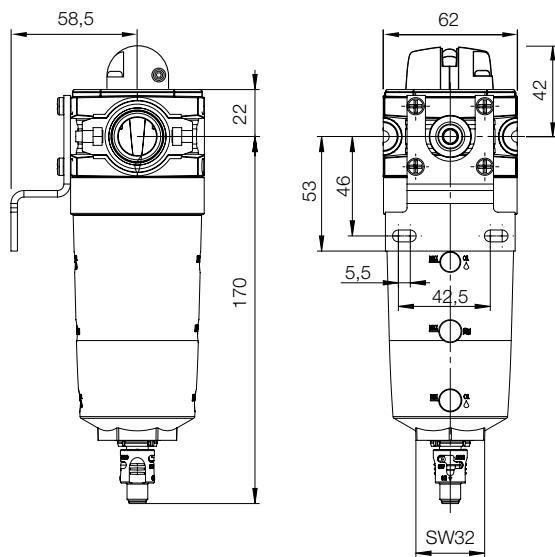
Fluid:	Compressed air
Maximum inlet pressure:	16 bar
Temperature range*:	-10°C to +60°C
Media specifications:	
Coalescing efficiency	(0.3 to 0.6 micron particles): 99.97%
Max. oil carryover (PPM w/w):	0.008 mg/m <sup>3</sup>
Typical flow element @ 6,3 bar inlet pressure and 0.2 bar pressure drop:	16 dm <sup>3</sup> /s
Manual / Semi-auto drain:	
Bowl pressure to close drain	0.8 bar
Auto drain:	
bowl pressure to close drain	0.8 bar
Operating range manual override facility	0.8 to 16 bar
Bowl sump capacity:	60 cm <sup>3</sup>

\* Air supply must be dry enough to avoid ice formation at temperatures below +2°C

**Material Specification**

Body:	High tech polymer
Sight glass:	Polypropylene
Filter cover:	ABS
Coalescing element:	Borosilicate & Nano fibres
Top & bottom end cap:	Glass filled nylon - Black
Support cylinders:	Grade 430 stainless steel
Support media:	Polypropylene
Anti re-entrainment barrier:	Polyester
Ensapulate:	Epoxy resin / Hardener
Seals:	Nitrile NBR
Drains:	Manual / Semi-auto: Acetal
	Automatic: PA / Brass
Differential pressure indicator materials:	
Body:	Acetal
Internal parts:	Acetal
Spring:	Stainless steel
Seals:	Nitrile NBR
Screws:	Steel / zinc plated

**Dimensions (mm)**

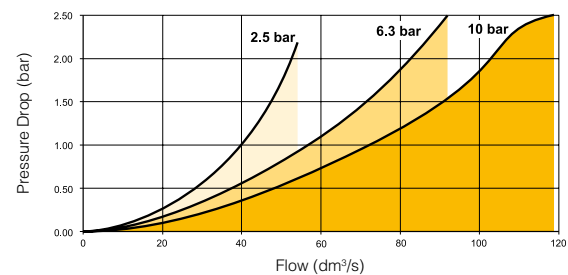


**Service kits**

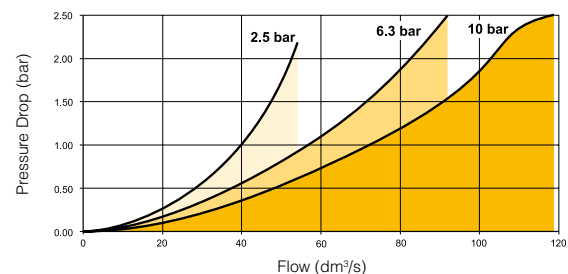
Description	Order code
0.01 micron coalescing element kit	<b>P3XKA00ESC</b>
Bowl kit with combines manual/semi auto drain	<b>P3XKA00BSC</b>
Bowl kit with auto drain	<b>P3XKA00BSA</b>
Differential pressure indicator kit	<b>P3XKA00RQ</b>

**Flow characteristics**

**(1/2) 0.01µm Coalescing Filter Saturated**



**(3/4) 0.01µm Coalescing Filter Saturated**



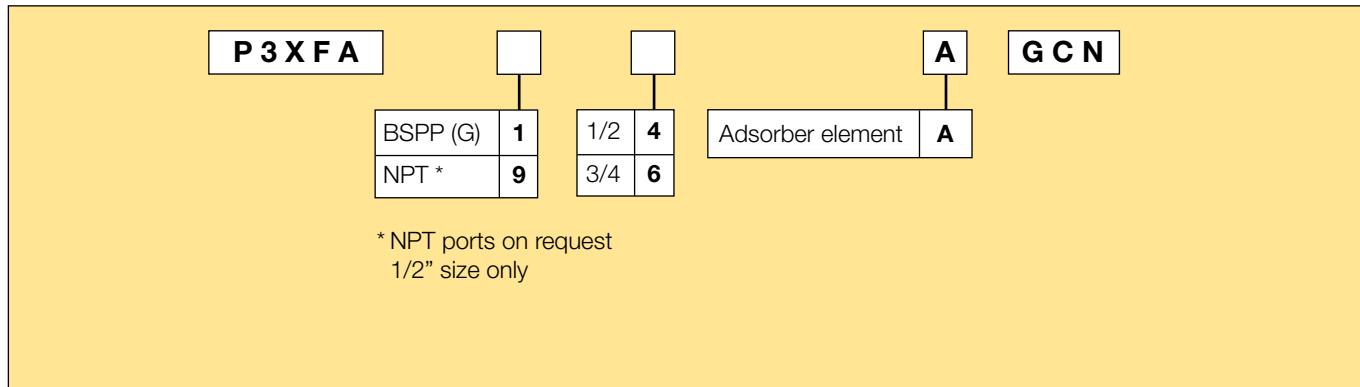
**Adsorber Filter**



- Integral 1/2 or 3/4 ports
- Adsorber activated carbon element removes oil vapours and most hydrocarbons

**Note:** To optimise the life of the adsorber element, it is advisable to install a P3X coalescing 0.01 µm filter upstream of the adsorber filter.

**Options:**



Port size	Description	Order Code	Flow dm <sup>3</sup> /s *	Max bar	Min temp °C	Max temp °C	Bowl capacity cm <sup>3</sup>	Height mm	Width mm	Depth mm	Weight g
1/2	Adsorber Filter, Manual / Semi-auto drain	<b>P3XFA14AGCN</b>	18	16	-10	60	60	192	62	62	320
3/4	Adsorber Filter, Manual / Semi-auto drain	<b>P3XFA16AGCN</b>	18	16	-10	60	60	192	62	62	320

\* flow with 6,3 bar inlet pressure and 0,2 pressure drop.

**Technical Information**

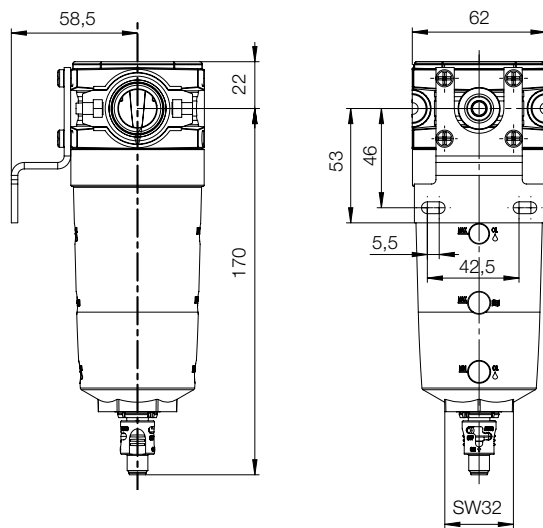
Fluid:	Compressed air	
Maximum inlet pressure:	16 bar	
Temperature range*:	-10°C to +60°C	
Typical flow at 6,3 bar inlet pressure and 0.2 bar pressure drop:	Adsorber	18 dm <sup>3</sup> /s
Manual / Semi-auto drain:	1/8" connection	
to close connection	0.8 bar	

\* Air supply must be dry enough to avoid ice formation at temperatures below +2°C

**Material Specification**

Body:	High tech polymer
Sight glass:	Polypropylene
Filter cover:	ABS
Adsorber element:	Activated carbon
Top & bottom endcap:	Glass filled nylon
Support cylinders:	Grade 430 stainless steel
Support media:	100% spun polypropylene
Support sock:	Polyester needlefelt
Encapsulant:	Epoxy resin / Hardener
Seals:	Nitrile NBR
Drain: Manual / Semi-auto	Acetal

**Dimensions (mm)**

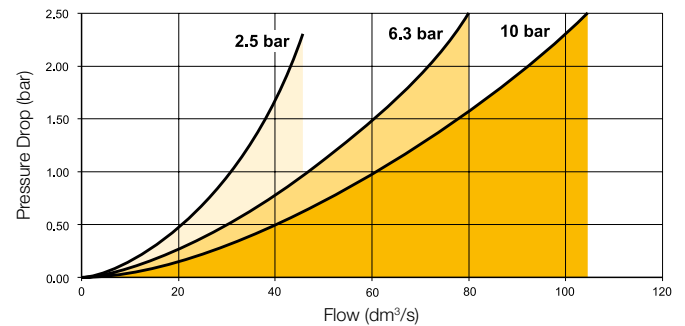


**Service kits**

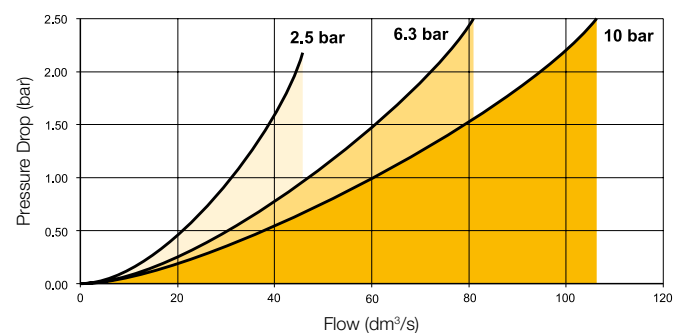
Description	Order code
Adsorber element kit	<b>P3XKA00ESA</b>
Bowl kit with manual drain	<b>P3XKA00BSC</b>

**Flow characteristics**

**(1/2) Adsorber Filter**



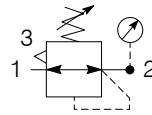
**(3/4) Adsorber Filter**



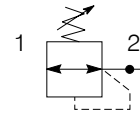
**Regulator**



**Symbols**



Self relieving regulator with gauge



Non relieving regulator

- Integral 1/2 or 3/4 ports
- Secondary pressure ranges 8 & 16 bar
- Rolling diaphragm for extended life
- Secondary aspiration plus rolling diaphragm provides quick response and accurate pressure regulation.
- Optional tamperproof regulator, up to x 3 padlocks
- Relieving & Non-relieving types

**Options:**

<b>P 3 X R A</b>	□	□	□	□	□	□	<b>N</b>
BSPP (G) <b>1</b>	1/2 <b>4</b>	Relieving <b>B</b>	Non rise - standard <b>N</b>	0 - 8 bar No Gauge <b>N</b>			
NPT * <b>9</b>	3/4 <b>6</b>	Non-relieving <b>N</b>	Tamperproof - Lockable <b>A</b>	0 - 16 bar No Gauge <b>H</b>			
				0 - 8 bar Gauge <b>G</b>			
				0 - 16 bar Gauge <b>J</b>			

\* NPT ports on request  
 1/2" size only

Port size	Description	Order Code	Flow dm <sup>3</sup> /s *	Max bar	Min temp °C	Max temp °C	Height mm	Width mm	Depth mm	Weight g
1/2	8 bar relieving	<b>P3XRA14BNNN</b>	122	16	-10	60	150	62	62	360
1/2	8 bar relieving + pressure gauge	<b>P3XRA14BNGN</b>	122	16	-10	60	150	62	95	410
3/4	8 bar relieving	<b>P3XRA16BNNN</b>	134	16	-10	60	150	62	62	360
3/4	8 bar relieving + pressure gauge	<b>P3XRA16BNGN</b>	134	16	-10	60	150	62	95	410
1/2	8 bar relieving with tamperproof facility	<b>P3XRA14BANN</b>	122	16	-10	60	158	62	62	360
1/2	8 bar relieving with tamperproof facility + pressure gauge	<b>P3XRA14BAGN</b>	122	16	-10	60	158	62	95	410
3/4	8 bar relieving with tamperproof facility	<b>P3XRA16BANN</b>	134	16	-10	60	158	62	62	360
3/4	8 bar relieving with tamperproof facility + pressure gauge	<b>P3XRA16BAGN</b>	134	16	-10	60	158	62	95	410

\* flow with 10 bar inlet pressure, 6,3 bar set pressure and 1 bar pressure drop.  
 Tamperproof regulator will require lock kit (on opposite page) to lock regulator.

**Technical Information**

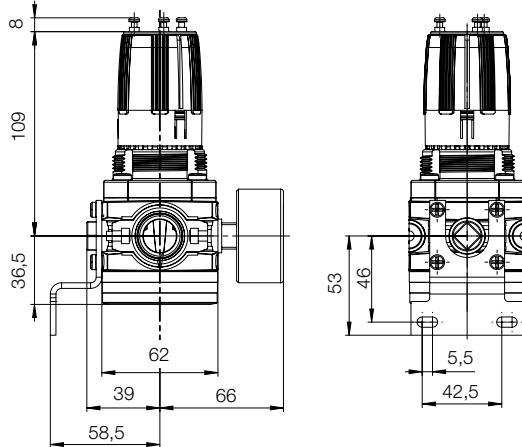
Fluid:	Compressed air	
Maximum inlet pressure:	16 bar	
Temperature range*:	-10°C to +60°C	
Typical flow with 10 bar inlet pressure, 6.3 bar set pressure and 1 bar pressure drop:	1/2"	122 dm <sup>3</sup> /s
	3/4"	134 dm <sup>3</sup> /s
Gauge port ( x 2):	1/4"	

\* Air supply must be dry enough to avoid ice formation at temperatures below +2°C

**Material Specification**

Body:	High tech polymer
Bonnet:	High tech polymer
Regulator cover:	ABS
Control Knob:	Polyamide
Valve:	Brass / Nitrile
Seals:	Nitrile NBR
Screws:	Steel / zinc plated

**Dimensions (mm)**



**Service kits**

Description	Order code
Wall bracket	<b>P3XKA00MW</b>
Panel mounting nut	<b>P3XKA00MM</b>
Key lock	<b>P3XKA00AS</b>
Diaphragm kit (relieving type)	<b>P3XKA00RR</b>
Diaphragm kit (non-relieving type)	<b>P3XKA00RN</b>

**Lockable Tamperproof Kit** (up to x 3 padlocks)

This facilitates the tamperproofing of the Regulator and Filter-Regulator units. (On request)

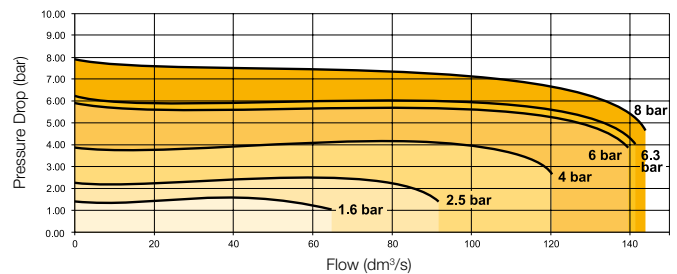


Order code
1 Padlock each
<b>P3XKA00AS</b>

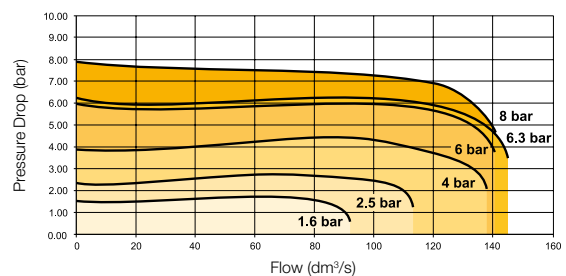
**Material Specification**

**Flow characteristics**

**Regulation characteristics: (1/2)**



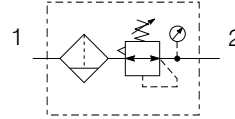
**Regulation characteristics: (3/4)**



**Filter-Regulator**

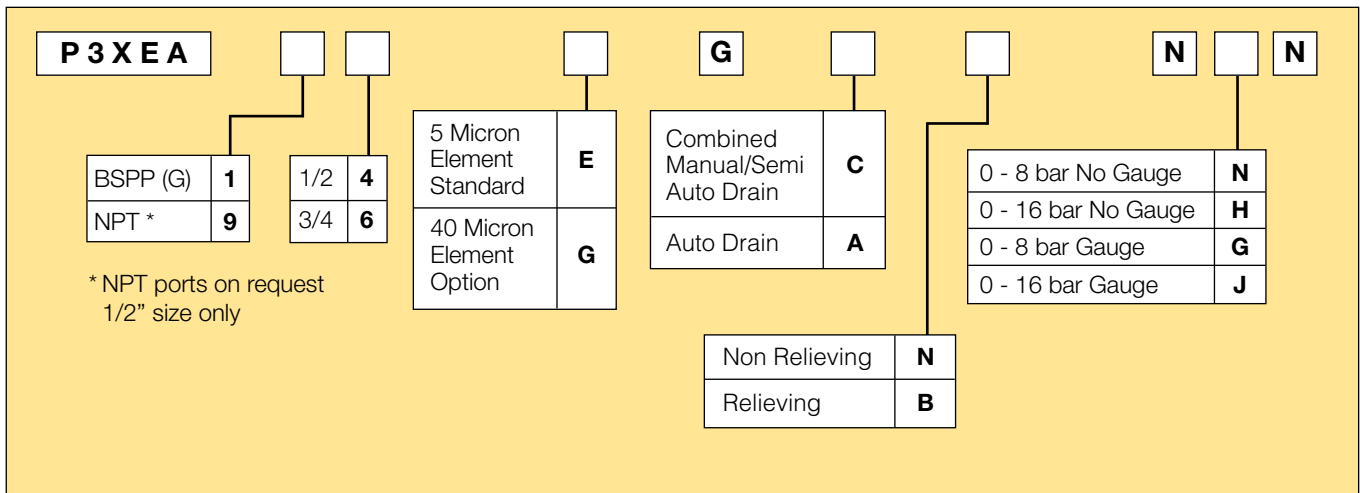


**Symbols**



- Integral 1/2 or 3/4 ports
- High efficiency 5 micron element as standard
- Excellent water removal efficiency
- Secondary pressure ranges 8 and 16 bar
- Rolling diaphragm for extended life
- Secondary aspiration plus balanced poppet provides quick response and accurate pressure regulation.

**Options:**



Port size	Description	Order Code	Flow dm <sup>3</sup> /s *	Max bar	Min temp °C	Max temp °C	Bowl capacity cm <sup>3</sup>	Height mm	Width mm	Depth mm	Weight g
1/2	8 bar, relieving, Combined manual/semi auto drain	<b>P3XEA14EGCBNNN</b>	111	16	-10	60	60	280	62	62	500
1/2	8 bar relieving, auto drain	<b>P3XEA14EGABNNN</b>	111	16	-10	60	60	280	62	62	500
1/2	8 bar, relieving, gauge Combined manual/semi auto drain	<b>P3XEA14EGCBNGN</b>	111	16	-10	60	60	280	62	62	550
1/2	8 bar relieving, gauge, auto drain	<b>P3XEA14EGABNGN</b>	111	16	-10	60	60	280	62	62	550
3/4	8 bar, relieving, Combined manual/semi auto drain	<b>P3XEA16EGCBNNN</b>	113	16	-10	60	60	280	62	62	500
3/4	8 bar relieving, auto drain	<b>P3XEA16EGABNNN</b>	113	16	-10	60	60	280	62	62	500
3/4	8 bar, relieving, gauge Combined manual/semi auto drain	<b>P3XEA16EGCBNGN</b>	113	16	-10	60	60	280	62	62	550
3/4	8 bar relieving, gauge, auto drain	<b>P3XEA16EGABNGN</b>	113	16	-10	60	60	280	62	62	550

\* flow with 10 bar inlet pressure, 6,3 bar set pressure and 1 bar pressure drop.

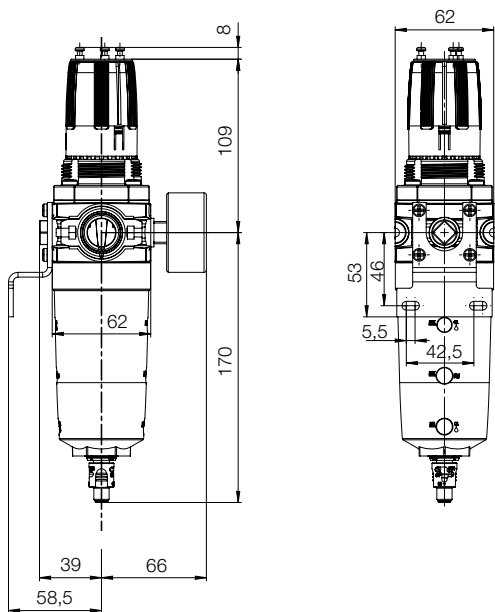


**Technical Information**

Fluid:	Compressed air
Maximum inlet pressure:	16 bar
Temperature range*:	-10°C to +60°C
Particle removal:	5 micron and 40 micron
Air quality:	Within ISO 8573-1 : 1991 Class 3 and 5 (particulates) Within ISO 8573-1 : 2001 Class 6 and 7 (particulates)
Typical flow with 10 bar inlet pressure 6,3 bar set pressure and 1 bar pressure drop 106 dm <sup>3</sup> /s	
Manual / Semi-auto drain: pressure to close drain	0.8 bar
Auto drain:	
bowl pressure to close drain	0.8 bar
Operating range	0.8 to 16 bar
manual override facility	
Bowl sump capacity:	60 cm <sup>3</sup>
Gauge ports ( x 2 ):	1/4"

\* Air supply must be dry enough to avoid ice formation at temperatures below +2°C

**Dimensions (mm)**



**Service kits**

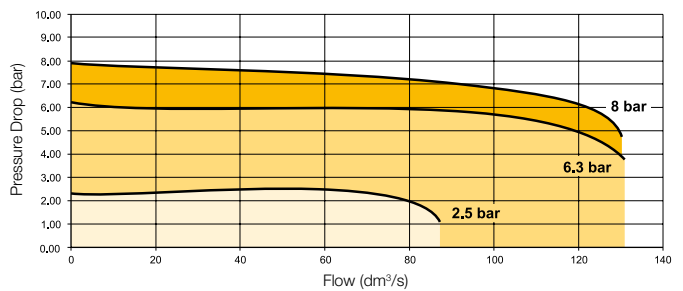
Description	Order code
5 micron element kit	<b>P3XKA00ESE</b>
40 micron element kit	<b>P3XKA00ESG</b>
Bowl kit with combined manual/semi auto drain	<b>P3XKA00BSC</b>
Bowl kit with auto drain	<b>P3XKA00BSA</b>
Tamper-proof knob kit (keylock)	<b>P3XKA00AS</b>
Diaphragm kit (relieving type)	<b>P3XKA00RR</b>
Diaphragm kit (non-relieving type)	<b>P3XKA00RN</b>
Wall bracket kit	<b>P3XKA00MW</b>
Panel mount nut	<b>P3XKA00MM</b>

**Material Specification**

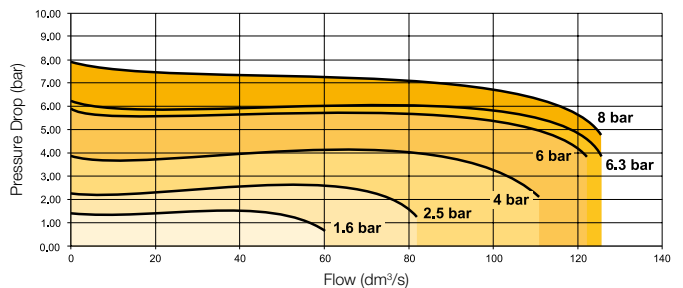
Body:	High tech polymer
Sight glass:	Polypropylene
Body cover:	ABS
Element:	Sintered P.E.
Seals:	Nitrile NBR
Drains:	Manual / Semi-auto: Acetal Automatic: PA / Brass
Bonnet:	High tech polymer
Control knob:	Polyamide
Valve:	Brass / Nitrile
Screws:	Steel/ zinc plated

**Flow characteristics**

**(1/2) 5 Micron Filter/Regulator**



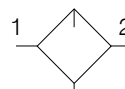
**(3/4) 5 Micron Filter/Regulator**



**Lubricator**



**Symbols**



Lubricator

- Integral 1/2 or 3/4 ports
- Proportional oil delivery over a wide range of air flows.
- No adjustment necessary (self adjusting)
- Fill from top under system pressure

**Options:**

<b>P 3 X L A</b>	□	□	□	<b>G N N</b>												
* NPT ports on request 1/2" size only	<table border="1"> <tr><td>BSPP (G)</td><td style="text-align: center;"><b>1</b></td></tr> <tr><td>NPT *</td><td style="text-align: center;"><b>9</b></td></tr> </table>	BSPP (G)	<b>1</b>	NPT *	<b>9</b>	<table border="1"> <tr><td>1/2</td><td style="text-align: center;"><b>4</b></td></tr> <tr><td>3/4</td><td style="text-align: center;"><b>6</b></td></tr> </table>	1/2	<b>4</b>	3/4	<b>6</b>	<table border="1"> <tr><td>5 mg/m<sup>3</sup></td><td style="text-align: center;"><b>S</b><sup>1)</sup></td></tr> <tr><td>50 mg/m<sup>3</sup></td><td style="text-align: center;"><b>P</b><sup>2)</sup></td></tr> </table>	5 mg/m <sup>3</sup>	<b>S</b> <sup>1)</sup>	50 mg/m <sup>3</sup>	<b>P</b> <sup>2)</sup>	
BSPP (G)	<b>1</b>															
NPT *	<b>9</b>															
1/2	<b>4</b>															
3/4	<b>6</b>															
5 mg/m <sup>3</sup>	<b>S</b> <sup>1)</sup>															
50 mg/m <sup>3</sup>	<b>P</b> <sup>2)</sup>															

Port size	Description	Order Code	Flow dm <sup>3</sup> /s *	Max bar	Min temp °C	Max temp °C	Bowl capacity cm <sup>3</sup>	Height mm	Width mm	Depth mm	Weight g
1/2	Oil mist, fill under pressure (50mg/m <sup>3</sup> )	<b>P3XLA14PGNN</b>	78	16	-10	60	90	195	62	62	300
3/4	Oil mist, fill under pressure (50mg/m <sup>3</sup> )	<b>P3XLA16PGNN</b>	78	16	-10	60	90	195	62	62	300
1/2	Oil mist, fill under pressure (5mg/m <sup>3</sup> )	<b>P3XLA14SGNN</b>	78	16	-10	60	90	195	62	62	300
3/4	Oil mist, fill under pressure (5mg/m <sup>3</sup> )	<b>P3XLA16SGNN</b>	78	16	-10	60	90	195	62	62	300

\* Flow with 6,3 bar inlet pressure and 0,5 pressure drop.

<sup>1)</sup> Best for pre-lubricated pneumatic components (e.g. rodless cylinder, actuators, valves etc.)

<sup>2)</sup> Best for components which require effective lubrication (e.g. vane driven pneumatic motors / air tools etc.)

**Technical Information**

Fluid:	Compressed air
Maximum inlet pressure:	16 bar
Temperature range*:	-10°C to +60°C

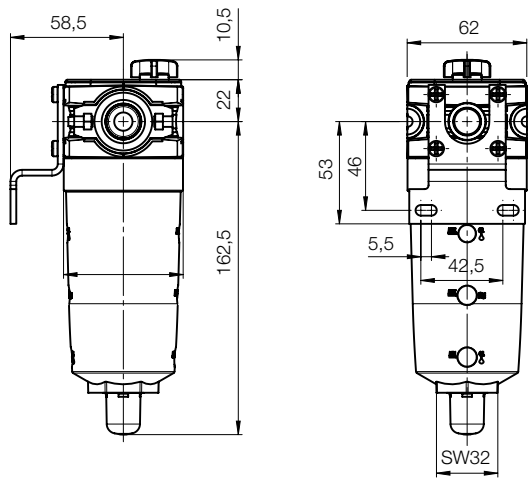
\* Air supply must be dry enough to avoid ice formation at temperatures below +2° C  
 Low flow start point (lubrication pick-up): at 6.3bar inlet pressure 7 dm<sup>3</sup>/s  
 Typical flow with 6.3bar inlet pressure and 0.5 bar pressure drop: 78 dm<sup>3</sup>/s

**Note :** Fill lubricant from top only

**Material Specification**

Body:	High tech polymer
Bowl sight glass:	Polypropylene
Sight dome:	PA (Nylon)
Lubricator cover:	ABS
Seals:	Nitrile NBR

**Dimensions (mm)**

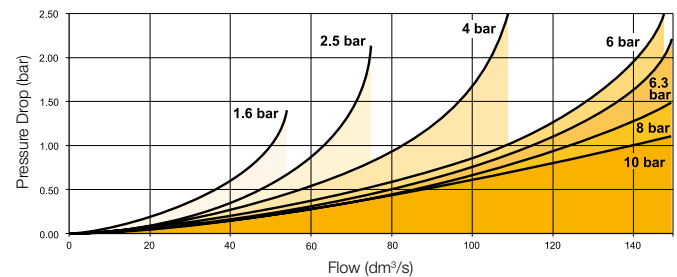


**Service kits**

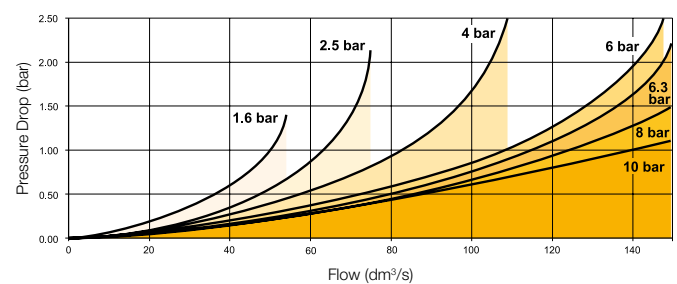
Description	Order code
Bowl kit	P3XKA00BSN
Refill plug	P3XKA00PL
Oil VG15 - 100ml	P3XKA00PPA

**Flow characteristics**

**(1/2) Lubricator**

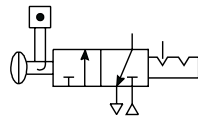


**(3/4) Lubricator**



**Modular Slide Valve**

**Symbol**



- Padlockable.
- When the inlet pressure is turned off the downstream vents through the exhaust port.

P3X Series Slide Valves provide shut off line pressure to prevent unauthorised adjustment.

**Options:**

<b>P 3 X</b>	<b>V A</b>			<b>LSN</b>
BSPP (G)	<b>1</b>	G1/2	<b>4</b>	
NPT *	<b>9</b>	G3/4	<b>6</b>	

\* NPT ports on request (1/2" size only)

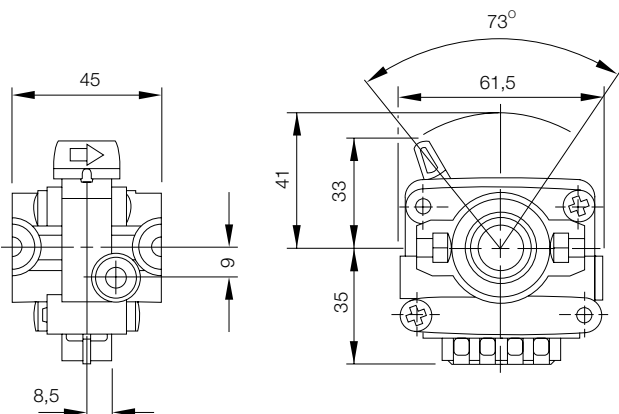
**Technical Information**

Operating Temperature:	-10°C to +60°C	
Maximum Supply Pressure:	16 bar	
Weight (g):	1/2	300g
	3/4	300g

**Material specification:**

Body:	High tech polymer
Handle:	Polyamide
Seals:	Nitrile NBR
Exhaust muffler:	Sintered bronze

**Dimensions (mm)**

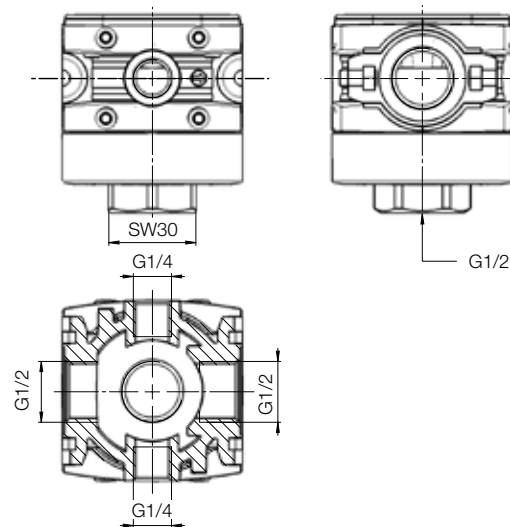


**Modular Manifold**



P3X Series Manifolds, provide up to 2 extra outlet ports, they may be assembled at any position in a combination e.g. before the lubricator to provide oil free take off or at the end of a combination to provide extra outlet ports.

Description	Order code BSPP	Order code NPT	Weight (g)
G1/2"	<b>P3XMA1V0N</b>	<b>P3XMA9V0N</b>	170

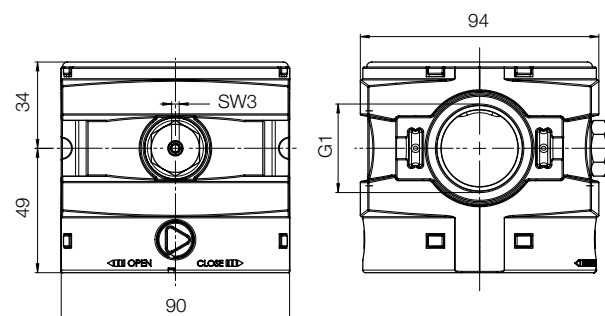


Inlet port	Bottom	Front and Back
1/2	1/2"	1/4"







**Material specification:**

Body:	High tech polymer
Manifold Cover:	ABS

**Dimensions (mm)**



**Accessories**

Description	Connection	Weight (g)	Order code	
Panel mounting nut		10	<b>P3XKA00MM</b>	
Wall bracket kit		80	<b>P3XKA00MW</b>	
P3X connecting kit		10	<b>P3XKA00CB</b>	
Lubricator Oil	VG15 : ISO 3448 - 100ml	100	<b>P3XKA00PPA</b>	
Pressure gauge	0 to 10 bar 0 to 16 bar	1/4" 1/4"	<b>KG8012</b> <b>KG8013</b>	
Connector O-ring kit	Qty: 5		<b>P3XKA04CY</b>	
Regulator & Filter/Regulator - Key Lock Kit		0.05	<b>P3XKA00AS</b>	

# Parker Worldwide

**AE – UAE, Dubai**  
Tel: +971 4 8127100  
parker.me@parker.com

**AR – Argentina, Buenos Aires**  
Tel: +54 3327 44 4129

**AT – Austria, Wiener Neustadt**  
Tel: +43 (0)2622 23501-0  
parker.austria@parker.com

**AT – Eastern Europe, Wiener Neustadt**  
Tel: +43 (0)2622 23501 900  
parker.easteurope@parker.com

**AU – Australia, Castle Hill**  
Tel: +61 (0)2-9634 7777

**AZ – Azerbaijan, Baku**  
Tel: +994 50 2233 458  
parker.azerbaijan@parker.com

**BE/LU – Belgium, Nivelles**  
Tel: +32 (0)67 280 900  
parker.belgium@parker.com

**BR – Brazil, Cachoeirinha RS**  
Tel: +55 51 3470 9144

**BY – Belarus, Minsk**  
Tel: +375 17 209 9399  
parker.belarus@parker.com

**CA – Canada, Milton, Ontario**  
Tel: +1 905 693 3000

**CH – Switzerland, Etoy**  
Tel: +41 (0) 21 821 02 30  
parker.switzerland@parker.com

**CL – Chile, Santiago**  
Tel: +56 2 623 1216

**CN – China, Shanghai**  
Tel: +86 21 2899 5000

**CZ – Czech Republic, Klecany**  
Tel: +420 284 083 111  
parker.czechrepublic@parker.com

**DE – Germany, Kaarst**  
Tel: +49 (0)2131 4016 0  
parker.germany@parker.com

**DK – Denmark, Ballerup**  
Tel: +45 43 56 04 00  
parker.denmark@parker.com

**ES – Spain, Madrid**  
Tel: +34 902 330 001  
parker.spain@parker.com

**FI – Finland, Vantaa**  
Tel: +358 (0)20 753 2500  
parker.finland@parker.com

**FR – France, Contamine s/Arve**  
Tel: +33 (0)4 50 25 80 25  
parker.france@parker.com

**GR – Greece, Athens**  
Tel: +30 210 933 6450  
parker.greece@parker.com

**HK – Hong Kong**  
Tel: +852 2428 8008

**HU – Hungary, Budapest**  
Tel: +36 1 220 4155  
parker.hungary@parker.com

**IE – Ireland, Dublin**  
Tel: +353 (0)1 466 6370  
parker.ireland@parker.com

**IN – India, Mumbai**  
Tel: +91 22 6513 7081-85

**IT – Italy, Corsico (MI)**  
Tel: +39 02 45 19 21  
parker.italy@parker.com

**JP – Japan, Tokyo**  
Tel: +(81) 3 6408 3901

**KR – South Korea, Seoul**  
Tel: +82 2 559 0400

**KZ – Kazakhstan, Almaty**  
Tel: +7 7272 505 800  
parker.easteurope@parker.com

**LV – Latvia, Riga**  
Tel: +371 6 745 2601  
parker.latvia@parker.com

**MX – Mexico, Apodaca**  
Tel: +52 81 8156 6000

**MY – Malaysia, Shah Alam**  
Tel: +60 3 7849 0800

**NL – The Netherlands, Oldenzaal**  
Tel: +31 (0)541 585 000  
parker.nl@parker.com

**NO – Norway, Ski**  
Tel: +47 64 91 10 00  
parker.norway@parker.com

**NZ – New Zealand, Mt Wellington**  
Tel: +64 9 574 1744

**PL – Poland, Warsaw**  
Tel: +48 (0)22 573 24 00  
parker.poland@parker.com

**PT – Portugal, Leca da Palmeira**  
Tel: +351 22 999 7360  
parker.portugal@parker.com

**RO – Romania, Bucharest**  
Tel: +40 21 252 1382  
parker.romania@parker.com

**RU – Russia, Moscow**  
Tel: +7 495 645-2156  
parker.russia@parker.com

**SE – Sweden, Spånga**  
Tel: +46 (0)8 59 79 50 00  
parker.sweden@parker.com

**SG – Singapore**  
Tel: +65 6887 6300

**SK – Slovakia, Banská Bystrica**  
Tel: +421 484 162 252  
parker.slovakia@parker.com

**SL – Slovenia, Novo Mesto**  
Tel: +386 7 337 6650  
parker.slovenia@parker.com

**TH – Thailand, Bangkok**  
Tel: +662 717 8140

**TR – Turkey, Istanbul**  
Tel: +90 216 4997081  
parker.turkey@parker.com

**TW – Taiwan, Taipei**  
Tel: +886 2 2298 8987

**UA – Ukraine, Kiev**  
Tel: +380 44 494 2731  
parker.ukraine@parker.com

**UK – United Kingdom, Warwick**  
Tel: +44 (0)1926 317 878  
parker.uk@parker.com

**US – USA, Cleveland**  
Tel: +1 216 896 3000

**VE – Venezuela, Caracas**  
Tel: +58 212 238 5422

**ZA – South Africa, Kempton Park**  
Tel: +27 (0)11 961 0700  
parker.southafrica@parker.com

European Product Information Centre  
Free phone: 00 800 27 27 5374  
(from AT, BE, CH, CZ, DE, DK, EE, ES, FI,  
FR, IE, IL, IS, IT, LU, MT, NL, NO, PL, PT, RU,  
SE, UK, ZA)

