

Short description

The junction box allows easy connection of HT pressure sensor with integrated hardline cable and open leads 602xA_B0B_ with softline cable respectively charge amplifier

- Input: Cable gland for hardline cable with open leads
- Output: 2 pole connector 7/16"-27 UNS-2A for softline cable type 1652AC2_
- Aluminium die-cast housing

Technical data

Electrical Connections

- Sensor Cable gland for Hardline cable \varnothing 3,2 mm
- Output 2 pole connector 7/16"-27 UNS-2A

Execution

- Operating temperature °C - 20... 100
- Degree of protection ¹⁾ IP 64
- Weight kg 0,3

1) In mated cable connector condition

The copyright of this drawing, that is entrusted personally to the recipient, remains with our Company. No copies or duplications of this drawing may be made, nor is it allowed to transmit it or to make it accessible to third parties without our written permission.

Modification 100012578	Date 28.03.2017	Generating system Word 2003	European projection 	First project-no S-00056-17	Date of copy
---------------------------	--------------------	--------------------------------	--	--------------------------------	--------------

Junction Box for HT-Pressure Sensors 602xA_B0B

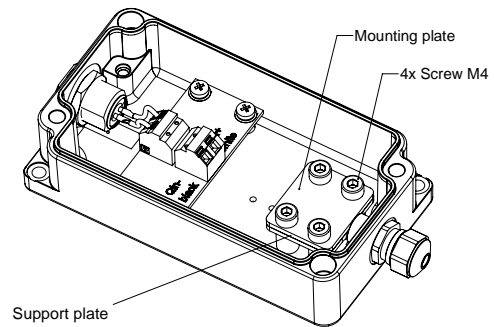
Specification control sheet

gez.	28.03.2017	Wsa	KISTLER Kistler Instrumente AG, Winterthur Switzerland	Size	Documentnumber	Version	Page 1
gepr.	28.03.2017	Hch		A4	Z21762-01e	0	of 2
ges.	28.03.2017	Gn					

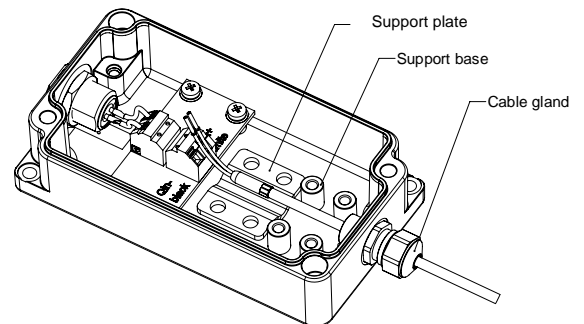
Manual: Step by step procedures

Mounting Hardline Cable

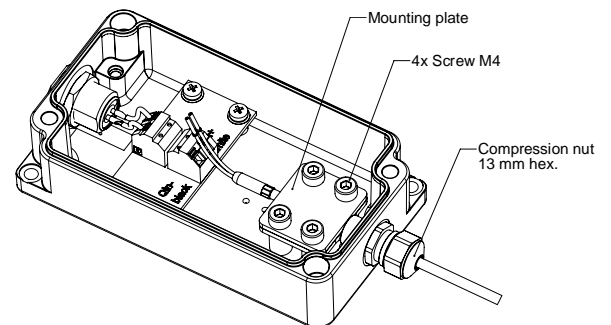
- 1.) a) Open the top cover
b) Remove 4x the screws M4 and the mounting plate



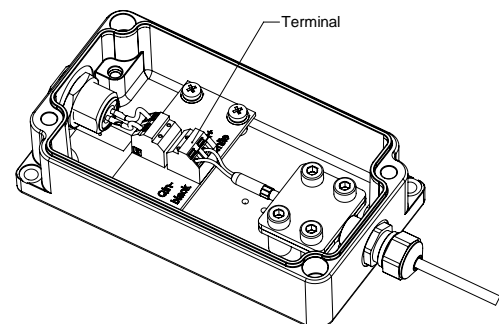
- 2.) a) Position the support plate on the housing bottom
b) Push the hardline cable through the cable gland
c) Place the support plate under the cable back to the support base



- 3.) a) Place the mounting plate on the hardline cable and tighten 4x the screws M4
b) Tighten the compression nut until the sealing insert forms a small bead between the compression nut and the hardline cable.



- 4.) a) Push the open leads in the terminal
white lead → **Qin+**
black lead → **Qin-**
b) Close the top cover



The copyright of this drawing, that is entrusted personally to the recipient, remains with our Company. No copies or duplications of this drawing may be made, nor is it allowed to transmit it or to make it accessible to third parties without our written permission.

Junction Box for HT-Pressure Sensors 602xA_B0B

Specification control sheet

gez.	28.03.2017	Wsa	KISTLER Kistler Instrumente AG, Winterthur Switzerland	Size	Documentnumber	Version	Page 2
gepr.	28.03.2017	Hch		A4	Z21762-01e	0	of 2
ges.	28.03.2017	Gn					