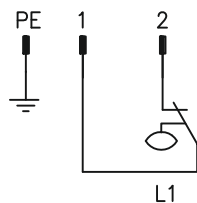


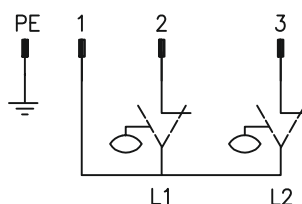
Connection diagram

Plug-in connection
DIN EN 175301-803, shape A

1 Contact change-over



2 Contacts

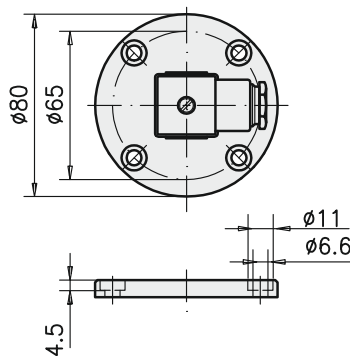


Switching function at order designation

Wiring diagram at non-actuated contact.
Float beyond switching range.

For operation in inherently safe electric systems see data sheet P0468.

Flange



Level switch KFI-F

- **Potential-free contact**
- **Plug-in connection**
DIN EN 175301-803, shape A
- **Float made from stainless steel 1.4571**

Application:

Registration of liquid levels in reservoirs.

Function:

One or two Reed contacts are integrally cast in a sliding tube. A float with a permanent solenoid moves along the sliding tube to match the filling level. When the solenoid approaches the Reed contact the latter is operated without contact. In the respective switching position the rising of the float is prevented by means of safety rings.

Technical data general:

Operating pressure	
with float B:	max. 4 bar
with float C:	max. 1 bar
Medium temperature:	-20 ... +80 °C
Ambient temperature:	-20 ... +80 °C
Mounting position:	vertical $\pm 20^\circ$
Material	
Tube:	Copper alloy
Float B:	1.4571
Float C:	PUR- high resistance foam
Flange:	Aluminium alloy
Sealing:	Abil
Protection type:	DIN EN 60529 IP65
Weight at $L1=300$	0,3 kg

This float is suited for synthetic oils, mineral oils, glycoles, esters as well as biological oils. It can also be used for fuels. (Mind Ex-protection!)

Technical data - Reed contact:

Switching voltage:	10 ... 230 VUC
Switching current:	max. 1,0A
Switching capacity:	max. 40/60 W/VA

For inductive and capacitive loads, suppressor circuits shall be provided for.
(Diode, RC element, varistor)

- Subject to modifications -

Order designation:



Float	Switching functions		Switching length			
	L1 = lower switching point at descending level	L2 = upper switching point at rising level	L1 mm	L2 mm		
Stainless steel $\varnothing 51$ (B)	D.T.-switch (change-over) (W)	without (X)	specify when ordering			
	NO contact (S)	NO contact (S)				
PUR- high resistance foam $\varnothing 45$ (C)	NC contact (O)	NC contact (O)				

Level switch KFI-F

EUGEN WOERNER GmbH & Co. KG
 Hafenstrasse 2 DE-97877 Wertheim
 Tel. +49 9342 803-0 info@woerner.de
 Fax +49 9342 803-202 www.woerner.de

Data sheet
 Replaces
 Page 1 of 2

P0402.10.15 EN
 P0402.02.13 EN

Important information about this data sheet

Reproduction, also in extracts, only permitted with the approval of the firm of EUGEN WOERNER GmbH & Co. KG.

All the information in this data sheet has been examined for correctness with great care. Nevertheless, WOERNER cannot assume any liability for losses or damage resulting directly or indirectly from the application of the information contained in this data sheet.

All products from WOERNER may only be used as intended and corresponding to the information in this data sheet.

For products supplied with operating instructions, the additional directives and information contained in them are to be complied with.

Materials deviating from those mentioned in this data sheet and the technical documents which further apply may only be poured into and processed in the appliances and systems manufactured and supplied by WOERNER by following agreement with and written approval by WOERNER.

The safety and danger information stated in the safety data sheets of the substances used must be taken into account at all costs.

Transportation of gases, liquefied gases, gases under pressure, vapours and liquids, the vapour pressure of which is more than 0,5 bar above normal atmospheric pressure (1013 mbar) at the maximum admissible temperature, of easy inflammable or explosive media as well as transportation of foodstuffs is forbidden.

Information on EU Directive 2011/95/EU (RoHS)

In its controls and switching devices, WOERNER only uses materials which fulfil the criteria of EU Directive 2011/95/EU. To the extent that hexavalent chromium has been used as corrosion protection in the parts which we produce ourselves, it has already been replaced by other environmentally tolerable protective measures.

The mechanical devices supplied by WOERNER are not affected by EU Directive 2011/95/EU.

But as WOERNER is conscious of its responsibility towards the environment, we shall also use materials fulfilling the requirements of the Directive for devices not covered by EU Directive 2011/95/EU as soon as they are generally available and their use is technically possible.