

- Measuring strokes up to 300 mm
- Infinite resolution
- Life expectancy > 50 million cycles
- Compact, robust design for engineering and instrumentation applications
- Various mechanical and electrical connections on option

**Construction**

Square shaped case in anodised aluminium - Shaft in stainless steel - Shaft entry with floating Teflon washer  
Shaft free to rotate about itself and to move conically to accept misalignment - Conductive plastic resistant element with precious wipers on Teflon slider - Electrical connection through solder pins or leads.

**Measuring Strokes and Technical Data**

Measuring stroke	mm	25.4	50.8	101.6	152.4	203.2	254	304.8
Resistance	KΩ ± 10 %	1	1	1	5	5	5	5

- |   |   |
|---|---|
| <ul style="list-style-type: none"> <li>■ Operating speed: 1000 mm/sec max.</li> <li>■ Mechanical travel: Stroke + 1,6 mm approx.</li> <li>■ Linearity classes: 1 - 0,5 - 0,25 - 0,1 - 0,05 %</li> <li>■ Rating (W): 1 W per 25,4 mm stroke</li> <li>■ Recommended load on wiper: ≤ 1 MΩ</li> <li>■ Max. current through wiper: 1 mA*</li> <li>■ Dielectric strength: 500 V 50 Hz 1 min</li> </ul> | <ul style="list-style-type: none"> <li>■ Operating force: 2,5 N approx.</li> <li>■ Operating temperature range: -40° C to +105° C</li> <li>■ Storage temperature range: -55° C to + 125° C</li> <li>■ Resistance to shock: 30 g/11 msec</li> <li>■ Resistance to vibration: 50 to 2000 Hz/5 g</li> <li>■ Applicable Mil-Specs: Mil-E-5272 and Mil-R-12934</li> <li>■ Protection grade: IP 50</li> </ul> |
|---|---|

**\*Note:** Precision potentiometers should only be used as voltage dividers - not as variable resistances!

**Variants and mounting accessories**

**Side plate "S"**

With 4 mounting holes 4.35 dia

**Guide sleeve "F"**

On shaft entry to eliminate conical movement

**Gauge type "T"**

With spring return, guide sleeve and spherical head, for strokes up to 101.6 mm only.

**Ball joint "KV"**

On shaft end (tip angle of ball is 13°)

**Ball joint "KH"**

On rear end of case (tip angle of ball is 13°)

**Thread "G"**

M5 at shaft end

**Humidity sealing**

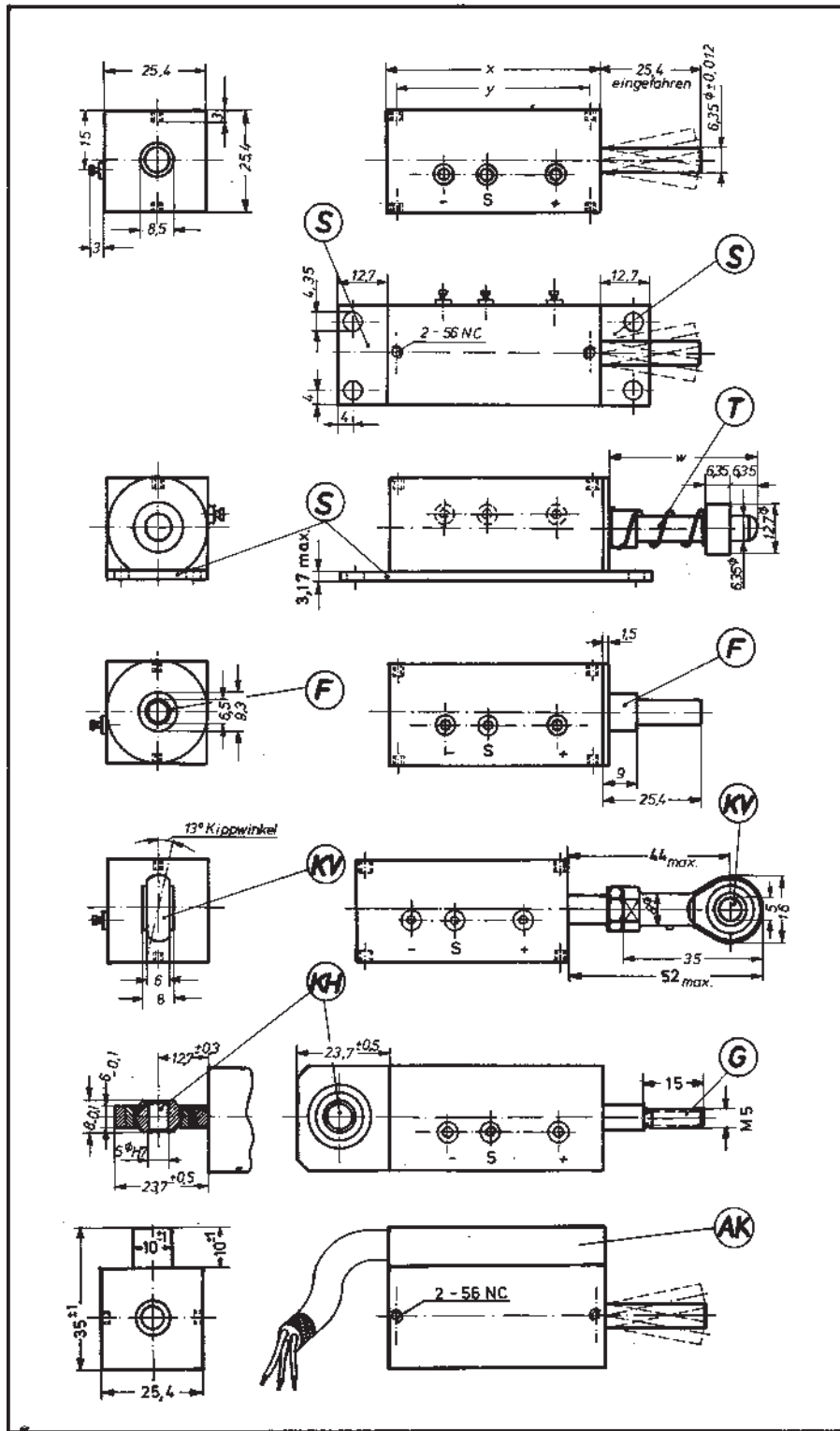
Additional humidity sealing to IP 65 can be provided upon request (additional order code "MIL-A"). Conical movement of shaft will be eliminated.

**Encapsulated cable exit "AK"**

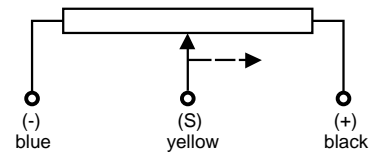
Cable type SIHFCSI-OB, 3 stranded wires of 2.25 mm<sup>2</sup> section and 0,564 mm dia (1.5 mm dia with insulation), outside diameter of cable including insulation is 1.5 mm.

**For further details see overleaf.**

## Dimensions in mm



## Electrical connections



## Combinations of variants

Code	S	T	F	KV	KH	G	AK
S		X	X	X	-	X	X
T	X		*	-	-	-	X
F	X	*		X	X	X	X
KV	X	-	X		X	*	X
KH	-	X	X	X		X	X
G	X	-	-	*	X		X
AK	X	X	X	X	X	X	

## Dimensions (mm) and masses (g) of standard versions

Stroke	25.4	50.8	101.6	152.4	203.2	254	304.8	406.4	508
<b>W ± 0.5</b>	59.5	85	160	-	-	-	-	-	-
<b>X</b>	54	79.4	130.2	181	231	282.6	333.4	435	536.6
<b>Y</b>	49.2	74.6	125.4	-	-	-	-	-	-
<b>Mass</b>	70	95	145	195	260	315	365	480	585

\* F will always be combined with T and KV + KH.