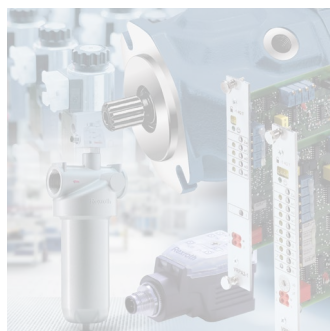
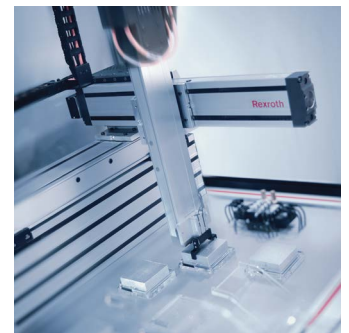
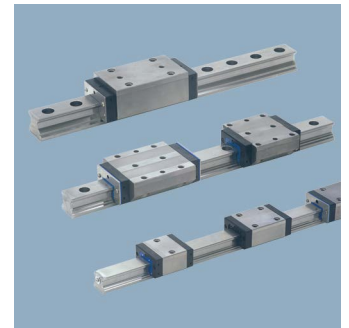


GoTo™ North America Focused Delivery Program Linear Motion Technologies



World-class technology without the wait

Whether you're designing and building machines, implementing them in your factory, or servicing them, the GoTo Program is ready to work for you.

GoTo Product Overviews



► **Electric Drives and Controls**



► **Tightening Technology**



► **Industrial and Mobile Hydraulics**

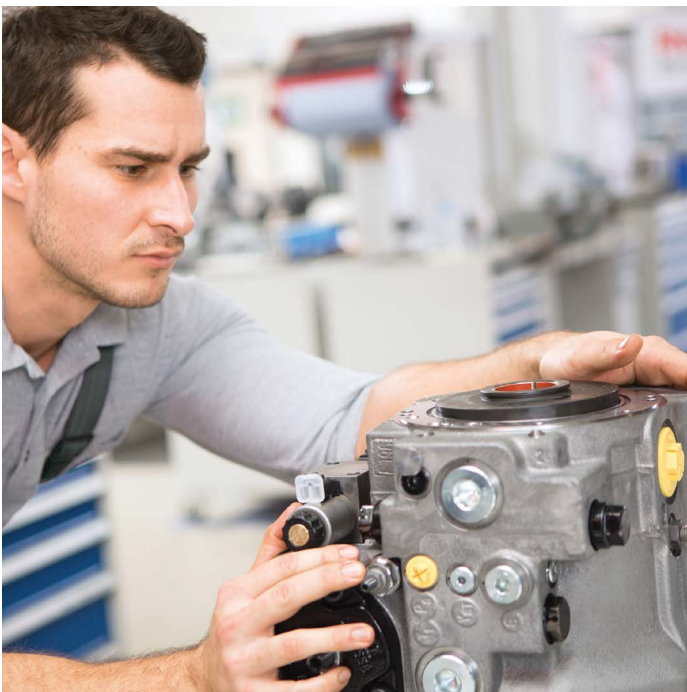


► **Linear Motion Technologies**



► **Assembly Technologies**

The GoTo Focused Delivery Program offers a targeted selection of our high-demand products with short lead times and high availability. As a result, you receive your products quickly and reliably, allowing you to be agile and responsive in your own markets.



You benefit from simplified access to product information, preferred order processing and reduced delivery times. This allows you to complete your machine or system on schedule.

Our GoTo product overviews, whether in printed form or on the Internet, show you the complete portfolio. In addition, our webpages quickly provide you with additional information on the respective product, on the technical data as well as on ordering.

www.boschrexroth-us.com/gotoEDC

www.boschrexroth-us.com/gotoTighteningSystems

www.boschrexroth-us.com/gotoHydraulics

www.boschrexroth-us.com/gotoLinear

www.boschrexroth-us.com/gotoFraming

Linear Motion GoTo Catalog

Bosch Rexroth is pleased to present our Linear Motion GoTo Product catalog as part of our GoTo Focused Delivery Program.

The GoTo Focused Delivery Program streamlines everything to make it easier for you to get a selection of our most popular Rexroth products faster. You'll benefit from quicker access to product information, reliable lead times that meet or beat the expectations of the market, and enhanced customer service.

The same GoTo product portfolio is now available in the United States, Canada, and Mexico. With the same quantities and lead times (from order acceptance to shipment in business days), GoTo is even easier to use.

For additional information on the GoTo Program and a complete list of other quality Rexroth products available in the Focused Delivery Program just go to:

USA: www.boschrexroth-us.com/GoTo

Canada: www.boschrexroth.ca/GoTo

Mexico: www.boschrexroth.com.mx/GoTo



GoTo Focused Delivery Program

Your local GoTo contact:

GoTo Program Delivery Conditions

How to place a GoTo order directly with Bosch Rexroth

Please clearly state “GoTo” on the purchase order, and ensure that all GoTo items are within the maximum GoTo quantity.

For products with a published lead time of one (1) business day, the ship date will be the following day, provided:

- the following day is a business day
- the order is placed by 1 PM (EST)

The contents of a GoTo order may not ship as a complete delivery and will not be shipped via the customer defined consolidation point / day.

All items subject to prior sale. It is advisable to confirm critical delivery requirements at time of order. All sales subject to Bosch Rexroth Terms & Conditions of sales for your country, which you can read at:

www.boschrexroth-us.com or
www.boschrexroth.ca or
www.boschrexroth.com.mx

Bosch Rexroth reserves the right to make program changes at any time without notice.

WARNING!

Failure, improper selection or improper use of the products and/or systems described herein or of related items may cause personal injury or property damage.

This document and other information from Bosch Rexroth Corporation, Bosch Rexroth Canada Corporation, and Bosch Rexroth S.A. de C.V., including its divisions, provide products and/or system options for further investigation by users having technical expertise. It is important that you analyze all aspects of your application and review the information concerning the products or systems in Rexroth’s Data Sheets. Due to the variety of operating conditions and applications for these products or systems, the user, through his own analysis and testing, is solely responsible for making the final selection of the products and systems, and assuring that all performance, safety and warning requirements are met.

The products described herein, including without limitation, product features, specifications, designs and pricing are subject to change at anytime without notice.

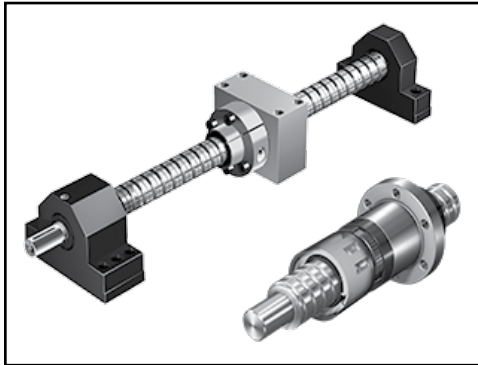
Table of Contents

Ball Screws	8
Ball Nuts	10
End Bearings / Pillow Blocks	13
Ball Transfer Units	15
Linear Bushings	16
Shafts	18
Ball Rails - Rail System	20
Ball Rails - Wide Rail Systems	22
Ball Rails - Short Runner Blocks	23
Ball Rails - Standard Runner Blocks	25
Ball Rails - Long Runner Blocks	27
Ball Rails - Wide Runner Blocks	29
Ball Rails - Accessories - Front Seals	30
Ball Rails - Accessories - Scraper Plates	31
Ball Rails - Accessories - Front Lube Unit	32
Roller Rails - Rail System	33
Roller Rails - Standard Runner Blocks	35
Roller Rails - Long Runner Blocks	36
Mini Ball Rails	37
EMC Electromechanical Cylinders - Actuators	39
EMC Electromechanical Cylinders - Mounting Elements	41
PSK Precision Modules - Ball Screw Drive	43
PSK Precision Modules - Accessories	45
PSK Precision Modules - Spare Parts	46
CKK Compact Modules	48

CKR Compact Modules	50
CKx Compact Modules - Motor Assemblies	52
CKx Compact Modules - Mounting Accessories	54
CKx Compact Modules - Spare Parts	55
MKR Linear Module - Toothed Belt Drive	57
MKR Linear Module - Mounting Accessories	58
MKR Linear Module - Spare Parts	59
EasyHandling - Connection Kits	61
EasyHandling - Two Axis Assemblies	63

GoTo Focused Delivery Program: Ball Screws

Ball Screws



Rexroth Precision Ball Screw Assemblies provide technical designers with diverse solutions for positioning and transport tasks with driven screws or also with driven nuts. Rexroth Ball Screw Assemblies available in the GoTo program are available in sizes 12mm-40mm, T5 accuracy (+/- 0.023/300mm), clearance and preloaded configurations.

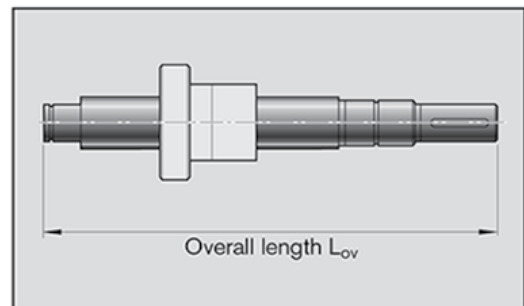
For complete engineering and design information: **GoTo** www.boschrexroth-us.com/GoToBallscrews

Features

- Complete line of Ball Screw diameter and lead combinations, ball nuts and end bearings for complete design flexibility
- Available fully machined with Bosch Rexroth’s standard end configurations (excluding Z and S options for machining of end face)

Technical Data

Diameter (mm)	Leads (mm)	Available Front Lube Unit?	Lead Accuracy	Maximum Lengths (mm)		
12	5	No	T5 (0.023/300 mm)	up to 1500 mm		
	10					
16	5					
	10					
	16					
20	5				Yes	T5 (0.023/300 mm)
	20					
25	5					
	10					
	25					
32	5					
	10					
	20					
	32					
40	5	Yes	T5 (0.023/300 mm)	up to 4500 mm		
	10					
	20					
	40					

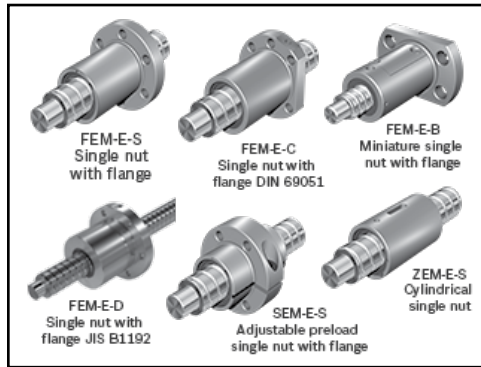


Order Definition Requirements
<ul style="list-style-type: none"> • Diameter • Lead • Lead accuracy • Overall length • Ball Nut type and preload • End machining • Lubrication: with Front Lube Unit, greased, or preserved only

Part Number	Description	Max. Quantity	Shipment (Business Days)
R153049990	Machined Ball Screw Assembly, size 12x10,T5 Accuracy	3	7 day(s)
R153046990	Machined Ball Screw Assembly, size 12x5,T5 Accuracy	3	7 day(s)
R151004990	Machined Ball Screw Assembly, size 16x10,T5 Accuracy	3	7 day(s)
R151006990	Machined Ball Screw Assembly, size 16x16,T5 Accuracy	3	7 day(s)
R151001990	Machined Ball Screw Assembly, size 16x5,T5 Accuracy	3	7 day(s)
R151017990	Machined Ball Screw Assembly, size 20x20,T5 Accuracy	3	7 day(s)
R151011990	Machined Ball Screw Assembly, size 20x5,T5 Accuracy	3	7 day(s)
R151024990	Machined Ball Screw Assembly, size 25x10,T5 Accuracy	3	7 day(s)
R151028990	Machined Ball Screw Assembly, size 25x25,T5 Accuracy	3	7 day(s)
R151021990	Machined Ball Screw Assembly, size 25x5,T5 Accuracy	3	7 day(s)
R151034990	Machined Ball Screw Assembly, size 32x10,T5 Accuracy	3	7 day(s)
R151037990	Machined Ball Screw Assembly, size 32x20,T5 Accuracy	3	7 day(s)
R151039990	Machined Ball Screw Assembly, size 32x32,T5 Accuracy	3	7 day(s)
R151031990	Machined Ball Screw Assembly, size 32x5,T5 Accuracy	3	7 day(s)
R151044990	Machined Ball Screw Assembly, size 40x10,T5 Accuracy	3	7 day(s)
R151047990	Machined Ball Screw Assembly, size 40x20,T5 Accuracy	3	7 day(s)
R151049990	Machined Ball Screw Assembly, size 40x40 ,T5 Accuracy	3	7 day(s)
R151041990	Machined Ball Screw Assembly, size 40x5,T5 Accuracy	3	7 day(s)

GoTo Focused Delivery Program: Ball Nuts

Ball Nuts



Rexroth precision ball nuts are available in a variety of DIN sizes and styles offering a solution to any screw driven application. The smooth operating designs have no protruding parts and are very easily mountable. Ball nuts sold individually are available without preload.

For complete engineering and design information: **GoTo** www.boschrexroth-us.com/GoToBallnuts

Features

- Smooth, quiet and consistent motion with the Rexroth internal recirculation system
- Capable of high speeds and acceleration rates
- High dynamic load capability
- Effective full contact sealing
- Available in preload (when provided as an assembly) or clearance configurations

Technical Data

FEM-E-S & FEM-E-C Ball Nuts							
	Leads						
	5 10 16 20 25 32 40						
Diameters	12						
	16						
	20						
	25						
	32						
	40						

FEM-E-B Ball Nuts		
	Leads	
	5 10	
Diameters	12	

FEM-E-D Ball Nuts				
	Leads			
	5 10 20 40			
Diameters	20			
	25			
	32			
	40			

SEM-E-S Ball Nuts			
	Leads		
	5 20 25		
Diameters	16		
	20		
	25		
	32		
	40		

ZEM-E-S Ball Nuts			
	Leads		
	5 10 20		
Diameters	20		
	25		

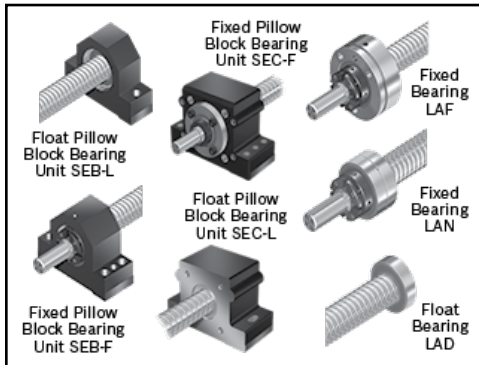
 Ball nuts available in the GoTo Program

Part Number	Description	Max. Quantity	Shipment (Business Days)
R1512170A0	FEM-E-D 20X20RX3,5-2	3	1 day(s)
R1512110A0	FEM-E-D 20X5RX3-4	3	1 day(s)
R1512240A0	FEM-E-D 25X10RX3-4	3	1 day(s)
R1512210A0	FEM-E-D 25X5RX3-4	3	1 day(s)
R1512340A0	FEM-E-D 32X10RX3,969-5	3	1 day(s)
R1512370A0	FEM-E-D 32X20RX3,969-2	3	1 day(s)
R1512310A0	FEM-E-D 32X5RX3,5-4	3	1 day(s)
R1512440A0	FEM-E-D 40X10RX6-4	3	1 day(s)
R1512470A0	FEM-E-D 40X20RX6-3	3	1 day(s)
R1512490A0	FEM-E-D 40X40RX6-2	3	1 day(s)
R1512410A0	FEM-E-D 40X5RX3,5-5	3	1 day(s)
R153249006	FEMEB Ball nut 12x10	3	1 day(s)
R153246006	FEMEB Ball nut 12x5	3	1 day(s)
R150204085	FEMEC Ball nut 16x10	3	1 day(s)
R150206065	FEMEC Ball nut 16x16	3	1 day(s)
R150201065	FEMEC Ball nut 16x5	3	1 day(s)
R150217065	FEMEC Ball nut 20x20	3	1 day(s)
R150211085	FEMEC Ball nut 20x5	3	1 day(s)
R150224085	FEMEC Ball nut 25x10	3	1 day(s)
R150228065	FEMEC Ball nut 25x25	3	1 day(s)
R150221085	FEMEC Ball nut 25x5	3	1 day(s)
R150234086	FEMEC Ball nut 32x10	3	1 day(s)
R150237065	FEMEC Ball nut 32x20	3	1 day(s)
R150239065	FEMEC Ball nut 32x32	3	1 day(s)
R150231085	FEMEC Ball nut 32x5	3	1 day(s)
R150244085	FEMEC Ball nut 40x10	3	1 day(s)
R150247085	FEMEC Ball nut 40x20	3	1 day(s)
R150249065	FEMEC Ball nut 40x40	3	1 day(s)
R150241086	FEMEC Ball nut 40x5	2	1 day(s)
R153246023	FEMES Ball nut 12x5	3	1 day(s)
R151204013	FEMES Ball nut 16x10	3	1 day(s)
R151206013	FEMES Ball nut 16x16	3	1 day(s)
R151201023	FEMES Ball nut 16x5	3	1 day(s)
R151217013	FEMES Ball nut 20x20	3	1 day(s)
R151211013	FEMES Ball nut 20x5	3	1 day(s)
R151224013	FEMES Ball nut 25x10	3	1 day(s)
R151228013	FEMES Ball nut 25x25	3	1 day(s)
R151221013	FEMES Ball nut 25x5	3	1 day(s)
R151234013	FEMES Ball nut 32x10	3	1 day(s)
R151237013	FEMES Ball nut 32x20	3	1 day(s)
R151239013	FEMES Ball nut 32x32	3	1 day(s)
R151231013	FEMES Ball nut 32x5	3	1 day(s)
R151244013	FEMES Ball nut 40x10	3	1 day(s)
R151247013	FEMES Ball nut 40x20	3	1 day(s)
R151249013	FEMES Ball nut 40x40	3	1 day(s)
R151241013	FEMES Ball nut 40x5	3	1 day(s)
R151201024	SEM-E-S 16X5RX3-4	3	1 day(s)
R151211014	SEM-E-S 20X5RX3-4	3	1 day(s)
R151228014	SEMES Ball Nut 25x25	3	1 day(s)
R151221014	SEMES Ball Nut 25x5	3	1 day(s)
R151231014	SEMES Ball Nut 32x5	3	1 day(s)
R151247014	SEMES Ball Nut 40x20	3	1 day(s)

R151241014	SEMES Ball Nut 40x5	3	1 day(s)
R151217012	ZEMES Ball Nut 20x20	3	1 day(s)
R151224012	ZEMES Ball Nut 25x10	3	1 day(s)
R151221012	ZEMES Ball Nut 25x5	3	1 day(s)

GoTo Focused Delivery Program: End Bearings / Pillow Blocks

End Bearings / Pillow Blocks



Rexroth precision ball screw assemblies are available with GoTo steel pillow blocks or bearing units complete with matching slotted nuts. These enable easy installation due to the variable fixture option and reference edges as well as the use of pre-machined pin holes that provide increased mounting accuracy.

For complete engineering and design information: **GoTo** www.boschrexroth-us.com/GoToPillowblocks

Features

- Easy installation due to variable fixture options, along with reference edges
- High axial load capacity with precision angular contact bearings
- Available from stock in variety of sizes
- Effective full contact sealing

Technical Data

Ball Screw Pillow Block Bearing Units

Ball Screw Size $d_0 \times P$	SEB-F (Fixed) Load Ratings		SEB-L (Float) Load Ratings		SEC-F (Fixed) Load Ratings		SEC-L (Float) Load Ratings	
	dyn. C (N)	stat C_0 (N)	dyn. C (N)	stat C_0 (N)	dyn. C (N)	stat C_0 (N)	dyn. C (N)	stat C_0 (N)
12x5/10	6,900	8,500	2,450	900	—	—	—	—
16x5/10/16	13,400	18,800	6,000	2,240	—	—	—	—
20x5/20 (12 mm ID)	17,000	24,700	6,950	2,650	17,000	24,700	7,800	3,250
25x5/10/25	18,800	31,000	9,500	4,150	—	—	—	—
32x5/10/20/32 (20 mm ID)	26,000	47,000	12,700	5,700	26,000	47,000	12,700	5,700
40x5	29,000	64,000	19,300	9,800	29,000	64,000	19,300	9,800
40x10/20/40	44,500	111,000	19,300	9,800	29,000	64,000	19,300	9,800

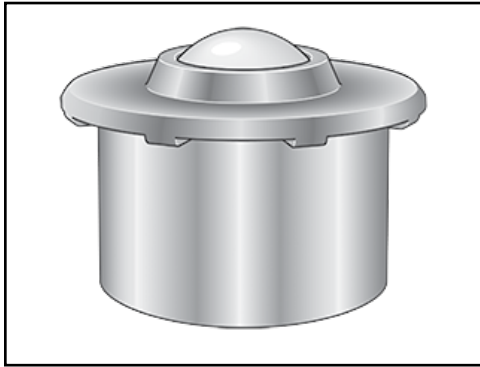
Ball Screw Support Bearings

Ball Screw Size $d_0 \times P$	LAF (Fixed) Load Ratings		LAN (Fixed) Load Ratings		LAD (Float) Load Ratings	
	dyn. C (N)	stat C_0 (N)	dyn. C (N)	stat C_0 (N)	dyn. C (N)	stat C_0 (N)
12x5/10	—	—	6,900	8,500	2,450	900
16x5/10/16	—	—	13,400	18,800	6,000	2,240
20x5/20 (12 mm ID)	17,000	24,700	17,000	24,700	—	—
20x5/20 (15 mm ID)	—	—	—	—	7,800	3,250
25x5/10/25	18,800	31,000	18,800	31,000	9,500	4,150
32x5/10/20/32 (20 mm ID)	26,000	47,000	26,000	47,000	12,700	5,700
32x5/10/20/32 (25 mm ID)	—	—	—	—	14,300	6,950
40x5	29,000	64,000	29,000	64,000	19,300	9,800
40x10/20/40	44,500	111,000	44,500	111,000	19,300	9,800

Part Number	Description	Max. Quantity	Shipment (Business Days)
R159060600	Bearing LAD 12x5/10	3	1 day(s)
R159061000	Bearing LAD 16x5/10/16	2	1 day(s)
R159061500	Bearing LAD 20x5/20 (15mm ID)	2	1 day(s)
R159061700	Bearing LAD 25x5/10/25	3	1 day(s)
R159062000	Bearing LAD 32x5/10/20/32 (20mm ID)	3	1 day(s)
R159062500	Bearing LAD 32x5/10/20/32 (25mm ID)	3	1 day(s)
R159063000	Bearing LAD 40x5/10/20/40	3	1 day(s)
R159001200	Bearing LAF 20x5/20	3	1 day(s)
R159001730	Bearing LAF 25x5/10/25	3	1 day(s)
R159002030	Bearing LAF 32x5/10/20/32	3	1 day(s)
R159032530	Bearing LAF 40x10/20/40	3	1 day(s)
R159003030	Bearing LAF 40x5	3	1 day(s)
R159010600	Bearing LAN 12x5/10	3	1 day(s)
R159011000	Bearing LAN 16x5/10/16	3	1 day(s)
R159011200	Bearing LAN 20x5/20	3	1 day(s)
R159011730	Bearing LAN 25x5/10/25	3	1 day(s)
R159012030	Bearing LAN 32x5/10/20/32	3	1 day(s)
R159022530	Bearing LAN 40x10/20/40	3	1 day(s)
R159013030	Bearing LAN 40x5	2	1 day(s)
R159110620	Pillow Block SEB-F 12x5/10	3	1 day(s)
R159111020	Pillow Block SEB-F 16x5/10/16	3	1 day(s)
R159111220	Pillow Block SEB-F 20x5/20	3	1 day(s)
R159111730	Pillow Block SEB-F 25x5/10/25 NMA Locknut	3	1 day(s)
R159111720	Pillow Block SEB-F 25x5/10/25 NMZ Locknut	3	1 day(s)
R159112030	Pillow Block SEB-F 32x5/10/20/32 NMA Locknut	3	1 day(s)
R159112020	Pillow Block SEB-F 32x5/10/20/32 NMZ Locknut	3	1 day(s)
R159122530	Pillow Block SEB-F 40x10/20/40	3	1 day(s)
R159113030	Pillow Block SEB-F 40x5	3	1 day(s)
R159160620	Pillow Block SEB-L 12x5/10	3	1 day(s)
R159161020	Pillow Block SEB-L 16x5/10/16	3	1 day(s)
R159161220	Pillow Block SEB-L 20x5/20	3	1 day(s)
R159161720	Pillow Block SEB-L 25x5/10/25	3	1 day(s)
R159162020	Pillow Block SEB-L 32x5/10/20/32	3	1 day(s)
R159163010	Pillow Block SEB-L 40x10/20/40	3	1 day(s)
R159163020	Pillow Block SEB-L 40x5	3	1 day(s)
R159401200	Pillow Block SEC-F 20x5/20	3	1 day(s)
R159402000	Pillow Block SEC-F 32x5/10/20/32	3	1 day(s)
R159403000	Pillow Block SEC-F 40x5/10/20/40	3	1 day(s)
R159461500	Pillow Block SEC-L 20x5/20	3	1 day(s)
R159462000	Pillow Block SEC-L 32x5/10/20/32	3	1 day(s)
R159463000	Pillow Block SEC-L 40x5/10/20/40	3	1 day(s)

GoTo Focused Delivery Program: Ball Transfer Units

Ball Transfer Units



Rexroth Ball Transfer Units make light work of shifting, rotating and directing unit loads. They have proven extremely valuable as integral parts of conveyor systems, feed devices, and machining and packaging equipment. Rexroth Ball Transfer Units with Galvanized cover and housing are available in the GoTo program with ball diameter sizes from 8 to 45 mm.

For complete engineering and design information: **GoTo** www.boschrexroth-us.com/GoToBallTransfer

Features

- Easy mounting and extraction
- Precise rolling and full load bearing capability in any mounting orientation
- Smooth running
- Conveying speed up to 2 m/sec in all types
- Consistently high quality

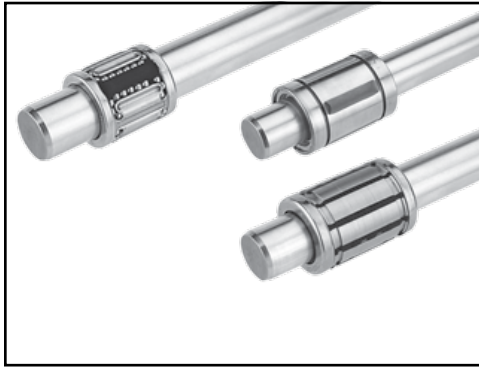
Technical Data

Ball Diameter Size	Load Capacity C (N)
8	100
12	250
15	500
22	1300
30	2500
45	6000

Part Number	Description	Max. Quantity	Shipment (Business Days)
R053612210	BALL TRANSFER UNIT KUK-B22-MFG	40	1 day(s)
R053371200	BALL TRANSFER UNIT KUM-A12-OFK	50	1 day(s)
R053511510	BALL TRANSFER UNIT KUS-B15-MFG	50	1 day(s)
R053011510	Ball Transfer Units with Sheet Steel Housing	50	1 day(s)
R053011210	Ball Transfer Units with Sheet Steel Housing 12MM	40	1 day(s)
R053012210	Ball Transfer Units with Sheet Steel Housing 22MM	50	1 day(s)
R053013010	Ball Transfer Units with Sheet Steel Housing 30MM	25	1 day(s)
R053014510	Ball Transfer Units with Sheet Steel Housing 45MM	15	1 day(s)
R053010810	Ball Transfer Units with Sheet Steel Housing 8MM	50	1 day(s)

GoTo Focused Delivery Program: Linear Bushings

Linear Bushings



Bosch Rexroth is the global leader in metric bushings. Whether you need standard bushings or cut-to-length linear shafts, our products are available in inch and metric sizes. Offered in a wide range of standard bearing housings, mountings, seals, shaft supports, and end finishes, our products can be interchanged with those of other major manufacturers.

For complete engineering and design information: **GoTo** www.boschrexroth-us.com/GoToBushings

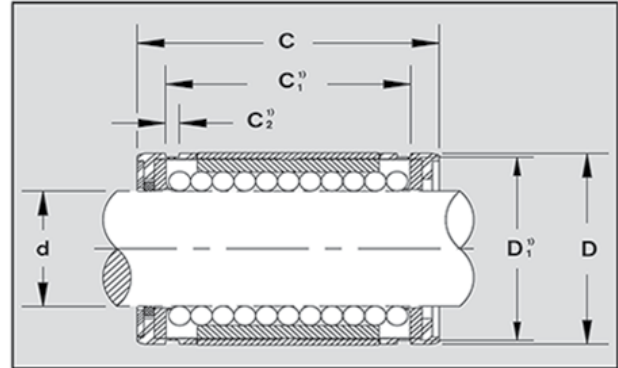
Features

- Small overall dimensions for especially compact construction
- Integrated metal retainer rings
- Integrated seals, external seals or without seals

Technical Data

Dimensions: Metric Bushings (mm) Standard and Super Series

Bore/d	D	C	C ₁ H13	C ₂	D ₁	
					Standard	Super
8	16	25	16.2	1.10	14.7	—
12	22	32	22.6	1.30	20.5	21.0
16	26	36	24.6	1.30	24.9	24.9
20	32	45	31.2	1.60	30.5	30.5
25	40	58	43.7	1.85	38.5	38.5
30	47	68	51.7	1.85	44.5	44.5
40	62	80	60.3	2.15	58.0	58.5
50	75	100	77.3	2.65	—	71.5



Note: C₁, C₂ and D refer to the snap ring groove

Dimensions: Inch Bushings (inches) Standard and Super Series

Bore/d	D	C	C ₁		C ₂	D ₁
			Standard	Super		
0.3750	0.6250	0.8750	0.6385	—	0.0390	0.5880
0.5000	0.8750	1.2500	0.9625	—	0.0459	0.8209
0.6250	1.1250	1.5000	—	1.1120	0.0559	1.0590
0.7500	1.2500	1.6250	1.1657	—	0.0559	1.1760
1.0000	1.5625	2.2500	1.7547	1.8860	0.0679	1.4687
1.2500	2.0000	2.6250	2.0047	—	0.0679	1.8859
1.5000	2.3750	3.0000	2.4118	2.4220	0.0859	2.2389
2.0000	3.0000	4.0000	3.1917	—	0.1029	2.8379

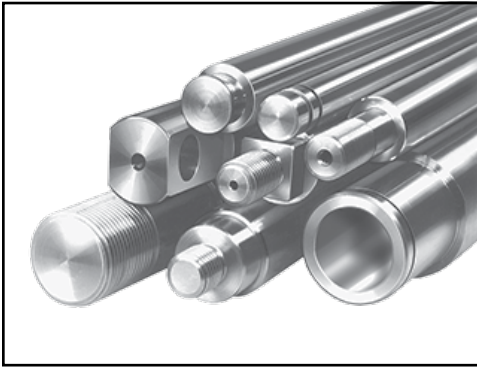
Dimensions: Metric Bushing (mm) Compact Series

Bore/d	D	C
12	19	28
16	24	30
20	28	30
25	35	40
30	40	50
40	52	60
50	62	70

Part Number	Description	Max. Quantity	Shipment (Business Days)
R065821240	Compact 12mm	20	1 day(s)
R065821640	Compact 16mm	20	1 day(s)
R065822040	Compact 20mm	20	1 day(s)
R065822540	Compact 25mm	20	1 day(s)
R065823040	Compact 30mm	20	1 day(s)
R065824040	Compact 40mm	20	1 day(s)
R065825040	Compact 50mm	20	1 day(s)
R175771600	Linear sets, aluminum open 1 inch	5	1 day(s)
R175770800	Linear sets, aluminum open 1/2 inch	5	1 day(s)
R061201210	Standard, adjustable 12mm, w/ two seals	20	1 day(s)
R061201610	Standard, adjustable 16mm, w/ two seals	20	1 day(s)
R075021600	Standard, closed 1 inch	20	1 day(s)
R075001600	Standard, closed 1 inch	20	1 day(s)
R075521600	Standard, closed 1 inch, w/ two seals	20	1 day(s)
R075022400	Standard, closed 1-1/2 inch	20	1 day(s)
R075022000	Standard, closed 1-1/4 inch	20	1 day(s)
R075020800	Standard, closed 1/2 inch	20	1 day(s)
R060201210	Standard, closed 12mm	20	1 day(s)
R060201610	Standard, closed 16mm	20	1 day(s)
R075023200	Standard, closed 2 inch	20	1 day(s)
R060202010	Standard, closed 20mm	20	1 day(s)
R060202510	Standard, closed 25mm	20	1 day(s)
R075021200	Standard, closed 3/4 inc	20	1 day(s)
R075020600	Standard, closed 3/8 inch	20	1 day(s)
R075000600	Standard, closed 3/8 inch	20	1 day(s)
R060203010	Standard, closed 30mm	20	1 day(s)
R060204010	Standard, closed 40mm	20	1 day(s)
R060230810	Standard, closed 8mm	20	1 day(s)
R075522400	Super, closed 1-1/2 inch	10	1 day(s)
R067021240	Super, closed 12mm	20	1 day(s)
R067021640	Super, closed 16mm	20	1 day(s)
R067022040	Super, closed 20mm	20	1 day(s)
R067022540	Super, closed 25mm	20	1 day(s)
R067023040	Super, closed 30mm	20	1 day(s)
R067024040	Super, closed 40mm	20	1 day(s)
R075521000	Super, closed 5/8 inch	20	1 day(s)
R067025040	Super, closed 50mm	10	1 day(s)

GoTo Focused Delivery Program: Shafts

Shafts



Rexroth offers cut-to-length shafts. The shafting can be used as guides for linear bushings or individually as rollers, pistons or axles.

For complete engineering and design information: **GoTo** www.boschrexroth-us.com/GoToShafts

Features

- Induction hardened and ground
- Available in various tolerances (GoTo Program: h6 or L only)
- With chamfers to protect the Linear Bushing seal

Technical Data

Tolerances for steel shafts

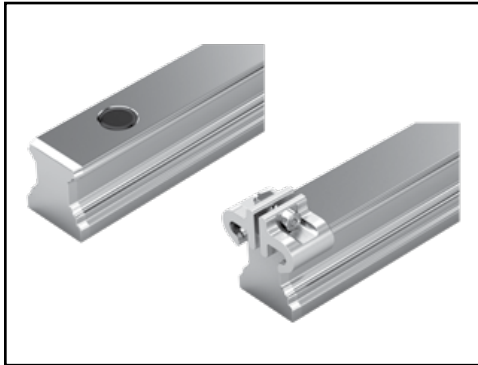
Nominal diameter d (mm)	over to	1	3	6	10	18	30	50	80
		3	6	10	18	30	50	80	120
Diameter tolerance (μm)	h6	0 -6	0 -8	0 -9	0 -11	0 -13	0 -16	0 -19	0 -22
	h7	0 -10	0 -12	0 -15	0 -18	0 -21	0 -25	0 -30	0 -35
Roundness t_1 (μm)	h6	3	4	4	5	6	7	8	10
	h7	4	5	6	8	9	11	13	15
Taper t_2 (μm)	h6	4	5	6	8	9	11	13	15
	h7	6	8	9	11	13	16	19	22
Straightness t_3 ($\mu\text{m}/\text{m}$)		150	150	120	100	100	100	100	100
Surface roughness (Ra) (μm)		0.32	0.32	0.32	0.32	0.32	0.32	0.32	0.32

Nominal diameter (in)	over to	0 1/4	1/4 3/8	3/8 5/8	5/8 1	1 2	2 3	3 4
Roundness L	(in)	0.00025	0.00015	0.00020	0.00035	0.00043	0.00051	0.00059
Taper L	(in)	0.00020	0.00024	0.00032	0.00035	0.00043	0.00051	0.00059
Straightness	(in)	0.0015	0.0015	0.0015	0.0015	0.0015	0.0015	0.0015
Measured value t_1	(in)	0.00025	0.00015	0.00020	0.00035	0.00043	0.00051	0.00059
Surface roughness (Ra) (μin)		13	13	13	13	13	13	13

Part Number	Description	Max. Quantity	Shipment (Business Days)
R170001608	Shaft 1 inch	8	1 day(s)
R170002408	Shaft 1-1/2 inch	8	1 day(s)
R170002008	Shaft 1-1/4 inch	8	1 day(s)
R170001208	Shaft 3/4 inch	10	1 day(s)
R170000608	Shaft 3/8 inch	10	1 day(s)
R100001200	Shaft metric 12mm	10	1 day(s)
R100001600	Shaft metric 16mm	10	1 day(s)
R100002000	Shaft metric 20mm	10	1 day(s)
R100002500	Shaft metric 25mm	10	1 day(s)
R100003000	Shaft metric 30mm	10	1 day(s)
R100004000	Shaft metric 40mm	10	1 day(s)
R100005000	Shaft metric 50mm	10	1 day(s)

GoTo Focused Delivery Program: Ball Rails

Ball Rails - Rail System




Rexroth Ball Rail Systems in the GoTo program are available in sizes 15-45 with N accuracy. Rails are cut to length, in 1mm increments. To assure your Ball Rail System can be shipped on the following day, please limit the overall length to 3900 mm.

For complete engineering and design information: **GoTo www.boschrexroth-us.com/GoToBallrails**

Features

- Optimum system rigidity in all directions with O Arrangement
- High torsional load capacity
- Available in two Top Mount configurations with Plastic Hole Plugs or with the Rail Seal for optimum contamination protection
- Offered in 1 mm increments up to 3900mm

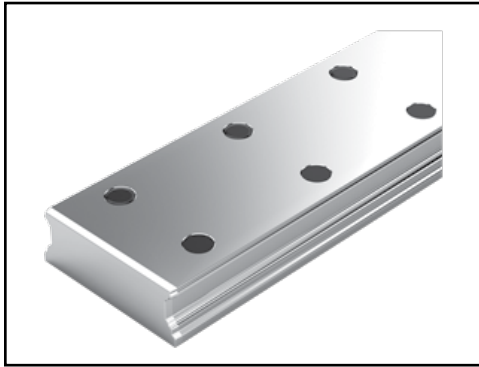
Technical Data

Size	Accuracy Class	A2 (mm)				GoTo L Max (mm)
			H2 Hole Plug Version (mm)	H2 Rail Seal (mm)	T Hole Spacing (mm)	
15	N, H, or P	15	16.20	16.30	60	3900
20		20	20.55	20.75	60	
25		23	24.25	24.45	60	
30		28	28.35	28.55	80	
35		34	31.85	32.15	80	
45		45	39.85	40.15	105	

Part Number	Description	Max. Quantity	Shipment (Business Days)
R160510331	B.GUIDE RAIL CS KSA-015-SNS-H-MA-AK	20	1 day(s)
R160513331	B.GUIDE RAIL CS KSA-015-SNS-H-MA-BS	20	1 day(s)
R160510231	B.GUIDE RAIL CS KSA-015-SNS-P-MA-AK	20	1 day(s)
R160513231	B.GUIDE RAIL CS KSA-015-SNS-P-MA-BS	20	1 day(s)
R160580331	B.GUIDE RAIL CS KSA-020-SNS-H-MA-AK	20	1 day(s)
R160583331	B.GUIDE RAIL CS KSA-020-SNS-H-MA-BS	20	1 day(s)
R160580231	B.GUIDE RAIL CS KSA-020-SNS-P-MA-AK	20	1 day(s)
R160583231	B.GUIDE RAIL CS KSA-020-SNS-P-MA-BS	20	1 day(s)
R160520331	B.GUIDE RAIL CS KSA-025-SNS-H-MA-AK	20	1 day(s)
R160523331	B.GUIDE RAIL CS KSA-025-SNS-H-MA-BS	20	1 day(s)
R160520231	B.GUIDE RAIL CS KSA-025-SNS-P-MA-AK	20	1 day(s)
R160523231	B.GUIDE RAIL CS KSA-025-SNS-P-MA-BS	20	1 day(s)
R160570331	B.GUIDE RAIL CS KSA-030-SNS-H-MA-AK	20	1 day(s)
R160573331	B.GUIDE RAIL CS KSA-030-SNS-H-MA-BS	20	1 day(s)
R160570231	B.GUIDE RAIL CS KSA-030-SNS-P-MA-AK	20	1 day(s)
R160573231	B.GUIDE RAIL CS KSA-030-SNS-P-MA-BS	20	1 day(s)
R160530331	B.GUIDE RAIL CS KSA-035-SNS-H-MA-AK	20	1 day(s)
R160533361	B.GUIDE RAIL CS KSA-035-SNS-H-MA-BS	20	1 day(s)
R160530231	B.GUIDE RAIL CS KSA-035-SNS-P-MA-AK	20	1 day(s)
R160533261	B.GUIDE RAIL CS KSA-035-SNS-P-MA-BS	20	1 day(s)
R160540331	B.GUIDE RAIL CS KSA-045-SNS-H-MA-AK	20	1 day(s)
R160543361	B.GUIDE RAIL CS KSA-045-SNS-H-MA-BS	20	1 day(s)
R160540231	B.GUIDE RAIL CS KSA-045-SNS-P-MA-AK	20	1 day(s)
R160543261	B.GUIDE RAIL CS KSA-045-SNS-P-MA-BS	20	1 day(s)
R160510431	Ball Rail 15mm, with Plastic Hole Plugs, N Accuracy	20	1 day(s)
R160513431	Ball Rail 15mm, with Rail Seal and Clip Retainers	20	1 day(s)
R160580431	Ball Rail 20mm, with Plastic Hole Plugs, N Accuracy	20	1 day(s)
R160583431	Ball Rail 20mm, with Rail Seal and Clip Retainers	20	1 day(s)
R160520431	Ball Rail 25mm, with Plastic Hole Plugs, N Accuracy	20	1 day(s)
R160523431	Ball Rail 25mm, with Rail Seal and Clip Retainers	20	1 day(s)
R160570431	Ball Rail 30mm, with Plastic Hole Plugs, N Accuracy	20	1 day(s)
R160573431	Ball Rail 30mm, with Rail Seal and Clip Retainers	20	1 day(s)
R160530431	Ball Rail 35mm, with Plastic Hole Plugs, N Accuracy	20	1 day(s)
R160533461	Ball Rail 35mm, with Rail Seal and Clip Retainers	20	1 day(s)
R160540431	Ball Rail 45mm, with Plastic Hole Plugs, N Accuracy	20	1 day(s)
R160543461	Ball Rail 45mm, with Rail Seal and Clip Retainers	20	1 day(s)

GoTo Focused Delivery Program: Ball Rails

Ball Rails - Wide Rail Systems



Rexroth Wide Ball Rail Systems in the GoTo program are available in sizes 25/70 and 35/90 with N accuracy. Rails are cut to length, in 1 mm increments.

For complete engineering and design information: **GoTo** www.boschrexroth-us.com/GoToBallrails

Features

- Optimum system rigidity in all directions with O Arrangement
- High torsional load capacity
- Available in Top Mount configuration with Plastic Hole Plugs
- Offered in 1 mm increments up to 3900mm

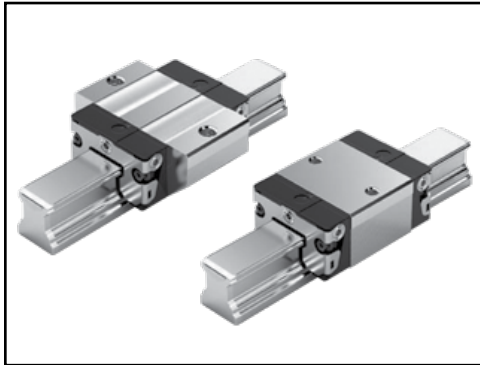
Technical Data

Size	Accuracy Class	A2 (mm)	H2 Hole Plug Version (mm)			GoTo L Max (mm)
				T Hole Spacing (mm)	T3 Hole Spacing (mm)	
20/40	N, H, P	42	18.30	60	24	3900
25/70		69	23.55	80	40	
35/90		90	31.85	80	60	

Part Number	Description	Max. Quantity	Shipment (Business Days)
R167520331	B.GUIDE RAIL CS KSA-025-BNS-H-MA-AK	10	1 day(s)
R167520231	B.GUIDE RAIL CS KSA-025-BNS-P-MA-AK	10	1 day(s)
R167530331	B.GUIDE RAIL CS KSA-035-BNS-H-MA-AK	10	1 day(s)
R167530231	B.GUIDE RAIL CS KSA-035-BNS-P-MA-AK	10	1 day(s)
R167550331	B.GUIDE RAIL CS KSD-020-BNS-H-MA-AK	10	1 day(s)
R167550431	B.GUIDE RAIL CS KSD-020-BNS-N-MA-AK	10	1 day(s)
R167550231	B.GUIDE RAIL CS KSD-020-BNS-P-MA-AK	10	1 day(s)
R167520431	Wide Rail 25/70mm, with Plastic Hole Plugs, N Accuracy	10	1 day(s)
R167530431	Wide Rail 35/90mm, with Plastic Hole Plugs. N Accuracy	10	1 day(s)

GoTo Focused Delivery Program: Ball Rails

Ball Rails - Short Runner Blocks



Rexroth Ball Rail Systems in the GoTo program are available in sizes 15-35, N accuracy, with short length flanged and slimline runner blocks in clearance and 2% preload versions. Rails are cut to length, in 1 mm increments. To assure your Ball Rail System can be shipped on the following day, please limit the overall length to 3900 mm and quantities to 10 rails and 20 runner blocks.

For complete engineering and design information: **GoTo www.boschrexroth-us.com/GoToBallrails**

Features

- Excellent dynamic characteristics: Vmax 5 m/s: Amax up to 500 m/s² to meet most application demands
- Long term lubrication, up to several years for less maintenance
- Unlimited interchangeability due to standardized guide rail for all runner block versions for reduced inventory
- Comprehensive range of accessories for easy customization
- Integral, all-round sealing for superior contamination protection
- Multiple lubrication ports for auto lubrication design flexibility
- Pre-lubricated for faster installation

Technical Data

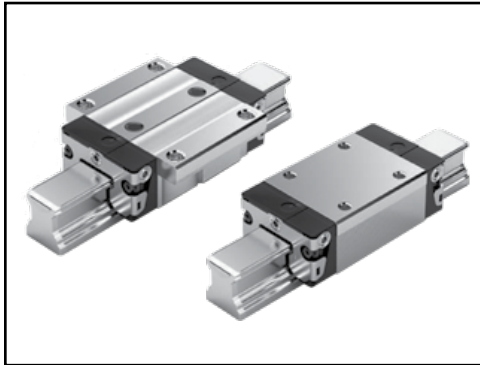
Size	Accuracy Class	Preload ¹	Load capacities (N)		Moments (Nm)			
			C dyn.	C ₀ stat.	M _t dyn.	M _{t0} stat.	M _L dyn.	M _{L0} stat.
15	N	Clearance or C1	6,720	7,340	65	71	29	32
20			15,400	16,500	200	210	83	89
25			19,800	21,200	280	300	130	140
30			25,600	28,900	440	500	200	230
35			36,600	49,300	790	1,060	340	460

1) All preload options are not available for every size and style. Please refer to the part number section for complete details.

Part Number	Description	Max. Quantity	Shipment (Business Days)
R166511420	Short Flanged Runner Block 15, 2% Preload, N Accuracy	8	1 day(s)
R166519420	Short Flanged Runner block 15, clearance	20	1 day(s)
R166581420	Short Flanged Runner Block 20, 2% Preload, N Accuracy	8	1 day(s)
R166521420	Short Flanged Runner block 25, 2% Preload, N Accuracy	20	1 day(s)
R166529420	Short Flanged Runner block 25, clearance	20	1 day(s)
R166531420	Short Flanged Runner block 35, 2% Preload, N Accuracy	8	1 day(s)
R166611420	Short Slimline Runner block 15, 2% Preload, N Accuracy	20	1 day(s)
R166619420	Short Slimline Runner block 15, clearance	20	1 day(s)
R166681420	Short Slimline Runner block 20, 2% Preload, N Accuracy	20	1 day(s)
R166689420	Short Slimline Runner block 20, clearance	8	1 day(s)
R166621420	Short Slimline Runner block 25, 2% Preload, N Accuracy	20	1 day(s)
R166629420	Short Slimline Runner block 25, clearance	20	1 day(s)
R166671420	Short Slimline Runner block 30, 2% Preload, N Accuracy	20	1 day(s)

GoTo Focused Delivery Program: Ball Rails

Ball Rails - Standard Runner Blocks



Rexroth Ball Rail Systems in the GoTo program are available in sizes 15-45, N and H accuracy, with standard length flanged and slimline runner blocks in clearance, 2% and 8% preload versions. Rails are cut to length, in 1 mm increments.

For complete engineering and design information: **GoTo** www.boschrexroth-us.com/GoToBallrails

Features

- Excellent dynamic characteristics: v up to 5 m/s; a_{max} up to 500 m/s²
- Minimum quantity lubrication system with integrated reservoir for oil lubrication
- Limitless interchangeability due to standardized guide rails with or without cover strip, for all runner block versions
- Comprehensive range of accessories
- Integral, all-round sealing

Technical Data

Size	Accuracy Class ²	Preload ¹	Load capacities (N)		Moments (Nm)			
			C dyn.	C ₀ stat.	M _t dyn.	M _{t0} stat.	M _L dyn.	M _{L0} stat.
15	N, H, or P	Clearance, C1 or C2	9,860	12,700	95	120	68	87
20			23,400	29,800	300	380	200	260
25			28,600	35,900	410	510	290	360
30			36,500	48,100	630	830	440	580
35			51,800	80,900	1,110	1,740	720	1,130
45			86,400	132,000	2,330	3,560	1,540	2,350

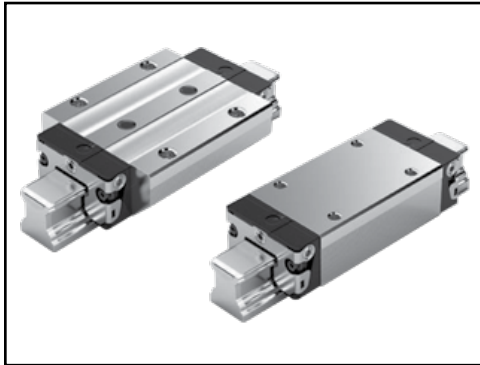
1) All preload options are not available for every size and style. Please refer to the part number section for complete details.

2) All accuracy class options are not available for every size and style. Please refer to the part number section for complete details.

Part Number	Description	Max. Quantity	Shipment (Business Days)
R165119320	B.RUNNER BLOCK CS KWD-015-FNS-C0-H-1	8	1 day(s)
R165129320	B.RUNNER BLOCK CS KWD-025-FNS-C0-H-1	20	1 day(s)
R165121220	B.RUNNER BLOCK CS KWD-025-FNS-C1-P-1	8	1 day(s)
R165122420	B.RUNNER BLOCK CS KWD-025-FNS-C2-N-1	20	1 day(s)
R162222420	B.RUNNER BLOCK CS KWD-025-SNS-C2-N-1	20	1 day(s)
R165172220	B.RUNNER BLOCK CS KWD-030-FNS-C2-P-1	8	1 day(s)
R162272220	B.RUNNER BLOCK CS KWD-030-SNS-C2-P-1	8	1 day(s)
R165132220	B.RUNNER BLOCK CS KWD-035-FNS-C2-P-1	8	1 day(s)
R162232220	B.RUNNER BLOCK CS KWD-035-SNS-C2-P-1	20	1 day(s)
R165111320	Standard Flanged Runner Block 15, 2% Preload, H Accuracy	20	1 day(s)
R165111420	Standard Flanged Runner block 15, 2% Preload, N Accuracy	50	1 day(s)
R165112320	Standard Flanged Runner Block 15, 8% Preload, H Accuracy	20	1 day(s)
R165119420	Standard Flanged Runner block 15, clearance, N Accuracy	50	1 day(s)
R165181320	Standard Flanged Runner Block 20, 2% Preload, H Accuracy	20	1 day(s)
R165181420	Standard Flanged Runner block 20, 2% Preload, N Accuracy	50	1 day(s)
R165182320	Standard Flanged Runner Block 20, 8% Preload, H Accuracy	8	1 day(s)
R165189420	Standard Flanged Runner block 20, clearance, N Accuracy	50	1 day(s)
R165121320	Standard Flanged Runner Block 25, 2% Preload, H Accuracy	20	1 day(s)
R165121420	Standard Flanged Runner block 25, 2% Preload, N Accuracy	50	1 day(s)
R165122320	Standard Flanged Runner Block 25, 8% Preload, H Accuracy	20	1 day(s)
R165129420	Standard Flanged Runner block 25, clearance, N Accuracy	50	1 day(s)
R165171320	Standard Flanged Runner Block 30, 2% Preload, H Accuracy	8	1 day(s)
R165171420	Standard Flanged Runner block 30, 2% Preload, N Accuracy	50	1 day(s)
R165172320	Standard Flanged Runner Block 30, 8% Preload, H Accuracy	20	1 day(s)
R165179420	Standard Flanged Runner block 30, clearance, N Accuracy	50	1 day(s)
R165131320	Standard Flanged Runner Block 35, 2% Preload, H Accuracy	20	1 day(s)
R165131420	Standard Flanged Runner block 35, 2% Preload, N Accuracy	50	1 day(s)
R165132320	Standard Flanged Runner Block 35, 8% Preload, H Accuracy	20	1 day(s)
R165139420	Standard Flanged Runner block 35, clearance, N Accuracy	50	1 day(s)
R165141320	Standard Flanged Runner Block 45, 2% Preload, H Accuracy	20	1 day(s)
R165141420	Standard Flanged Runner block 45, 2% Preload, N Accuracy	50	1 day(s)
R165142320	Standard Flanged Runner Block 45, 8% Preload, H Accuracy	8	1 day(s)
R165149420	Standard Flanged Runner block 45, clearance, N Accuracy	50	1 day(s)
R162211320	Standard Slimline Runner Block 15, 2% Preload, H Accuracy	20	1 day(s)
R162211420	Standard Slimline Runner block 15, 2% Preload, N Accuracy	50	1 day(s)
R162212320	Standard Slimline Runner Block 15, 8% Preload, H Accuracy	8	1 day(s)
R162219420	Standard Slimline Runner block 15, clearance, N Accuracy	50	1 day(s)
R162281320	Standard Slimline Runner Block 20, 2% Preload, H Accuracy	20	1 day(s)
R162281420	Standard Slimline Runner block 20, 2% Preload, N Accuracy	50	1 day(s)
R162282320	Standard Slimline Runner Block 20, 8% Preload, H Accuracy	8	1 day(s)
R162289420	Standard Slimline Runner block 20, clearance, N Accuracy	50	1 day(s)
R162221320	Standard Slimline Runner Block 25, 2% Preload, H Accuracy	20	1 day(s)
R162221420	Standard Slimline Runner block 25, 2% Preload, N Accuracy	50	1 day(s)
R162222320	Standard Slimline Runner Block 25, 8% Preload, H Accuracy	20	1 day(s)
R162229420	Standard Slimline Runner block 25, clearance, N Accuracy	50	1 day(s)
R162271320	Standard Slimline Runner Block 30, 2% Preload, H Accuracy	8	1 day(s)
R162271420	Standard Slimline Runner block 30, 2% Preload, N Accuracy	50	1 day(s)
R162279420	Standard Slimline Runner block 30, clearance, N Accuracy	50	1 day(s)
R162231320	Standard Slimline Runner Block 35, 2% Preload, H Accuracy	20	1 day(s)
R162231420	Standard Slimline Runner block 35, 2% Preload, N Accuracy	50	1 day(s)
R162232320	Standard Slimline Runner Block 35, 8% Preload, H Accuracy	8	1 day(s)
R162239420	Standard Slimline Runner block 35, clearance, N Accuracy	50	1 day(s)
R162241420	Standard Slimline Runner block 45, 2% Preload, N Accuracy	8	1 day(s)
R162249420	Standard Slimline Runner block 45, clearance, N Accuracy	40	1 day(s)

GoTo Focused Delivery Program: Ball Rails

Ball Rails - Long Runner Blocks



Rexroth Ball Rail Systems in the GoTo program are available in sizes 15-45, N accuracy, with long length flanged and slimline runner blocks in clearance and 2% preload versions. Rails are cut to length, in 1 mm increments. To assure your Ball Rail System can be shipped on the following day, please limit the overall length to 3900 mm and quantities to 10 rails and 20 runner blocks.

For complete engineering and design information: **GoTo www.boschrexroth-us.com/GoToBallrails**

Features

- Excellent dynamic characteristics: Vmax 5 m/s: Amax up to 500 m/s² to meet most application demands
- Long term lubrication, up to several years for less maintenance
- Unlimited interchangeability due to standardized guide rail for all runner block versions for reduced inventory
- Comprehensive range of accessories for easy customization
- Integral, all-round sealing for superior contamination protection
- Multiple lubrication ports for auto lubrication design flexibility
- Pre-lubricated for faster installation

Technical Data

Size	Accuracy Class ²	Preload ¹	Load capacities (N)		Moments (Nm)			
			C dyn.	C ₀ stat.	M _t dyn.	M _{t0} stat.	M _L dyn.	M _{L0} stat.
15	N or H	Clearance, C1 or C2	12,800	18,400	120	180	120	180
20			29,600	41,800	380	540	340	490
25			37,300	52,500	530	750	530	740
30			46,000	66,900	800	1,160	740	1,080
35			66,700	116,000	1,440	2,500	1,290	2,240
45			111,000	190,000	3,010	5,120	2,730	4,660

1) All preload options are not available for every size and style. Please refer to the part number section for complete details.

2) All accuracy class options are not available for every size and style. Please refer to the part number section for complete details.

Part Number	Description	Max. Quantity	Shipment (Business Days)
R165321320	B.RUNNER BLOCK CS KWD-025-FLS-C1-H-1	20	1 day(s)
R165322420	B.RUNNER BLOCK CS KWD-025-FLS-C2-N-1	20	1 day(s)
R162322420	B.RUNNER BLOCK CS KWD-025-SLS-C2-N-1	20	1 day(s)
R162371320	B.RUNNER BLOCK CS KWD-030-SLS-C1-H-1	20	1 day(s)
R162371220	B.RUNNER BLOCK CS KWD-030-SLS-C1-P-1	8	1 day(s)
R165332320	B.RUNNER BLOCK CS KWD-035-FLS-C2-H-1	20	1 day(s)
R162311420	Long Flanged Runner block 15, 2% Preload, N Accuracy	20	1 day(s)
R165311420	Long Flanged Runner block 15, 2% Preload, N Accuracy	20	1 day(s)
R165319420	Long Flanged Runner Block 15, Clearance, N Accuracy	20	1 day(s)
R165381420	Long Flanged Runner Block 20, 2% Preload, N Accuracy	20	1 day(s)
R165389420	Long Flanged Runner Block 20, Clearance, N Accuracy	8	1 day(s)
R165321420	Long Flanged Runner block 25, 2% Preload, N Accuracy	20	1 day(s)
R165329420	Long Flanged Runner block 25, N Accuracy	20	1 day(s)
R165371420	Long Flanged Runner block 30, 2% Preload, N Accuracy	20	1 day(s)
R165379420	Long Flanged Runner block 30, clearance, N Accuracy	20	1 day(s)
R165331420	Long Flanged Runner block 35, 2% Preload, N Accuracy	20	1 day(s)
R165339420	Long Flanged Runner block 35, clearance, N Accuracy	20	1 day(s)
R165341420	Long Flanged Runner block 45 preload	20	1 day(s)
R165349420	Long Flanged Runner block 45, clearance, N Accuracy	20	1 day(s)
R162319420	Long Slimline Runner block 15, clearance, N Accuracy	20	1 day(s)
R162381420	Long Slimline Runner block 20, 2% Preload, N Accuracy	20	1 day(s)
R162389420	Long Slimline Runner block 20, clearance, N Accuracy	20	1 day(s)
R162329420	Long Slimline Runner block 25, clearance, N Accuracy	20	1 day(s)
R162321420	Long Slimline Runner block 25, preload	20	1 day(s)
R162371420	Long Slimline Runner block 30, 2% Preload, N Accuracy	20	1 day(s)
R162379420	Long Slimline Runner block 30, clearance, N Accuracy	20	1 day(s)
R162331420	Long Slimline Runner block 35, 2% Preload, N Accuracy	20	1 day(s)
R162339420	Long Slimline Runner block 35, clearance, N Accuracy	20	1 day(s)
R162341420	Long Slimline Runner block 45, 2% Preload, N Accuracy	8	1 day(s)
R162349420	Long Slimline Runner block 45, clearance, N Accuracy	8	1 day(s)

GoTo Focused Delivery Program: Ball Rails

Ball Rails - Wide Runner Blocks



Rexroth Ball Rail Systems in the GoTo program are available in sizes 25/70 and 35/90, N accuracy, with wide flanged runner blocks in clearance and 2% preload versions. Rails are cut to length, in 1 mm increments. To assure your Ball Rail System can be shipped on the following day, please limit the overall length to 3900 mm and quantities to 10 rails and 20 runner blocks.

For complete engineering and design information: **GoTo www.boschrexroth-us.com/GoToBallrails**

Features

- Extremely high torsional moment load capacity and rigidity, well suited for single rail applications
- Excellent dynamic characteristics: Vmax 5 m/s; Amax up to 500 m/s² to meet most application demands (25/70 only)
- Long term lubrication, up to several years for less maintenance
- Unlimited interchangeability due to standardized guide rail for all runner block versions for reduced inventory
- Comprehensive range of accessories for easy customization
- Integral, all-round sealing for superior contamination protection
- Multiple lubrication ports for auto lubrication design flexibility
- Pre-lubricated for faster installation (25/70 only)

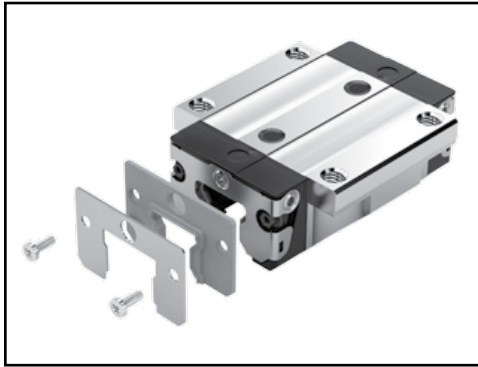
Technical Data

Size	Accuracy Class	Preload	Load capacities (N)		Moments (Nm)			
			C dyn.	C ₀ stat.	M _t dyn.	M _{t0} stat.	M _L dyn.	M _{L0} stat.
20/40	N	Clearance or C1	14,900	20,600	340	470	140	190
25/70			36,200	50,200	1,350	1,870	490	680
35/90			70,700	126,000	3,500	6,240	1,470	2,620

Part Number	Description	Max. Quantity	Shipment (Business Days)
R167151420	Wide Runner block 20/40, C1 Preload, N Accuracy	20	1 day(s)
R167121420	Wide Runner block 25/70, 2% Preload, N Accuracy	20	1 day(s)
R167129420	Wide Runner block 25/70, clearance, N Accuracy	20	1 day(s)
R167131410	Wide Runner block 35/90, 2% Preload, N Accuracy	20	1 day(s)
R167139410	Wide Runner block 35/90, clearance, N Accuracy	20	1 day(s)

GoTo Focused Delivery Program: Ball Rails

Ball Rails - Accessories - Front Seals



Made from corrosion-resistant steel with a polymer seal, Rexroth Front Seals protect Ball Rail Runner Blocks against harmful contamination. Front Seals in the GoTo program are available for sizes 15-45.

General Notes - Lubrication

For end face lubrication with the two-piece end seal, please consider the minimum screw-in depth of the standard lubrication fitting. Lubrication from the side will not require additional consideration.

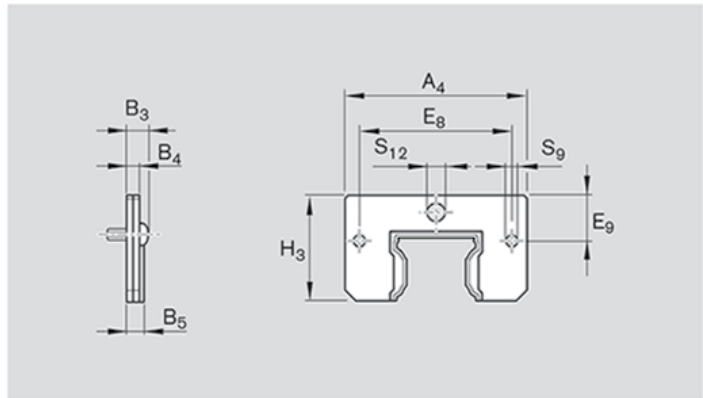
For complete engineering and design information: **GoTo** www.boschrexroth-us.com/GoToBallrails

Features

- Unsurpassed contamination protection when combined with standard Rexroth sealing
- Easily installed or replaced in the field
- All mounting hardware included
- Add to one or both sides as needed

Technical Data

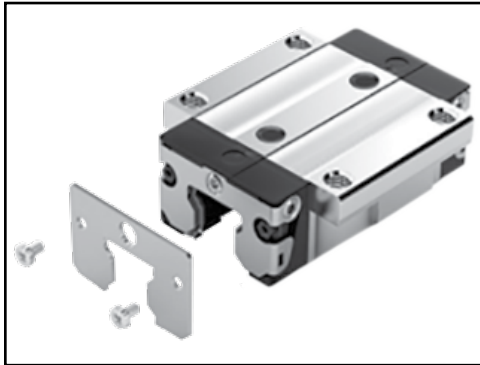
Size	Front Seal Dimensions (mm)								
	A ₄	B ₃	B ₄	B ₅	E ₈	E ₉	H ₃	S ₉	S ₁₂
15	32.0	4.3	2.2	3.0	24.55	6.30	19.0	3.5	4.3
20	42.0	4.9	2.5	3.3	32.40	6.80	24.3	4.0	5.1
25	47.0	4.9	2.5	3.3	38.30	11.00	29.0	4.0	7.0
30	59.0	5.7	3.3	4.5	48.40	14.10	34.5	4.0	7.0
35	69.0	5.7	3.3	4.5	58.00	17.00	39.5	4.0	7.0
45	85.0	7.1	4.0	5.5	69.80	20.50	49.5	5.0	7.0
20/40	99.0	4.9	2.5	3.3	35.00	4.30	28.6	4.0	7.3



Part Number	Description	Max. Quantity	Shipment (Business Days)
R161912120	Front Seal 15	40	1 day(s)
R161982120	Front Seal 20	40	1 day(s)
R161922130	Front Seal 25	40	1 day(s)
R161922220	Front Seal 25/70	40	1 day(s)
R161972130	Front Seal 30	40	1 day(s)
R161932130	Front Seal 35	40	1 day(s)
R161942130	Front Seal 45	40	1 day(s)

GoTo Focused Delivery Program: Ball Rails

Ball Rails - Accessories - Scraper Plates



Made from corrosion-resistant steel, Rexroth Scraper Plates protect Ball Rail Runner Blocks against harmful contamination. Scraper plates in the GoTo program are available for sizes 25-45.

General Notes - Lubrication

For end face lubrication with the scraper plate, please consider the minimum screw-in depth of the standard lubrication fitting. Lubrication from the side will not require additional consideration.

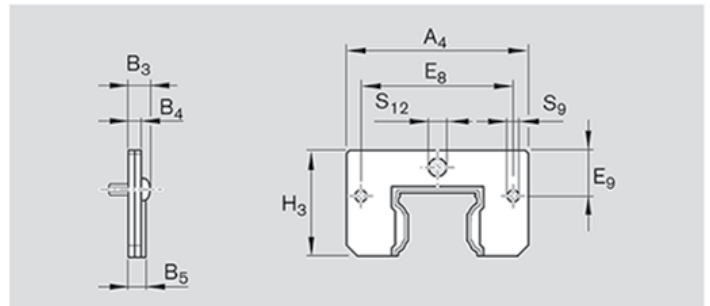
For complete engineering and design information: **GoTo www.boschrexroth-us.com/GoToBallrails**

Features

- Unsurpassed contamination protection when combined with standard Rexroth sealing
- High Precision - Maximum gap from 0.1 to 0.3 mm
- All mounting hardware and instructions are included
- Add to one or both sides as needed

Technical Data

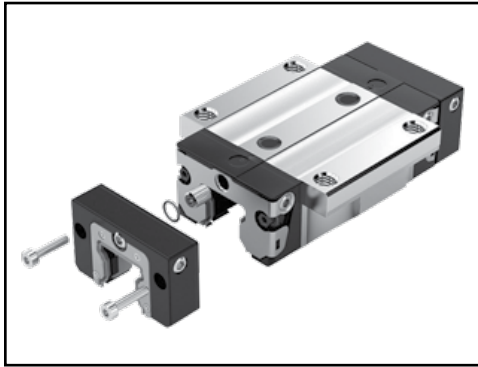
Size	Scraper Plate Dimensions (mm)							
	A ₄	B ₃	B ₄	E ₈	E ₉	H ₃	S ₉	S ₁₂
25	47.0	3.4	1.0	38.3	11.0	29.5	4.0	7.0
30	59.0	3.4	1.0	48.4	14.1	34.7	4.0	7.0
35	69.0	3.4	1.0	58.0	17.0	40.1	4.0	7.0
45	85.0	5.1	2.0	69.8	20.5	50.0	5.0	7.0



Part Number	Description		Max. Quantity	Shipment (Business Days)
R162021030	SCRAPER PLATE 25		80	1 day(s)
R162071030	SCRAPER PLATE 30		20	1 day(s)
R162031030	SCRAPER PLATE 35		20	1 day(s)
R162031040	SCRAPER PLATE 35 (0,3)		80	1 day(s)
R162041030	SCRAPER PLATE 45		20	1 day(s)
R162041040	SCRAPER PLATE 45 (0,3)		20	1 day(s)

GoTo Focused Delivery Program: Ball Rails

Ball Rails - Accessories - Front Lube Unit



Rexroth Front Lube Units are specially designed to distribute the right amount of lubricant only where needed: directly to the raceways and to the guide rail top surface. Front Lube Units in the GoTo program are available for sizes 15-35.

General Notes - Lubrication

The lubrication port on the face of the front lube unit is used as a pass-through for grease when re-lubricating the runner block. Use the side lube port of the front lube unit when refilling the front lube unit with oil.

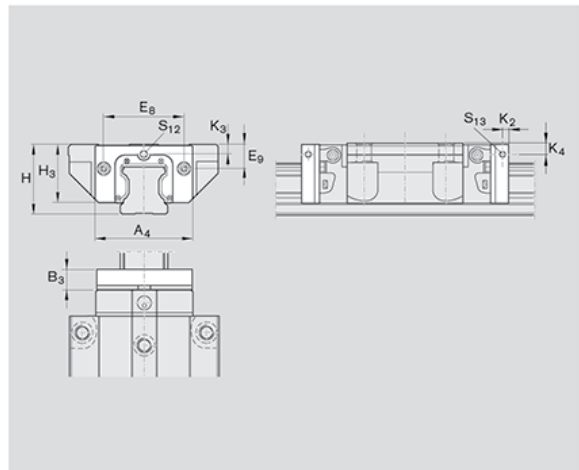
For complete engineering and design information: **GoTo** www.boschrexroth-us.com/GoToBallrails

Features

- Up to 10,000 km travel without re-lubrication
- Prefilled with Mobil SHC 639 oil
- No lube lines required
- Can be refilled in the field
- All mounting hardware and instructions are included
- Add to one or both sides as needed

Technical Data

Size	Front Lube Unit Dimensions (mm)									
	A ₄	B ₃	E ₈	E ₉	H	H ₃	K ₂	K ₃ /K ₄	S ₁₂	S ₁₃
15	31.8	11.5	24.55	6.7 10.7 ¹	24 28 ¹	19.4 23.4 ¹	5	3.35 7.35 ¹	M3	M3
20	43.0	12.5	32.5	7.3	30	24.9	5	3.7	M3	M3
25	47.0	13.0	38.3	11.5 15.5 ¹	36 40 ¹	29.3 33.3 ¹	5	5.5 9.5 ¹	M6	M6
30	58.5	14.5	48.4	14.6 17.6 ¹	42 45 ¹	35.05 38.05 ¹	6	6.05 9.05 ¹	M6	M6
35	69.0	16.0	58.0	17.35 24.35 ¹	48 55 ¹	39.85 46.85 ¹	6	6.9 13.9 ¹	M6	M6
45	84.0	17.0	69.8	20.9 30.9 ¹	60 70 ¹	49.8 59.8 ¹	7	8.2 18.2 ¹	M6	M6

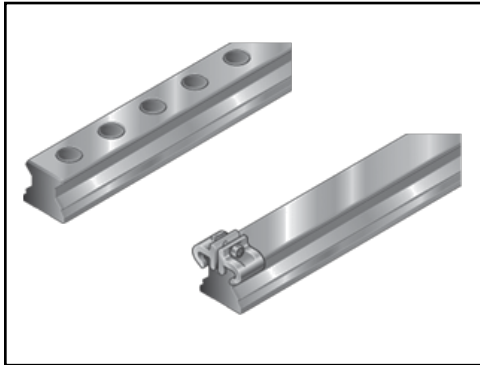


1) For slimline high runner blocks only.

Part Number	Description	Max. Quantity	Shipment (Business Days)
R161912500	LUBRICATING UNIT 15	20	1 day(s)
R161982500	LUBRICATING UNIT 20	20	1 day(s)
R161922500	LUBRICATING UNIT 25	20	1 day(s)
R161972500	LUBRICATING UNIT 30	20	1 day(s)
R161932500	LUBRICATING UNIT 35	20	1 day(s)
R161942500	LUBRICATING UNIT 45	20	1 day(s)

GoTo Focused Delivery Program: Roller Rails

Roller Rails - Rail System



Rexroth Roller Rail Systems in the GoTo program are available in sizes 35-55 with P accuracy. Rails are cut to length, in 1 mm increments. To assure your Roller Rail System can be shipped on the following day, please limit the overall length to 3900 mm.

For complete engineering and design information: **GoTo** www.boschrexroth-us.com/GoToRollerrails

Features

- Up to 3 times higher load capacity as compared to Ball Type Systems
- O Arrangement for high torsional load capacity and maximum stiffness
- Available in two Top Mount configurations with Plastic Hole Plugs or with the Rail Seal for Optimum contamination protection
- Offered in 1 mm increments up to 3900mm

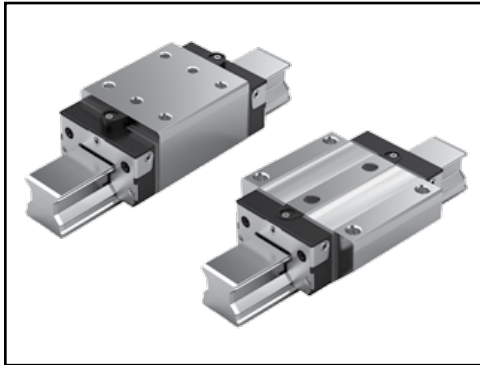
Technical Data

Size	Accuracy Class					GoTo L Max (mm)
		A2 (mm)	H2 Hole Plug Version (mm)	H2 Rail Seal Version (mm)	T2 Hole Spacing (mm)	
25	H, P, and SP	23	23.4	23.6	30	3900
35		34	30.80	31.10	40	
45		45	38.80	39.10	52.5	
55		53	47.55	47.85	60	
65		63	57.85	58.15	75	

Part Number	Description	Max. Quantity	Shipment (Business Days)
R180523331	R.GUIDE RAIL CS RSA-025-SNS-H-MA-BS	4	1 day(s)
R180525231	R.GUIDE RAIL CS RSA-025-SNS-P-MA-AK	4	1 day(s)
R180523231	R.GUIDE RAIL CS RSA-025-SNS-P-MA-BS	4	1 day(s)
R180525131	R.GUIDE RAIL CS RSA-025-SNS-S-MA-AK	4	1 day(s)
R180523131	R.GUIDE RAIL CS RSA-025-SNS-S-MA-BS	4	1 day(s)
R180525331	R.GUIDE RAIL CS RSA-025-SNS-H-MA-AK	4	1 day(s)
R180535331	R.GUIDE RAIL CS RSA-035-SNS-H-MA-AK	10	1 day(s)
R180533361	R.GUIDE RAIL CS RSA-035-SNS-H-MA-BS	10	1 day(s)
R180535131	R.GUIDE RAIL CS RSA-035-SNS-S-MA-AK	10	1 day(s)
R180533161	R.GUIDE RAIL CS RSA-035-SNS-S-MA-BS	10	1 day(s)
R180545331	R.GUIDE RAIL CS RSA-045-SNS-H-MA-AK	10	1 day(s)
R180543361	R.GUIDE RAIL CS RSA-045-SNS-H-MA-BS	10	1 day(s)
R180545131	R.GUIDE RAIL CS RSA-045-SNS-S-MA-AK	10	1 day(s)
R180543161	R.GUIDE RAIL CS RSA-045-SNS-S-MA-BS	10	1 day(s)
R180555331	R.GUIDE RAIL CS RSA-055-SNS-H-MA-AK	10	1 day(s)
R180553361	R.GUIDE RAIL CS RSA-055-SNS-H-MA-BS	10	1 day(s)
R180555131	R.GUIDE RAIL CS RSA-055-SNS-S-MA-AK	10	1 day(s)
R180553161	R.GUIDE RAIL CS RSA-055-SNS-S-MA-BS	10	1 day(s)
R180565331	R.GUIDE RAIL CS RSA-065-SNS-H-MA-AK	6	1 day(s)
R180563361	R.GUIDE RAIL CS RSA-065-SNS-H-MA-BS	6	1 day(s)
R180565131	R.GUIDE RAIL CS RSA-065-SNS-S-MA-AK	6	1 day(s)
R180563161	R.GUIDE RAIL CS RSA-065-SNS-S-MA-BS	6	1 day(s)
R180535231	Roller Rail 35mm, with Plastic Hole Plugs, P Accuracy	10	1 day(s)
R180533261	Roller Rail 35mm, with Rail Seal and Clip Retainers, P Accuracy	10	1 day(s)
R180545231	Roller Rail 45mm, with Plastic Hole Plugs, P Accuracy	10	1 day(s)
R180543261	Roller Rail 45mm, with Rail Seal and Clip Retainers, P Accuracy	10	1 day(s)
R180555231	Roller Rail 55mm, with Plastic Hole Plugs, P Accuracy	10	1 day(s)
R180553261	Roller Rail 55mm, with Rail Seal and Clip Retainers, P Accuracy	10	1 day(s)
R180565231	Roller Rail 65mm, with Plastic Hole Plugs, P Accuracy	6	1 day(s)
R180563261	Roller Rail 65mm, with Rail Seal and Clip Retainers, P Accuracy	6	1 day(s)

GoTo Focused Delivery Program: Roller Rails

Roller Rails - Standard Runner Blocks



Rexroth Roller Rail Systems in the GoTo program are available in sizes 35-65, P accuracy, with standard length flanged and high slimline blocks in 8% preload. Rails are cut to length, in 1 mm increments.

For complete engineering and design information: **GoTo** www.boschrexroth-us.com/GoToRollerrails

Features

- Excellent dynamic characteristics: Vmax 3 m/s: Amax up to 150 m/s² to meet most application demands
- High load capacities in all load directions for robust applications
- Unlimited interchangeability due to standardized guide rail for all runner block versions for reduced inventory
- Comprehensive range of accessories for easy customization
- Integral, all-round sealing for superior contamination protection
- Multiple lubrication ports for auto lubrication design flexibility
- High rigidity for applications requiring minimal deflection

Technical Data

Size	Accuracy Class	Preload	Load capacities (N)		Moments (Nm)			
			C dyn.	C ₀ stat.	M _t dyn.	M _{t0} stat.	M _L dyn.	M _{L0} stat.
25 ¹⁾	P	C2	26,900	53,200	348	690	260	520
35			61,000	119,400	1,210	2,370	760	1,480
45			106,600	209,400	2,640	5,180	1,650	3,240
55 ¹⁾			140,400	284,700	4,120	8,350	2,610	5,290
65 ¹⁾			237,200	456,300	8,430	16,210	5,260	10,120

1) High slimline blocks are not part of the GoTo program in these sizes.

Part Number	Description	Max. Quantity	Shipment (Business Days)
R185122210	R.RUNNER BLOCK CS RWA-025-FNS-C2-P-2	8	1 day(s)
R18513222X	R.RUNNER BLOCK CS RWD-035-FNS-C2-P-2	20	1 day(s)
R18213222X	R.RUNNER BLOCK CS RWD-035-SNH-C2-P-2	8	1 day(s)
R18514222X	R.RUNNER BLOCK CS RWD-045-FNS-C2-P-2	20	1 day(s)
R18214222X	R.RUNNER BLOCK CS RWD-045-SNH-C2-P-2	8	1 day(s)
R18515222X	R.RUNNER BLOCK CS RWD-055-FNS-C2-P-2	20	1 day(s)
R18516222X	R.RUNNER BLOCK CS RWD-065-FNS-C2-P-2	4	1 day(s)

GoTo Focused Delivery Program: Roller Rails

Roller Rails - Long Runner Blocks



Rexroth Roller Rail Systems in the GoTo program are available in sizes 35-65, P accuracy, with long length flanged and high slimline blocks in 8% preload. Rails are cut to length, in 1 mm increments.

For complete engineering and design information: **GoTo** www.boschrexroth-us.com/GoToRollerrails

Features

- Excellent dynamic characteristics: Vmax 3 m/s; Amax up to 150 m/s² to meet most application demands
- High load capacities in all load directions for robust applications
- Unlimited interchangeability due to standardized guide rail for all runner block versions for reduced inventory
- Comprehensive range of accessories for easy customization
- Integral, all-round sealing for superior contamination protection
- Multiple lubrication ports for auto lubrication design flexibility
- High rigidity for applications requiring minimal deflection

Technical Data

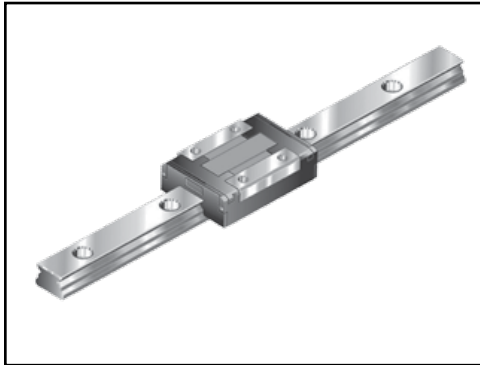
Size	Accuracy Class	Preload	Load capacities (N)		Moments (Nm)			
			C dyn.	C ₀ stat.	M _t dyn.	M _{t0} stat.	M _L dyn.	M _{L0} stat.
25 ¹⁾	P	C2	33,300	70,000	432	908	420	900
35			74,900	155,400	1,490	3,080	1,220	2,530
45			132,200	276,400	3,270	6,830	2,690	5,630
55			174,000	374,900	5,100	10,990	4,420	9,520
65 ¹⁾			295,900	606,300	10,510	21,540	8,870	18,180

1) High slimline block is not part of the GoTo program in this size.

Part Number	Description	Max. Quantity	Shipment (Business Days)
R185362210	Long Flanged Runner Block 65	12	1 day(s)
R185322210	R.RUNNER BLOCK CS RWA-025-FLS-C2-P-2	8	1 day(s)
R18533222X	R.RUNNER BLOCK CS RWD-035-FLS-C2-P-2	8	1 day(s)
R18243222X	R.RUNNER BLOCK CS RWD-035-SLH-C2-P-2	8	1 day(s)
R18534222X	R.RUNNER BLOCK CS RWD-045-FLS-C2-P-2	20	1 day(s)
R18244222X	R.RUNNER BLOCK CS RWD-045-SLH-C2-P-2	8	1 day(s)
R18535222X	R.RUNNER BLOCK CS RWD-055-FLS-C2-P-2	20	1 day(s)
R18245222X	R.RUNNER BLOCK CS RWD-055-SLH-C2-P-2	8	1 day(s)

GoTo Focused Delivery Program: Mini Ball Rails

Mini Ball Rails



Miniature Ball Rail Systems were developed specifically for high-precision applications, such as optical or electronic data processing systems, which require rolling element linear guideways with extremely compact dimensions and high load capacity.

For complete engineering and design information: **GoTo** www.boschrexroth-us.com/GoToMinis

Features

- High load capacity in all directions of load application, including moments about all axes, due to construction with the largest possible ball size
- Lubrication access from either front or side faces, dependent upon size
- Optional stainless steel cover strip
- All steel parts of the runner block and guide rail are made of rust and acid resistant material similar to ISO 683-17 / EN 10088
- Accuracy class available in the GoTo Program: H

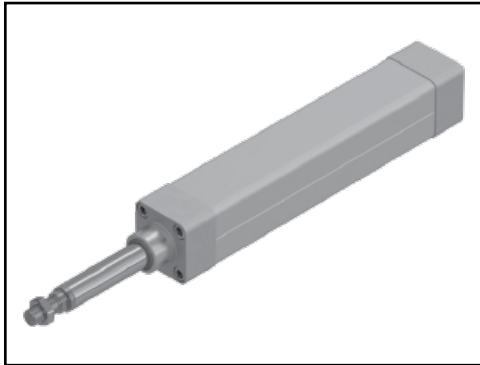
Technical Data

Size	Preload	Accuracy Class	Load capacities (N)		Moments (Nm)			
			C dyn.	C ₀ stat.	M _t dyn.	M _{t0} stat.	M _L dyn.	M _{L0} stat.
7	CLR/Preload	N or H	860	1,400	3.1	5.1	1.9	3.2
9			1,180	2,100	5.4	9.6	3.6	6.4
12			2,310	3,470	13.7	20.6	7.9	11.8
15			4,200	6,260	31.2	46.3	18.3	27.0

Part Number	Description	Max. Quantity	Shipment (Business Days)
R044570431	MINI GUI.RAIL NR11 MSA-007-SNS-N-MA-00	10	1 day(s)
R044580431	MINI GUI.RAIL NR11 MSA-009-SNS-N-MA-00	10	1 day(s)
R044520431	MINI GUI.RAIL NR11 MSA-012-SNS-N-MA-00	10	1 day(s)
R044550431	MINI GUI.RAIL NR11 MSA-015-SNS-N-MA-00	10	1 day(s)
R044520331	Mini rails 12mm, H accuracy	10	1 day(s)
R044550331	Mini rails 15mm, H accuracy	10	1 day(s)
R044570331	Mini rails 7mm, H accuracy	10	1 day(s)
R044580331	Mini rails 9mm, H accuracy	10	1 day(s)
R044229301	Mini runner block 12, clearance	10	1 day(s)
R044221301	Mini runner blocks 12, preload	10	1 day(s)
R044259301	Mini runner blocks 15, clearance	10	1 day(s)
R044251301	Mini runner blocks 15, preload	10	1 day(s)
R044279301	Mini runner blocks 7, clearance	10	1 day(s)
R044271301	Mini runner blocks 7, preload	10	1 day(s)
R044289301	Mini runner blocks 9, clearance	10	1 day(s)
R044281301	Mini runner blocks 9, preload	10	1 day(s)

GoTo Focused Delivery Program: EMC Electromechanical Cylinders

EMC Electromechanical Cylinders - Actuators



Rexroth Electromechanical Cylinders are a powerful alternative to pneumatic cylinders while providing significant benefits in energy efficiency and greater flexibility through higher thrust forces, variable speeds, and intermediate positioning. Rexroth EMC's are available in the GoTo program with many choices of drive configurations and mounting elements making them easy to order and install.

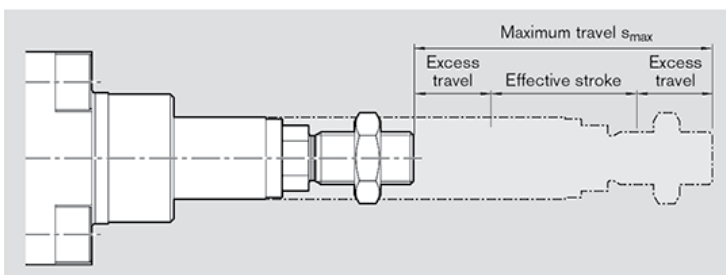
For complete engineering and design information: **GoTo www.boschrexroth-us.com/GoToEMC**

Features

- High mechanical efficiency for minimal energy use
- Integrated ball screw drive for exact positioning and powerful thrust capability
- Motor attachment via motor mount and coupling or via belt side drive
- Extensive series of attachments for complete design flexibility
- Interchangeable mounting dimensions with ISO pneumatic cylinders
- Stainless steel piston rod for use in harsh environments

Technical Data

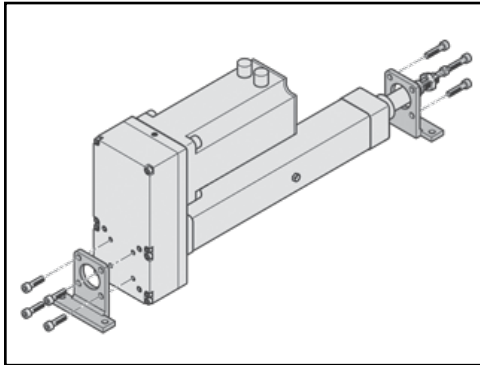
EMC Size	Ball Screw Size $d_0 \times P$ (mm)	Dynamic Load Capacity C (N)	Max. Force F_{max} (N)	Max. Travel $S_{max\ perm}$ (mm)	Min. Travel S_{min} (mm)	Total Axial Backlash (mm)
32	12 x 5	3,800	1,200	750	40	0.010
40	16 x 5	12,300	4,500	750	70	0.010
	16 x 10	9,600	3,000	750	70	0.015
50	20 x 5	14,300	7,800	900	90	0.005
63	25 x 5	15,900	15,900	1,200	100	0.005
	25 x 25	14,700	8,000	1,200	100	0.020
80	32 x 5	21,600	21,600	1,500	100	0.005
	32 x 10	26,000	22,000	1,500	100	0.010
	32 x 32	19,500	10,400	1,500	130	0.020
100	40 x 5	29,100	29,100	1,500	100	0.005
	40 x 10	29,000	29,000	1,500	100	0.005



Part Number	Description		Max. Quantity	Shipment (Business Days)
R156010010	LINEAR ACTUATOR	EMC-032-NN-2	2	10 day(s)
R156020010	LINEAR ACTUATOR	EMC-040-NN-2	2	10 day(s)
R156030010	LINEAR ACTUATOR	EMC-050-NN-2	2	10 day(s)
R156040010	LINEAR ACTUATOR	EMC-063-NN-2	2	10 day(s)
R156050010	LINEAR ACTUATOR	EMC-080-NN-2	2	10 day(s)
R156060010	LINEAR ACTUATOR	EMC-100-NN-2	2	10 day(s)

GoTo Focused Delivery Program: EMC Electromechanical Cylinders

EMC Electromechanical Cylinders - Mounting Elements



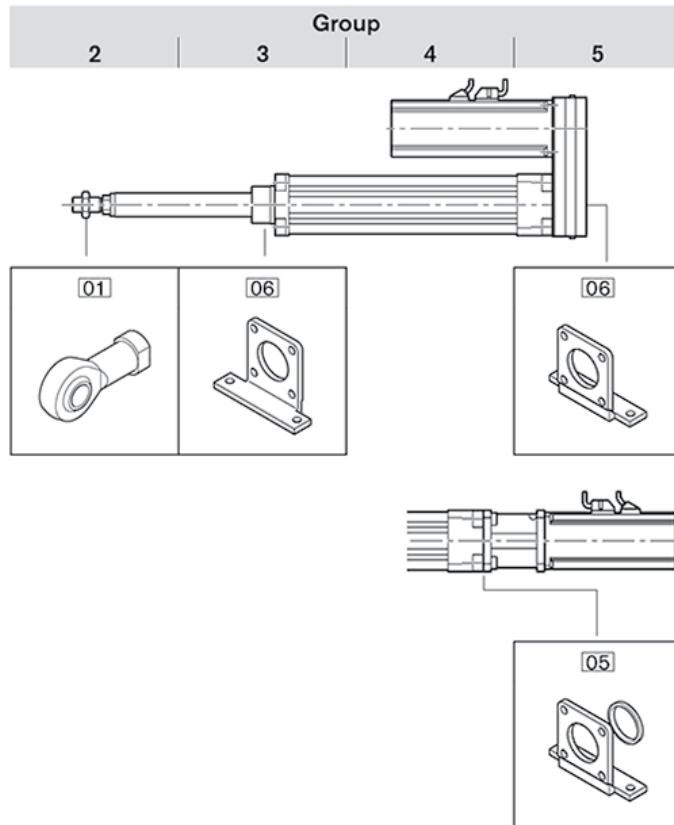
Mounting elements are used for attaching loads to the end of the thrust rod or fastening the ends of the EMC. They are delivered loose and with all necessary hardware.

For complete engineering and design information: **GoTo www.boschrexroth-us.com/GoToEMC**

Features

- See Technical Data for more information.

Technical Data



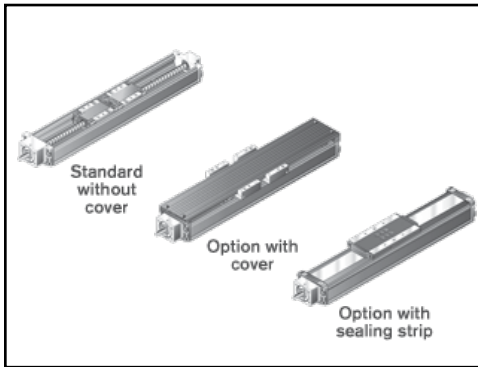
EMC Size	Group	Version	Option	Description
all	2	MF or RV	01	Female spherical rod end bearing
	3		06	Foot mount
	5	RV	06	Foot mount
		MF	05	Foot mount with centering ring

MF = In-line motor mounting
RV = Belt side drive

Part Number	Description			Max. Quantity	Shipment (Business Days)
R15616B104	FOOT ANCHORAGE	EMC100	BG	2	5 day(s)
R15616B105	FOOT ANCHORAGE	EMC100	BG	2	5 day(s)
R15611B104	FOOT ANCHORAGE	EMC32	BG	2	5 day(s)
R15611B105	FOOT ANCHORAGE	EMC32	BG	2	5 day(s)
R15612B104	FOOT ANCHORAGE	EMC40	BG	2	5 day(s)
R15612B105	FOOT ANCHORAGE	EMC40	BG	2	5 day(s)
R15613B104	FOOT ANCHORAGE	EMC50	BG	2	5 day(s)
R15613B105	FOOT ANCHORAGE	EMC50	BG	2	5 day(s)
R15614B104	FOOT ANCHORAGE	EMC63	BG	2	5 day(s)
R15614B105	FOOT ANCHORAGE	EMC63	BG	2	5 day(s)
R15615B104	FOOT ANCHORAGE	EMC80	BG	2	5 day(s)
R15615B105	FOOT ANCHORAGE	EMC80	BG	2	5 day(s)
R349938500	SWIVEL HEAD	EMC32		2	5 day(s)
R349938600	SWIVEL HEAD	EMC40		2	5 day(s)
R349938700	SWIVEL HEAD	EMC50/63		2	5 day(s)
R349938900	SWIVEL HEAD	EMC80/100		2	5 day(s)

GoTo Focused Delivery Program: PSK Precision Modules

PSK Precision Modules - Ball Screw Drive



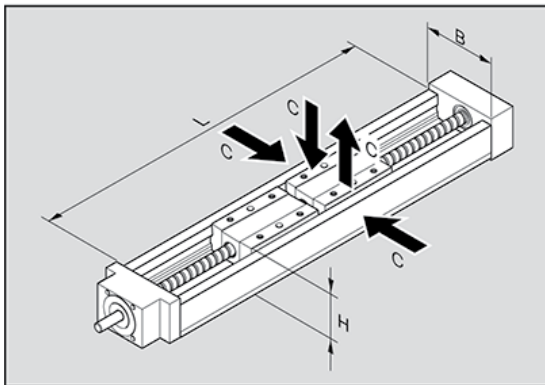
PSK Precision Modules are precise, ready-to-install linear motion systems that combine high stiffness with travel accuracy and compact dimensions. The standard design features several options including: PSK without cover, PSK with cover plate and PSK with unique sealing strip. Rexroth offers favorable price/performance ratios and fast delivery in the GoTo Program.

For complete engineering and design information: **GoTo www.boschrexroth-us.com/GoToPSK**

Features

- Extremely compact and rigid precision steel profile with reference edge and integrated Rexroth guideway
- Precision ball screw drive in tolerance grade 7 with zero-backlash nut system
- Aluminum fixed bearing end block with preloaded ball bearings and ball screw journal
- Floating bearing end block with double ball bearings
- One or two steel carriages, standard length or long for PSK with or without cover plate
- One aluminum carriage, standard length or long, for PSK with sealing strip

Technical Data



Precision Module	PSK-060	PSK-090
B (mm)	60	86
H (mm)	33	46
L (mm)	150 200 250 300 400 500 700	340 440 540 740 940

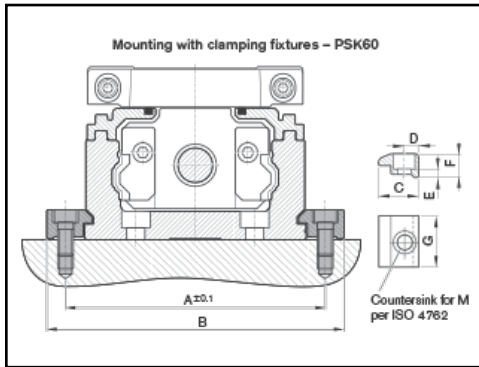
PSK Precision Module	Type of Cover	Carriage (carr.)		Dynamic load capacity C (N)	Guideway Dynamic load moments		Ball Screw		Fixed bearing Dynamic load capacity C (N)
		Number			M_t (Nm)	M_L (Nm)	Size $d_0 \times P$	Dynamic load capacity C (N)	
PSK-060 150 mm to 700 mm	w/o and w/ plate	Long	1 carr.	9,000	210.0	60	12 x 5	3,800	4,000
			2 carr.	14,620	341.0	$7.31 \times l_m$	12 x 5	3,800	4,000
	Strip	Standard	1 carr.	9,000	210.0	60	12 x 10	2,500	4,000
		Long	1 carr.	14,620	341.0	541	12 x 10	2,500	4,000
PSK-090 340 mm to 940 mm	w/o cover	Long	1 carr.	27,500	910.0	270	16 x 5	12,300	13,400
			2 carr.	44,670	1478.0	$22.34 \times l_m$	16 x 10	9,600	13,400
	Strip	Standard	1 carr.	21,300	710.0	150	16 x 16	6,300	13,400
		Long	1 carr.	34,600	1153.0	1557			

* l_m = carriage center to center distance

Part Number	Description	Max. Quantity	Shipment (Business Days)
R146530000	PRECISION MODULE PSK-060-NN-1	3	10 day(s)
R146540000	PRECISION MODULE PSK-090-NN-1	3	10 day(s)

GoTo Focused Delivery Program: PSK Precision Modules

PSK Precision Modules - Accessories



PSK mounting accessories are used to mount PSK-060 and PSK-090 modules to a fixed base.

General Note: the reference edge cannot be used in the region of the clamping fixtures. Suitable for all cover options.

For complete engineering and design information: **GoTo** www.boschrexroth-us.com/GoToCompactModules

Features

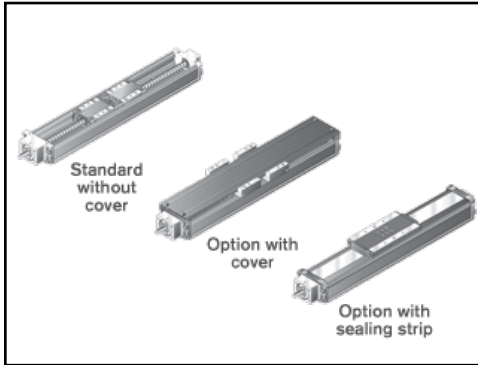
- The recommended number of clamping fixtures for mounting:
 - 3 pieces per 500 mm per side

Precision module	Dimensions (mm)								Part Number
	A	B	C	D	E	F	G	M	
PSK-060	72	85	15.0	6.5	4.8	10.0	22	M5	R141901001
PSK-090	100	115	17.5	7.5	5.8	12.0	25	M6	R141901000

Part Number	Description	Max. Quantity	Shipment (Business Days)
R141901000	CLAMPING PIECE PSK 90	24	3 day(s)
R141901001	Clamping piece - PSK 60 (8 pieces per module)	24	3 day(s)

GoTo Focused Delivery Program: PSK Precision Modules

PSK Precision Modules - Spare Parts



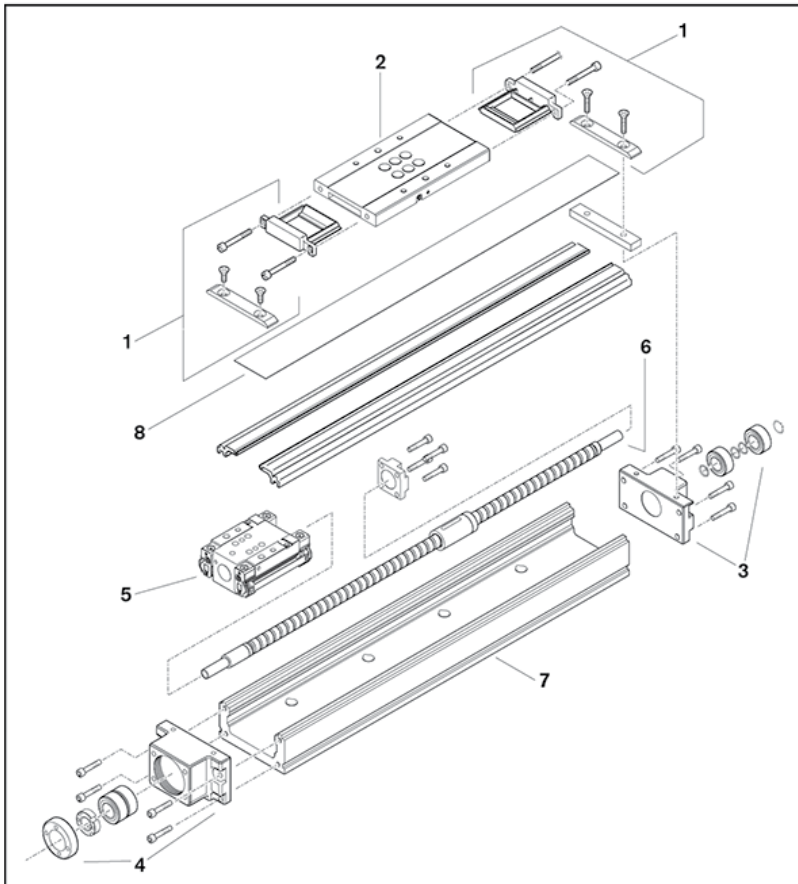
PSK spare parts are offered in the GoTo Program for quick replacement or service of existing units.

For complete engineering and design information: **GoTo** www.boschrexroth-us.com/GoToPSK

Features

- Available PSK spare parts:
 - Cover Strips
 - Cover Strip Hardware Kit
 - Drive & Idler Ends
 - Carriage & Carriage Plates
- See detailed part number and descriptions in technical data

PSK spare parts offering in GoTo:



Part No.	Material Description	Pos.
R141830000	Cover Strip Hardware Kit for PSK-060	1
R141840000	Cover Strip Hardware Kit for PSK-090	1
R141830112	Cover Strip for PSK-060	8
R117519049	Cover Strip for PSK-090	1
R141630000	Drive End for PSK-060	4
R141630002	Drive End for PSK-060, with integrated flange and coupling for MSK030	4
R141630006	Drive End for PSK-060, with integrated flange for NEMA-23D	4
R141630010	Idler End for PSK-060	3
R141732010	Carriage for PSK-060, long aluminum for cover strip version	5
R141730005	Carriage for PSK-060, long steel for open and cover plate versions	5
R141730000	Carriage for PSK-060, standard steel for open and cover plate versions	5
R141732012	Carriage Plate for PSK-060, standard for cover strip version	2
R141732014	Carriage Plate for PSK-060, one standard carriage and cover plate	2
R141732013	Carriage Plate for PSK-060, long for cover strip version	2
R141732015	Carriage Plate for PSK-060, one long carriage and cover plate	2
R141732016	Carriage Plate for PSK-060, two standard carriages and cover plate	2
R141732017	Carriage Plate for PSK-060, two long carriages and cover plate	2

Part Number	Description	Max. Quantity	Shipment (Business Days)
R141830000	COVER PSK 60 BG	1	1 day(s)
R141840000	COVER PSK 90 BG	1	1 day(s)
R117519049	COVER STRIP 20/25-80	1	3 day(s)
R141830112	COVER STRIP PSK 60	1	3 day(s)
R141630000	END BLOCK FIXED B. PSK 60	1	1 day(s)
R141630002	END BLOCK FIXED B. PSK 60 (MKD025) BG	1	1 day(s)
R141630006	END BLOCK FIXED B. PSK 60 (NEMA 23-D) BG	1	1 day(s)
R141630010	END BLOCK FLOAT.B. PSK 60 BG	1	1 day(s)
R141730000	LINEAR CARRIAGE PSK 60-1TT-ST-C1 BG	1	1 day(s)
R141732010	LINEAR CARRIAGE PSK 60-1TTL-AL-C1 BG	1	1 day(s)
R141730005	LINEAR CARRIAGE PSK 60-1TTL-ST-C1 BG	1	1 day(s)
R141732012	TABLE TOP PSK 60-1TT-BA BG	1	1 day(s)
R141732014	TABLE TOP PSK 60-1TT-BL BG	1	1 day(s)
R141732013	TABLE TOP PSK 60-1TTL-BA BG	1	1 day(s)
R141732015	TABLE TOP PSK 60-1TTL-BL BG	1	1 day(s)
R141732016	TABLE TOP PSK 60-2TT-BL BG	1	1 day(s)
R141732017	TABLE TOP PSK 60-2TTL-BL BG	1	1 day(s)

GoTo Focused Delivery Program: CKK Compact Modules

CKK Compact Modules



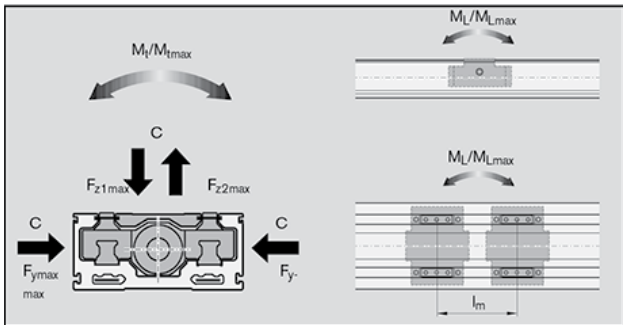
CKK Compact Modules are ready-to-install, precision ball screw drive systems, characterized by high performance, compact design, and good price/performance ratio. They are available in any desired length and feature identical external dimensions as the CKR Compact Module, simplifying the ordering of accessories and attachments. EasyHandling compatible options also available through the GoTo Program.

For complete engineering and design information: **GoTo www.boschrexroth-us.com/GoToCompactModules**

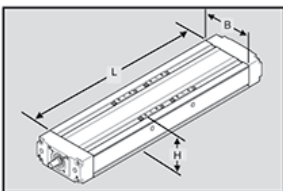
Features

- Two integrated zero-clearance ball rail systems provide optimized travel performance, high load capacities, and high rigidity
- Precision ball screw drive with preloaded ball nut, two row angular contact thrust bearing, and double ball bearings on float end
- Easy motor attachment by means of locating feature and threaded holes on the drive head. (In-line and side drive options available)
- Adjustable switches over the entire travel range; switch activation without switching cam
- Economical maintenance thanks to one-point lubrication feature (grease lubrication) from both sides or via the carriage
- Precise alignment and secure fastening of attachments with threads and pin holes in the carriage

Technical Data



Compact Module	CKK-090	CKK-110	CKK-145	CKK-200
B (mm)	90	110	145	200
H (mm)	40	50	65	100
Max. L (mm)	750	1,500	1,800	2,300

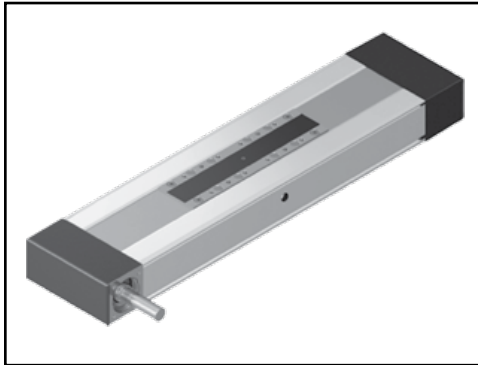


Compact Module	Number of Carriages	Guideway			Maximum Permissible Forces			Maximum Permissible Moments		Ball Screw	
		Dynamic Load Capacity C (N)	Dynamic Load Moments		F_{z1max} (N)	F_{z2max} (N)	F_{ymax} (N)	M_{tmax} (Nm)	M_{Lmax} (Nm)	Size $d_0 \times P$	Dynamic Load Capacity C (N)
			M_t (Nm)	M_L (Nm)							
CKK-090	2 ($l_m = 65mm$)	7,500	200	240	7,500	7,500	4,050	200	240	12 x 5	3,800
										12 x 10	2,500
CKK-110	1	15,600	515	80	12,000	6,000	3,480	198	31	16 x 5	12,300
	2 ($l_m = 85mm$)	25,340	835	1,075	19,490	9,740	5,650	322	414	16 x 10	9,600
CKK-145	1	37,600	1,650	255	29,000	14,500	8,410	638	100	16 x 16	6,300
	2 ($l_m = 100mm$)	61,080	2,685	3,050	47,110	23,550	13,660	1,030	1,180	20 x 5	14,300
CKK-200										20 x 20	9,100
	2 ($l_m = 175mm$)	89,340	5,800	7,810	68,550	34,270	19,880	2,228	2,999	25 x 10	15,700
										32 x 5	21,500
										32 x 10	31,700
										32 x 20	19,700
										32 x 32	19,500

Part Number	Description	Max. Quantity	Shipment (Business Days)
R036040000	CKK 15-110 (screw drive)	4	10 day(s)
R036050000	CKK 20-145 (screw drive)	4	10 day(s)
R036030000	COMPACT MODULE CKK-090-NN-1	4	10 day(s)
R036060000	COMPACT MODULE CKK-200-NN-1	4	10 day(s)

GoTo Focused Delivery Program: CKR Compact Modules

CKR Compact Modules



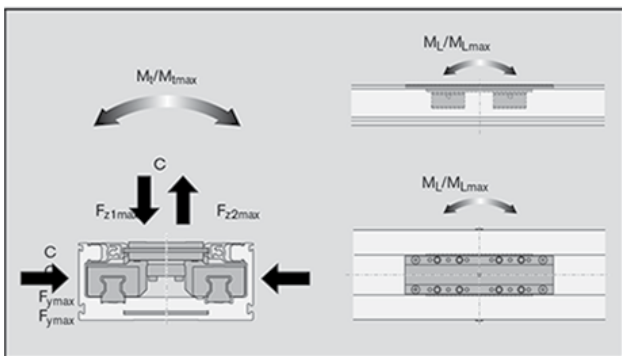
Rexroth Compact Modules are precision, ready-to-install linear motion systems characterized by their high performance, compact design, and good price/performance ratio. They are available in any desired length and both the CKK and CKR have identical external dimensions and use similar accessories and attachments, making them easy to order.

For complete engineering and design information: **GoTo www.boschrexroth-us.com/GoToCompactModules**

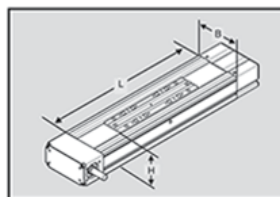
Features

- Two integrated zero-clearance ball rail systems provide optimized travel performance, high load capacities, and high rigidity
- Heavy duty toothed belt drive system capable of high thrust forces over long lengths
- Easy motor attachment by means of a locating feature and threaded holes on the drive end
- Adjustable switches over the entire travel range, switch activation without switching cam
- Economical maintenance thanks to one-point lubrication feature (grease lubrication) from both sides or via the carriage
- Precise alignment and secure fastening of attachments with threads and pin holes in carriage

Technical Data



Compact Module	CKR 15-110	CKR 20-145	CKR 25-200
B (mm)	110	145	200
H (mm)	50	65	100
Max. L (mm)	3,920	3,920	4,000

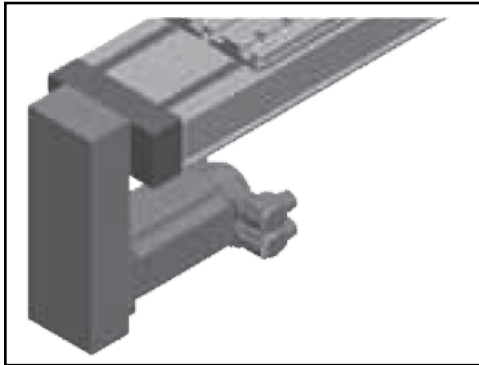


Compact Module	Carriage Length L _t (mm)	Dynamic Load Capacity C (N)	Dynamic Load Moments		Gear Red. Ratio i	Max. Drive Torque M _d (Nm)	Max. Belt Thrust Force F (N)	Maximum Permissible Forces			Maximum Permissible Moments	
			M _t (Nm)	M _L (Nm)				F _{z1max} (N)	F _{z2max} (N)	F _{ymax} (N)	M _{tmax} (Nm)	M _{Lmax} (Nm)
CKR 15-110	170	14,560	480	80	1	13.5	705	11,200	5,600	3,240	180	40
	215	23,650	780	1,000	5	2.4						
					10	1.1						
CKR 20-145	240	56,530	2,480	2,820	1	32.5	1,235	43,470	21,730	12,600	950	1,080
					5	6.4						
					10	3.2						
CKR 25-200	405	89,340	5,800	7,810	1	112.7	2,830	68,710	34,350	19,920	2,230	3,000
					3	24.0						

Part Number	Description	Max. Quantity	Shipment (Business Days)
R036440000	CKR 15-110 (belt drive)	4	5 day(s)
R036450000	CKR 20-145 (belt drive)	4	5 day(s)
R036460000	COMPACT MODULE CKR-200-NN-1	2	5 day(s)

GoTo Focused Delivery Program: CKx Compact Modules

CKx Compact Modules - Motor Assemblies



Add a motor to your GoTo module. GoTo module options have been expanded to now include select catalog motor options. This option provides delivery and full factory assembly of the motor and motor attachment to the module. Motor options available and mounting orientation information shown.

For complete engineering and design information: **GoTo** www.boschrexroth-us.com/GoToCompactModules

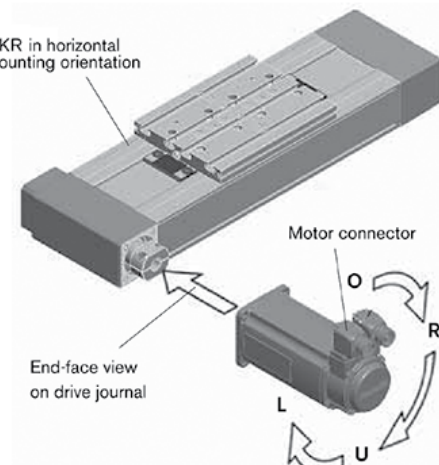
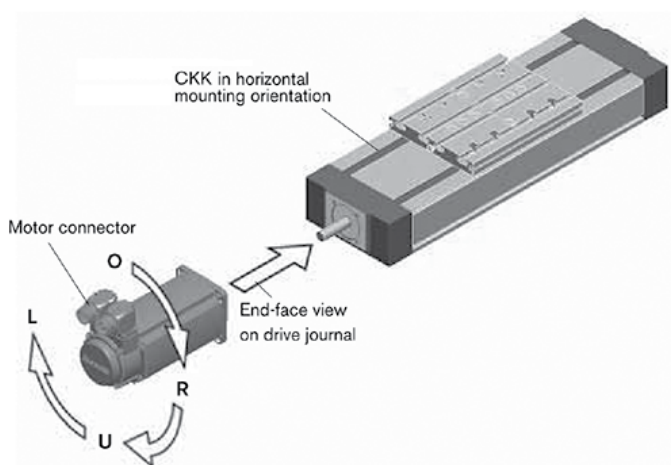
Features

- See Technical Data for more information.

Rexroth Catalog Motors

Module Option Code	Motor Description	Type Code
84	MSK 030C w/ Absolute Encoder	MSK030C-0900-NN-M1-UG0-NNNN
85	MSK 030C w/ Absolute Encoder & Brake	MSK030C-0900-NN-M1-UG1-NNNN
86	MSK 040C w/ Absolute Encoder	MSK040C-0600-NN-M1-UG0-NNNN
87	MSK 040C w/ Absolute Encoder & Brake	MSK040C-0600-NN-M1-US10NNNN
108	MSM 031C w/ Absolute Encoder	MSM031C-0300-NN-M0-CH0
109	MSM 031C w/ Absolute Encoder & Brake	MSM031C-0300-NN-M0-CH1
110	MSM 041B w/ Absolute Encoder	MSM041B-0300-NN-M0-CH0
111	MSM 041B w/ Absolute Encoder & Brake	MSM041B-0300-NN-M0-CH1

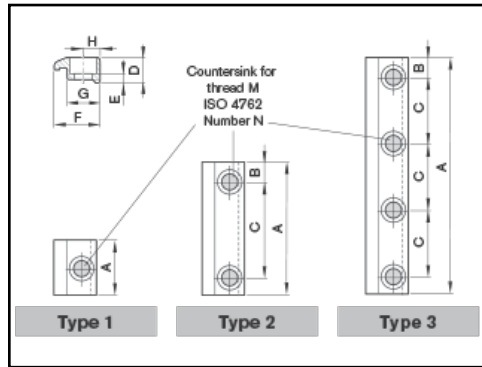
Motor orientation, viewed end-on looking at the module drive input, must be specified on the order. O-Top, R-Right, U-Bottom, L-Left.



Part Number	Description	Max. Quantity	Shipment (Business Days)
Varies	MSK030C-0900-NN-M1-UG0-NNNN	2	15 day(s)
Varies	MSK030C-0900-NN-M1-UG1-NNNN	2	15 day(s)
Varies	MSK040C-0600-NN-M1-UG0-NNNN	2	15 day(s)
Varies	MSK040C-0600-NN-M1-UG1-NNNN	2	15 day(s)
Varies	MSM031C-0300-NN-M0-CH0	2	15 day(s)
Varies	MSM031C-0300-NN-M0-CH1	2	15 day(s)
Varies	MSM041B-0300-NN-M0-CH0	2	15 day(s)
Varies	MSM041B-0300-NN-M0-CH1	2	15 day(s)

GoTo Focused Delivery Program: CKx Compact Modules

CKx Compact Modules - Mounting Accessories



CKx mounting accessories are used to mount CKK and CKR modules to a fixed base.

For complete engineering and design information: **GoTo www.boschrexroth-us.com/GoToCompactModules**

Features

- The recommended number of clamping fixtures depends on the type used:
 - Type 1: 6 pieces per meter per side
 - Type 2: 4 pieces per meter per side
 - Type 3: 3 pieces per meter per side

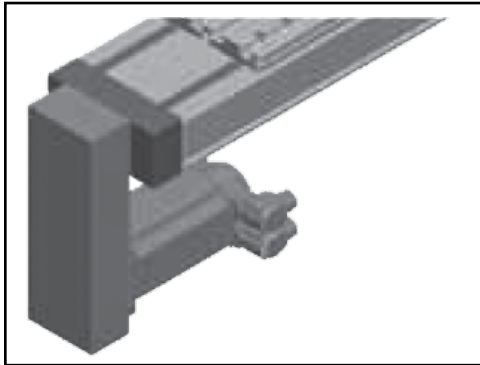
Frame size	For thread	Type	Number of holes N	Dimensions (mm)								Part number
				A	B	C	D	E	F	G	H	
110 and 145	M5	3	4	107	8.5	30	11.5	4.8	19.3	14.0	7	R037541002
		1	1	25	—	—	11.5	5.3	19.3	14.0	7	R037551000
	3	4	142	11.0	40	R037551002						
	2	2	72	11.0	50	R037551033						
	2	2	62	11.0	40	R037551034						
200	M8	2	2	108	19.0	70	27.5	16.3	29.0	19.0	9	R117529026

CKR Compact Modules: When installing the clamping fixtures, observe a minimum distance of 10 mm to the end face of the frame.

Part Number	Description	Max. Quantity	Shipment (Business Days)
R117529026	CLAMPING PIECE 25-110	96	1 day(s)
R037541002	Clamping piece - CKX 15-110	96	5 day(s)
R037551033	Clamping piece - CKX 15-110 / 20-145	16	5 day(s)
R037551000	Clamping piece - CKX 20-145	192	5 day(s)
R037551002	Clamping piece - CKX 20-145	96	5 day(s)
R037551034	Clamping piece - CKX 20-145	16	5 day(s)

GoTo Focused Delivery Program: CKx Compact Modules

CKx Compact Modules - Spare Parts



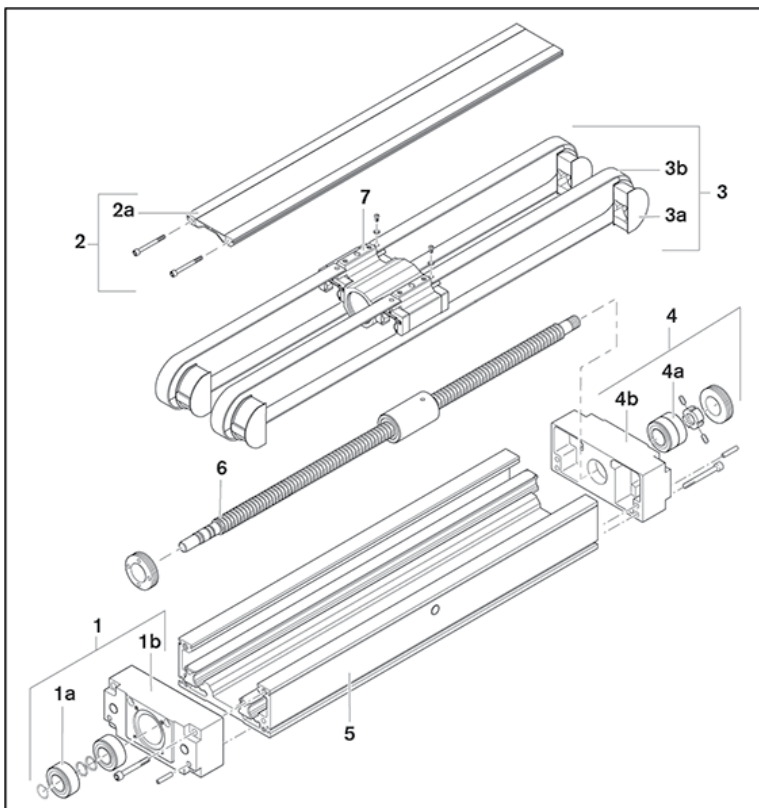
CKK and CKR spare parts are offered in the GoTo Program for quick replacement or service of existing units.

For complete engineering and design information: **GoTo** www.boschrexroth-us.com/GoToCompactModules

Features

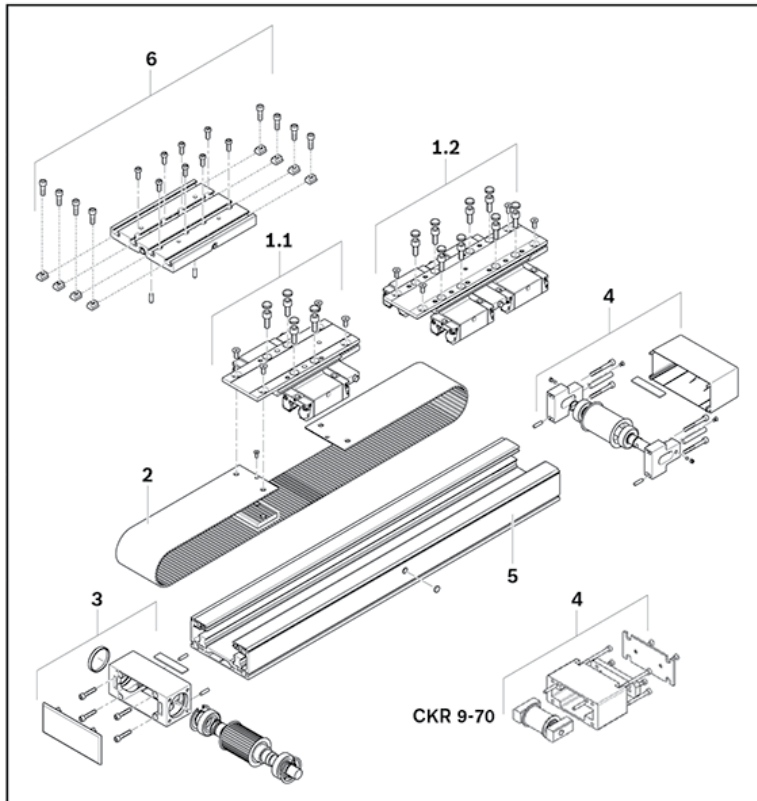
- Available CKK spare parts:
 - Cover Strips
 - Cover Strip Hardware Kit
- Available CKR spare parts:
 - Drive Ends
 - Carriages (with magnets)
 - Tension Ends & Belts
- See detailed part number and descriptions in technical data

CKK spare parts offering in GoTo:



Part No.	Material Description	Pos.
R037431001	Cover Strip for CKK-090	3b
R037441001	Cover Strip for CKK-110	3b
R037451001	Cover Strip for CKK-145	3b
R037461001	Cover Strip for CKK-200	3b
R037430005	Cover Strip Hardware Kit for CKK-090	3a
R037440000	Cover Strip Hardware Kit for CKK-110	3a
R037450000	Cover Strip Hardware Kit for CKK-145	3a
R037460000	Cover Strip Hardware Kit for CKK-200	3a

CKR spare parts offering in GoTo:

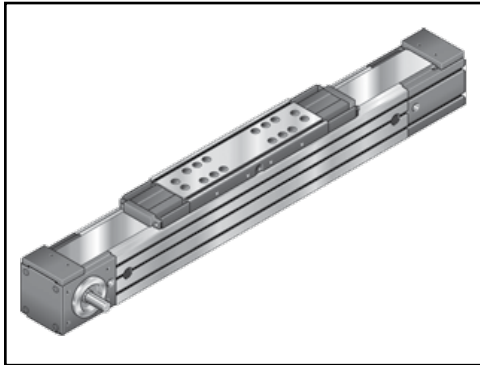


Part No.	Material Description	Pos.
R037140009	Drive End for CKR-110, female with through shaft	3
R037150009	Drive End for CKR-145, female with through shaft	3
R037140000	Drive End for CKR-110, single shaft without keyway	3
R037150000	Drive End for CKR-145, single shaft without keyway	3
R987205097	Carriage for CKR-110, 215mm length, with magnets	1.2
R987205098	Carriage for CKR-110, 170mm length, with magnets	1.1
R987205099	Carriage for CKR-145, 240mm length, with magnets	1.2
R037240020	Tension End for CKR-110	4
R037250021	Tension End for CKR-145	4
R037544001	Toothed Belt for CKR-110	2
R037554001	Toothed Belt for CKR-145	2

Part Number	Description	Max. Quantity	Shipment (Business Days)
R037461001	COVER STRIP 27 X 1	1	3 day(s)
R037431001	COVER STRIP CKK 12-90	1	3 day(s)
R037441001	COVER STRIP CKK 15-110	1	3 day(s)
R037451001	COVER STRIP CKK 20-145	1	3 day(s)
R037140009	END BLOCK CKR 15-110 BG	1	1 day(s)
R037150009	END BLOCK CKR 20-145 BG	1	1 day(s)
R037140000	END BLOCK l=1 BG	1	1 day(s)
R037150000	END BLOCK l=1 BG	1	1 day(s)
R987205098	LINEAR CARRIAGE CKR110 LT170 MAGNETS	1	3 day(s)
R987205097	LINEAR CARRIAGE CKR110 LT215 MAGNETS	1	3 day(s)
R987205099	LINEAR CARRIAGE CKR145 LT240 MAGNETS	1	3 day(s)
R037460000	RETURN BG	1	1 day(s)
R037430005	RETURN CKK 12-90	1	1 day(s)
R037440000	RETURN CKK 15-110	1	1 day(s)
R037450000	RETURN CKK 20-145	1	1 day(s)
R037240020	TENSION END BG	1	1 day(s)
R037250021	TENSION END CKR 20-145	1	1 day(s)
R037544001	TOOTHED BELT 50 AT5	1	3 day(s)
R037554001	TOOTHED BELT 70 AT5	1	3 day(s)

GoTo Focused Delivery Program: MKR Linear Module

MKR Linear Module - Toothed Belt Drive



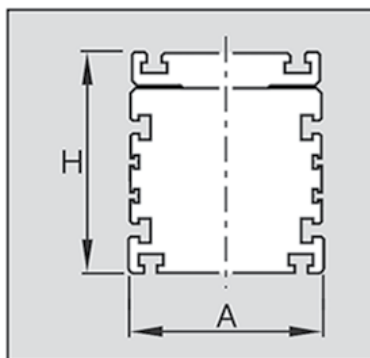
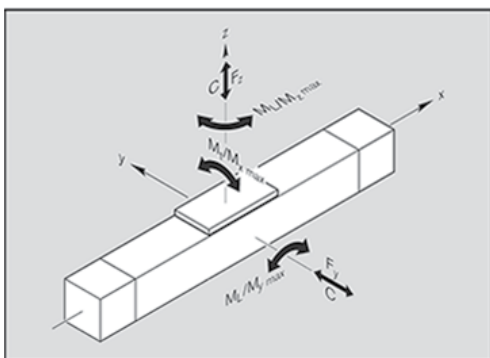
These modules are made from extremely compact aluminum profiles with integrated Rexroth Ball Rail systems. A toothed belt provides the drive power for travel speeds up to 5 m/s. The integrated, zero-clearance rail system from Rexroth is designed for high load capacities and optimum workflows where large weights have to be moved at high speeds.

For complete engineering and design information: **GoTo www.boschrexroth-us.com/GoToLinearModules**

Features

- Sealing by means of a corrosion-resistant steel strip (also available without sealing strip)
- Idler (non-drive) end enclosure: with integrated belt tensioning system
- Two integrated zero-clearance ball rail systems provide optimized travel performance, high load capacities, and high rigidity
- Mounting of attachments with the aid of T-slots or tapped holes in the carriage
- One-point, in-service lubrication of the ball rail from either side; suitable for grease lubrication via manual grease gun
- Choice of gear ratios to optimally match the external load and the motor's inertia

Technical Data



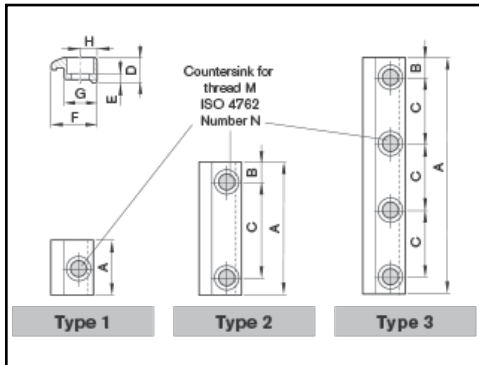
Linear Module	MKR 25-110
A (mm)	110
H (mm)	129
Max. L (mm)	9400

Linear Module	Carriage Length	Dynamic Load Capacity	Dynamic Load Moments		Gear Red. Ratio	Max. Drive Torque	Max. Belt Thrust Force	Maximum Permissible Forces		Maximum Permissible Moments	
	Lt (mm)	C (N)	Mt (Nm)	ML (Nm)	i	Ma (Nm)	F (N)	Fzmax (N)	Fymax (N)	Mtmax (Nm)	ML (Nm)
MKR-110-NN-2	210	22,800	300	168	1	80.0	1,740	10,660	10,660	150	84
					1 (with keyway)	27.0					
	305	49,400	631	2,574	3	26.6	22,335	22,335	316	1,287	
					5	16.0					
					10	8.0					

Part Number	Description	Max. Quantity	Shipment (Business Days)
R114026010	LINEAR MODULE MKR-110-NN-2	4	5 day(s)

GoTo Focused Delivery Program: MKR Linear Module

MKR Linear Module - Mounting Accessories



MKR mounting accessories are used to mount MKR modules to a fixed base.

For complete engineering and design information: *GoTo* www.boschrexroth-us.com/GoToLinearModules

Features

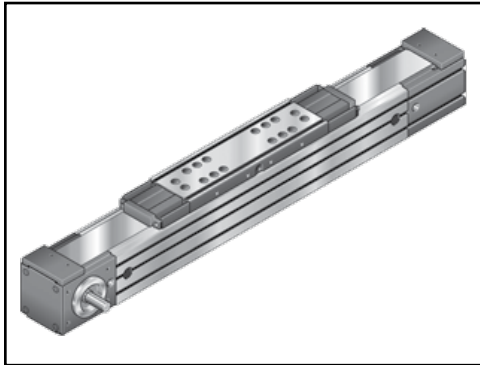
- The recommended number of clamping fixtures depends on the type used:
 - Type 1: 6 pieces per meter per side
 - Type 2: 4 pieces per meter per side
 - Type 3: 3 pieces per meter per side

Frame size	For thread	Type	Number of holes N	Dimensions (mm)						Part number	
				A	B	C	D	E	F		H
MKR-110	M8	2	2	108	19	70	27.5	16.5	29	9	R117529026

Part Number	Description		Max. Quantity	Shipment (Business Days)
R117529026	CLAMPING PIECE 25-110		96	1 day(s)

GoTo Focused Delivery Program: MKR Linear Module

MKR Linear Module - Spare Parts



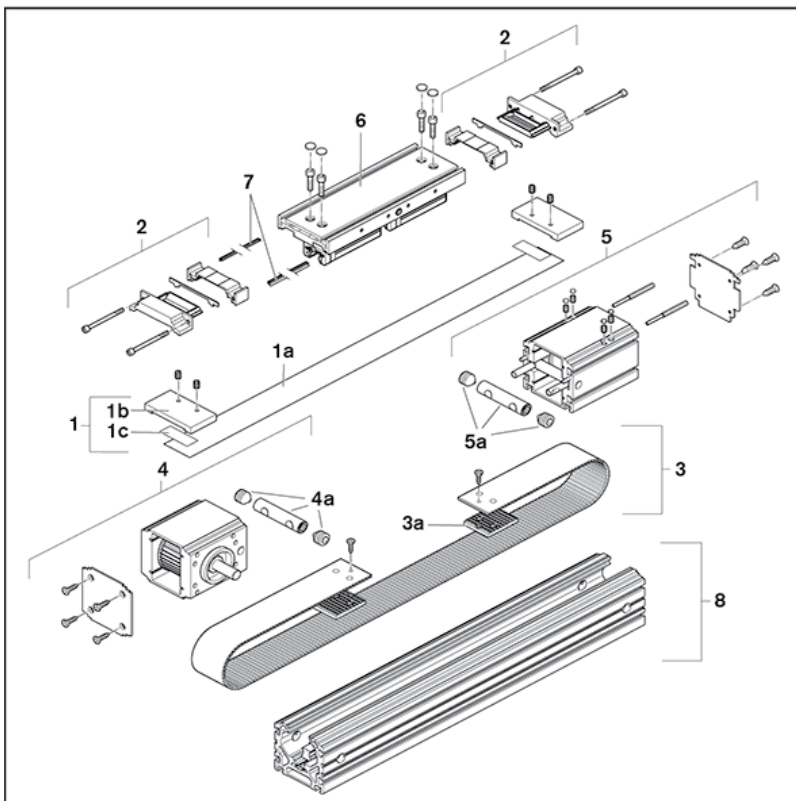
Spare parts for MKR Linear Modules are available in the GoTo program to provide quick replacement options for common parts and to help prolong the lifespan of modules.

For complete engineering and design information: **GoTo** www.boschrexroth-us.com/GoToLinearModules

Features

- Components available for MKR-110 Linear Module:
 - Cover strip and cover strip hardware kit
 - Drive Ends
 - Carriages with threaded holes or t-slots
 - Tension End
 - Toothed Belt

MKR spare parts offering in GoTo:

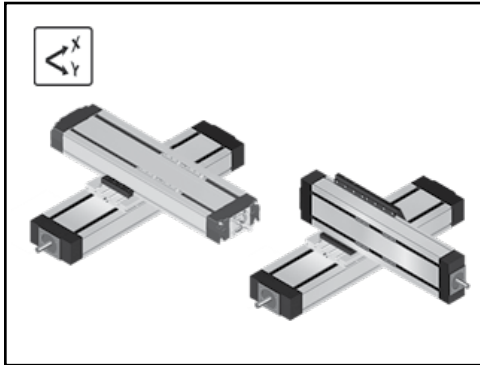


Part No.	Material Description	Pos.
R117520115	Cover Strip Hardware Kit for MKR-110	1b, 1c, 2
R117529049	Cover Strip for MKR-110	1a
R117220006	Drive End for MKR-110, single shaft without keyway	4
R117220007	Drive End for MKR-110, through shaft without keyway	4
R117320032	Carriage for MKR-110, 210mm length, with threaded holes	6
R117320033	Carriage for MKR-110, 305mm length, with threaded holes	6
R117320031	Carriage for MKR-110, 305mm length, with t-slots	6
R117120010	Tension End for MKR-110	5
R117529061	Toothed Belt for MKR-110	3

Part Number	Description		Max. Quantity	Shipment (Business Days)
R117520115	COVER	25-110	1	1 day(s)
R117529049	COVER STRIP	25-110	1	3 day(s)
R117220006	DRIVE END	M_R -110/145	1	1 day(s)
R117220007	DRIVE END	M_R -110/145*2Z	1	1 day(s)
R117320032	LINEAR CARRIAGE	MKR 25-110-210MM-G BG	1	1 day(s)
R117320033	LINEAR CARRIAGE	MKR 25-110-305MM-G BG	1	1 day(s)
R117320031	LINEAR CARRIAGE	MKR 25-110-305MM-T BG	1	1 day(s)
R117120010	TENSION END	M_R -110/145	1	1 day(s)
R117529061	TOOTHED BELT	50 AT 10	1	3 day(s)

GoTo Focused Delivery Program: EasyHandling

EasyHandling - Connection Kits

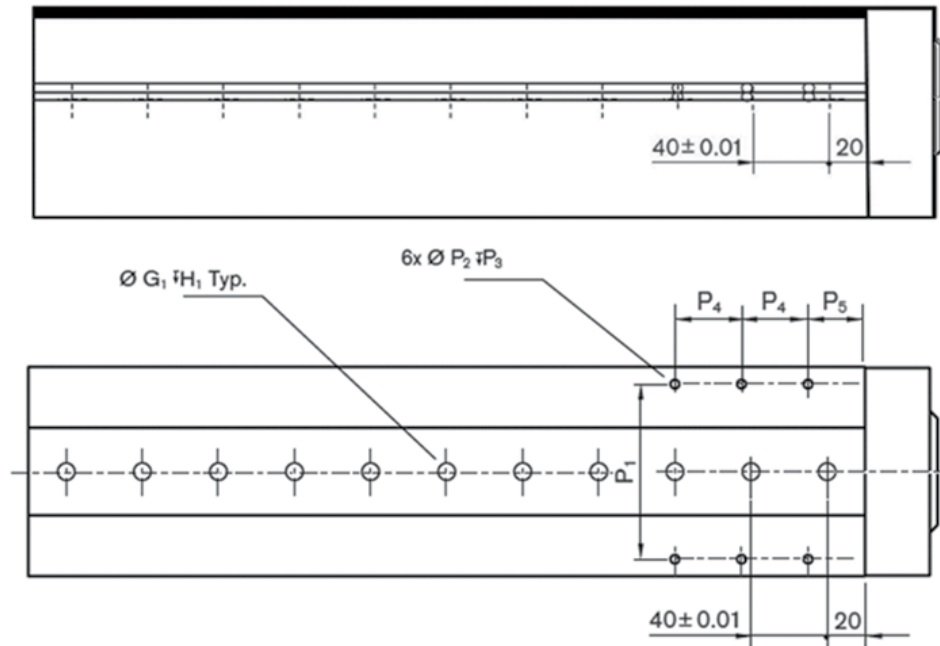


Combine EasyHandling Basic components effortlessly using Rexroth connection technology. Guideway Centering Ring option “03,” designed for positive-locking connections, ensures good reproducibility of assemblies. This option is available on GoTo modules with a maximum L dimension of 1450 mm.

For complete engineering and design information: **GoTo** www.boschrexroth-us.com/GoToEasyHandling

Features

- Easy and fast assembly thanks to direct connection
- Centering rings ensure precision and reproducibility for connections
- Optimized design for compact assemblies and installation space
- Standardized component interface across all connection technology



CKx size	P ₁	P ₂	P ₃	P ₄	P ₅	ØG ₁ H7	H ₁
9-70	59	M3	5.0	25	15	7	1.6
12-90	76	M4	7.5	35	30	9	2.1
15-110	92	M5	9.0	35	30	9	2.1
20-145	124	M6	13.0	35	30	12	2.1

Part Number	Description	Max. Quantity	Shipment (Business Days)
R039110128	ANGLE X20/Y15	2	3 day(s)
R039110326	CONNECTING ANGLE XC145/YC110	2	3 day(s)
R039120046	CONNECTING KIT X15/Y15	2	3 day(s)
R039120047	CONNECTING KIT X20/Y15	2	3 day(s)
R039120048	CONNECTING KIT X20/Y20	2	3 day(s)
R039110182	Connecting Kit Extended X20 / Y15 (Left Hand)	1	3 day(s)
R039110176	Connecting Kit Extended X20 / Y15 (Right Hand)	1	3 day(s)
VARIES	GoTo Module with 03 Guideway Option (Centering Ring Machining)	4	15 day(s)

GoTo Focused Delivery Program: EasyHandling

EasyHandling - Two Axis Assemblies



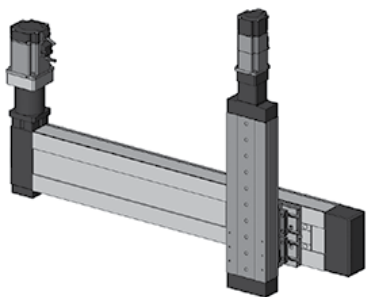
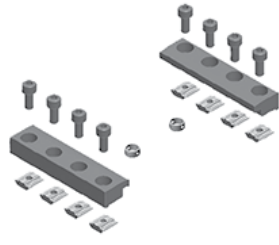
Create your own Cartesian or Gantry Assembly by utilizing EasyHandling Connection Technology. Direct connection kits eliminate the need for intermediate plates resulting in high structural integrity within minimal space requirements. Standardized angle brackets use centering rings to reduce part complexity, while allowing easy installation and reproducibility.

For complete engineering and design information: **GoTo** www.boschrexroth-us.com/GoToEasyHandling

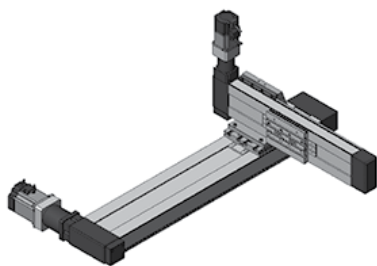
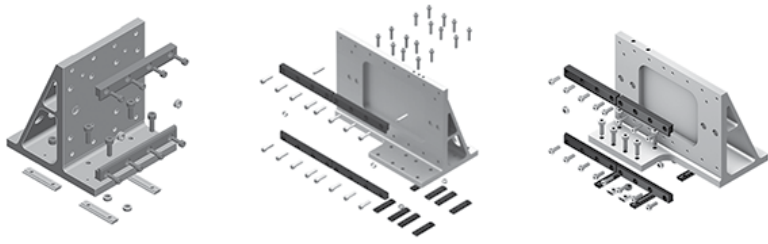
Features

- Easy and fast assembly thanks to direct connection
- Centering rings ensure precision and reproducibility for connections
- Optimized design for compact assemblies and installation space
- Standardized component interface across all connection technology

Direct Connection Hardware Kits

 <p>XZ Cartesian example using Direct Connection Kit</p>		
	Connecting Kit X110/Y110	R039120046
	Connecting Kit X145/Y110	R039120047
	Connecting Kit X145/Y145	R039120048

Angle Bracket Hardware Kits

 <p>XZ Cartesian example using Angle Connection Kit</p>		
	Angle X145/Y110	R039110326
	Connecting Kit Extended X145/Y110 (left hand)	R039110182
	Connecting Kit Extended X145/Y110 (right hand)	R039110176

Part Number	Description	Max. Quantity	Shipment (Business Days)
R021CSxxx	2-Axis Assembly (Angle Connection)	2	20 day(s)
R021CSxxx	2-Axis Assembly (Direct Connection)	2	20 day(s)

Bosch Rexroth USA

Headquarters
14001 South Lakes Drive
Charlotte, NC 28273
Telephone (800) REXROTH
(800) 739-7684
info@boschrexroth-us.com
www.boschrexroth-us.com/goto

Bosch Rexroth Canada

Headquarters
490 Prince Charles Drive South
Welland, ON L3B 5X7
Telephone (855) REXROTH
(855) 739-7684
info@boschrexroth.ca
www.boschrexroth.ca/goto

Bosch Rexroth Mexico

Neptuno 72, Unidad
Industrial Vallejo
Deleg. Gustavo A.
Madero Mexico D.F. 07700
Telephone: +52 (55) 57 47 0800
ventas@boschrexroth.com.mx
www.boschrexroth.com.mx/goto