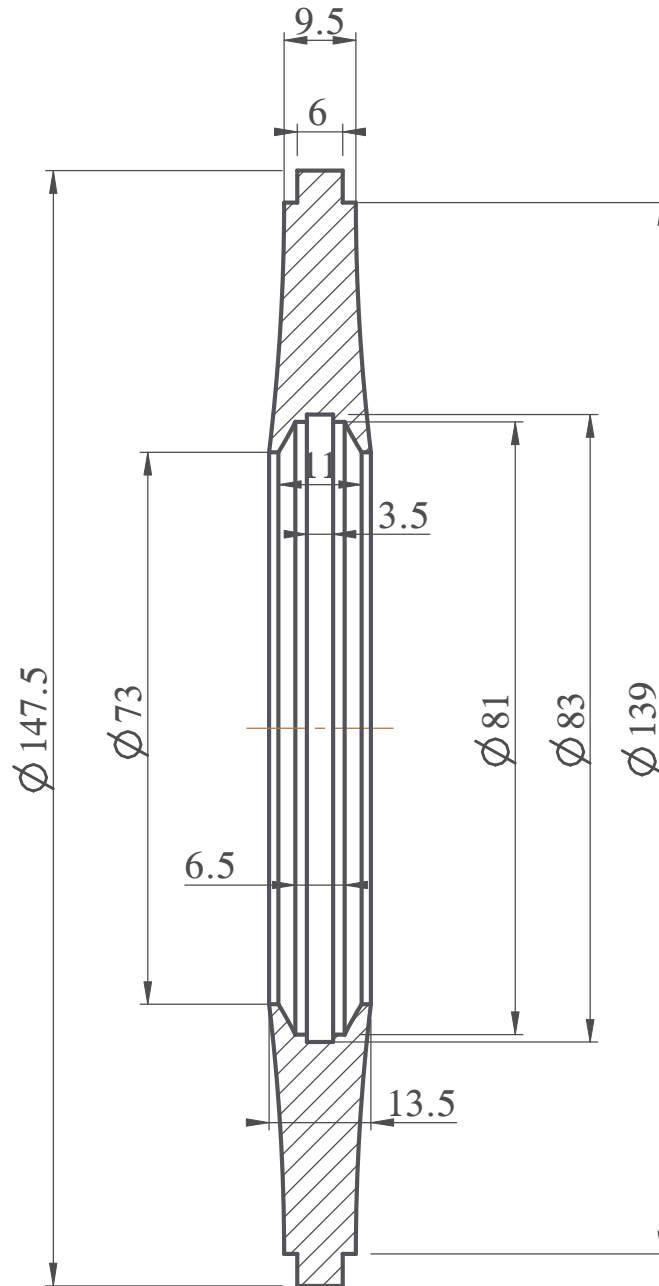




SCALE 2:5



SECTION C-C
SCALE 1:1

NO.	PART	QTY	MATERIAL	HEAT TREATMENT	HARDNESS (HRC)	ROUGHNESS Ra (μm)
01			Polyurethan			
RADIAL CLEARANCE (mm)	VIBRATIONS (μm/s)			RATED LOAD (kN)		DESIGNATION
	LIMITING SPEED (RPM) (G=grease, O=oil)			GREASE/OIL TYPE	WEIGHT (kg)	
AXIAL CLEARANCE (mm)		NOISE (dB)		SEAL		TSNG 617
						ITAL CODE 637200225
Per informazioni relative al significato dei parametri e dei suffissi citati, fare riferimento ai cataloghi ISB disponibili sul sito internet. Per dettagli relativi a dati e/o informazioni non riportate nel documento, contattare ISB HQ.				RELEASE	DATE	SIGNATURE
For information related to the meaning of the here mentioned parameters and suffixes, please refer to the ISB catalogues available on the website. For details regarding data and/or information not reported in the document, please contact ISB HQ.				0	12/04/2024	Giuseppe Caruso

