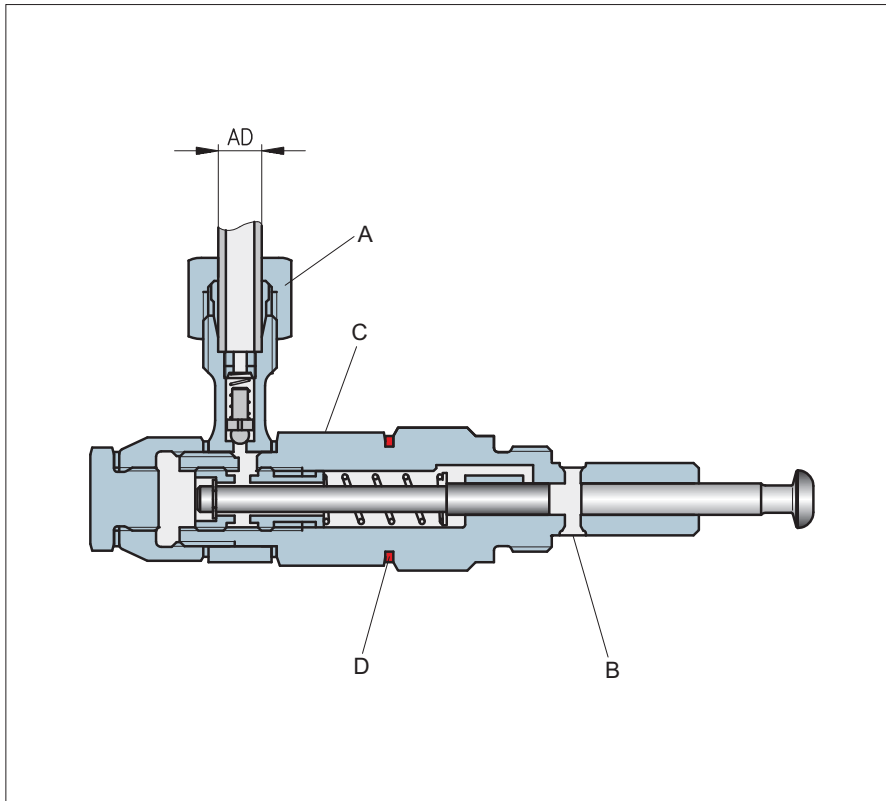




- Subject to modifications -



**Pumpelement DMF-A**

- for GMF, PMW, GMA
- adjustable

**A = Connector**

Thread	Pipe AD	Order-no.
M12x1,5	6	110.070-64
M14x1,5	8	110.080-64
M16x1,5	10	110.090-64
7/16-20 UNF-2A	1/4	110.102-64
1/2-20 UNF-2A	5/16	110.103-64
9/16-18 UNF-2A	3/8	110.104-64
M16x1,5	8S <sup>1)</sup>	110.088-64
9/16 UNF	8T <sup>2)</sup>	110.095-64

**B = Sieve**

Mesh width: 400 µm  
Material: 1.4301  
Order-no.: 913.300-21

**C = Tolerance quality marking**  
(no marking in case of fit quality I)

**D = red ring** for denoting the element with piston ø8

**Order designation:**



Piston-ø	Connector A for pipe	Sieve	Fit	Design	Delivery capacity
6 ⑥	AD6 mm	⑥	Quality I ①	Standard ①	max. volume (Standard) ①
	AD8 mm	⑧			
	AD10 mm	⑩			
	AD1/4"	①			
8 ⑧	AD5/16"	②	(Special version upon request)	(Special version upon request)	adjusted (please denote delivery volume) ②
	AD3/8"	③			
	AD8 mm <sup>1)</sup>	⑧S			
	AD10 mm 3/8" <sup>2)</sup>	⑧T			
	without connector	①			③

**Minimum delivery volume at the maximum adjustment:**

Piston-ø6: 0,08 cm<sup>3</sup>  
Piston-ø8: 0,15 cm<sup>3</sup>

For further technical data and assembly instructions see data sheets GMF, PMW, GMA.

Pump elements for GMG see spare parts E0793 and E0704.

<sup>1)</sup> Heavy series

<sup>2)</sup> Triple Lok 6 JIC 37° without cap nut