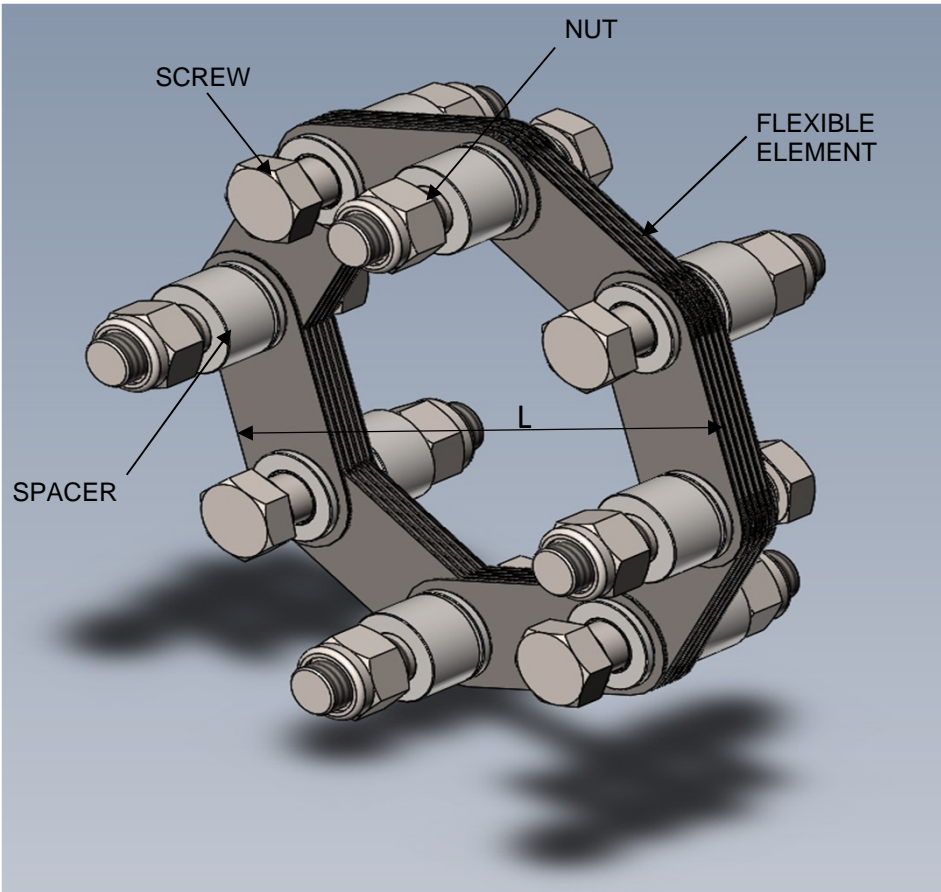


SPARE PART SET - LIST OF COMPONENTS



CODE of the complete spare set	Flexible Element (L)	Screw	Nut	Spacer (Dext x H)	Q.ty
R.RP2000	291	M27X120	7473 - M27	50x28	8
R.RP2500	315	M27X130	7473 - M27	50x30	8
R.RP3500	354,6	M30X135	7473 - M30	50x30	8
R.RP5000	384,5	M33X150	7473 - M33	50x35	8
R.RP6500	416,8	M36X160	7473 - M36	60x38	8

Remarks: FOR A COUPLING TYPE RPD NEEDS TWO OF SPARE PART SET.

RU-STEEL ITALIA r.s.l. Registered Office: Via F. Sforza, 4 - 20060 LISCATE (MI) - ITALIA

Headquarters and Production Site: Via Ugo La Malfa, 25 - 20066 MELZO (MI) - ITALIA

www.ru-steel.it e-mail: info@ru-steel.it tel.: +39 0295735269 Fax.: +39 0295735270