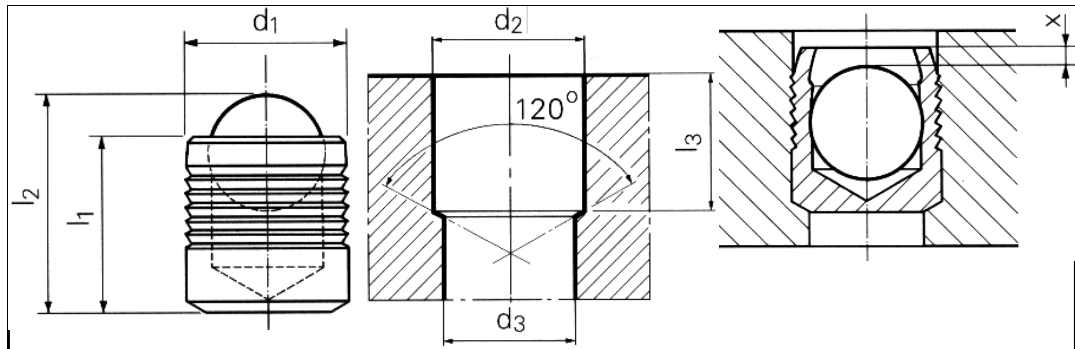


# Data sheet - MB 600-060

Sealing Plugs for operating pressure up to 450 bar



3D-Data available	
Order description	MB 600-060
d1	6.0 mm
l1	6.5 mm
l2 ~	8.60 mm
d2 +0.1 0	6.0 mm
Max. d3	5.3 mm
Min. l3	6.3 mm
x ±0.2	0.4 mm
Sleeve material	Stainless steel
Ball material	Stainless steel
Surface	Sleeve and ball clear passivated per MIL S 5002, aerospace quality
Packaging unit	100 / 500

uniform resource locator: