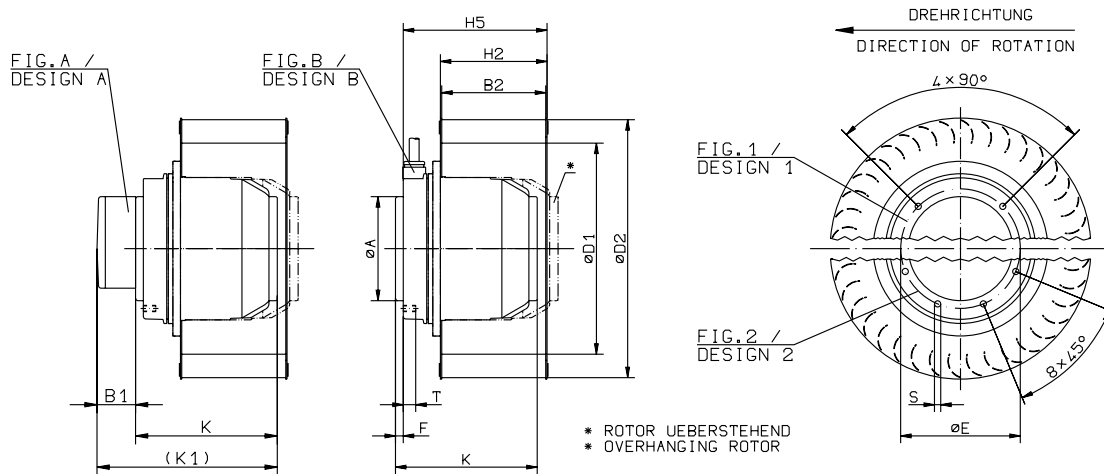


Einflutige Motorlüfterräder mit vorwärtsgekrümmten Schaufeln RE..P

Single inlet motorized impeller with forward curved blades RE..P

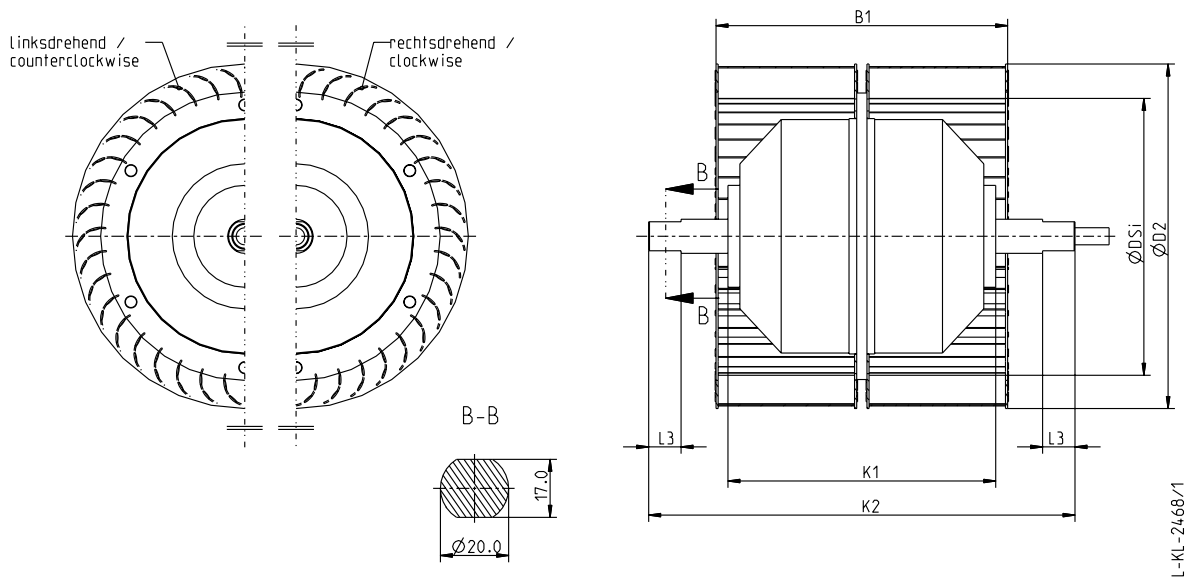


L-KL-2267

Motorlüfterrad Motorized impeller	Art.-Nr. Art. no.	FIG	A	B1	B2	D1	D2	E	F	H2	H5	K	K1	S/Teilung S/division	T
RE20P-4DK.2C.1R	209475	1/B	75	-	80	163	202	90	6.0	82	114	107	-	M6/4x90_	12
RE20P-4EK.2F.1R	209309	1/B	75	-	80	163	202	90	6.0	82	114	122	-	M6/4x90_	12
RE22P-4DK.2F.1R	210157	1/B	75	-	90	183	226	90	6.0	92	124	122	-	M6/4x90_	12
RE22P-4DK.4C.1R	112973	1/A	100	36.5	90	183	226	115	7.5	92	128	116	152.5	M6/4x90_	14
RE22P-4EK.4C.1R	112974	1/A	100	36.5	90	183	226	115	7.5	92	128	116	152.5	M6/4x90_	14
RE25P-4DK.4F.1R	112975	1/A	100	36.5	100	201	251	115	7.5	102	138	136	172.5	M6/4x90_	14
RE25P-4EK.4F.1R	112977	1/A	100	36.5	100	201	251	115	7.5	102	138	136	172.5	M6/4x90_	14
RE25P-4DK.4I.1R	112976	1/A	100	36.5	100	201	251	115	7.5	102	138	156	192.5	M6/4x90_	14
RE25P-4EK.4I.1R	112978	1/A	100	36.5	100	201	251	115	7.5	102	138	156	192.5	M6/4x90_	14
RE25P-6EK.4C.1R	112979	1/A	100	36.5	100	201	251	115	7.5	102	138	116	152.5	M6/4x90_	14
RE28P-4DK.6F.1R	210192	2/B	140	-	112	234	280	162	6.0	114	161	157	-	M10/8x45_	18
RE28P-4EK.6F.1R	209614	2/B	140	-	112	234	280	162	6.0	114	161	157	-	M10/8x45_	18
RE28P-6DK.4C.1R	112980	1/A	100	36.5	112	234	280	115	7.5	114	150	116	152.5	M6/4x90_	14
RE28P-6EK.4F.1R	112981	1/A	100	36.5	112	234	280	115	7.5	114	150	136	172.5	M6/4x90_	14
RE31P-4DK.6F.1R	209456	2/B	140	-	125	255	318	162	6.0	128	175	157	-	M10/8x45_	18
RE31P-4DK.6K.1R	209458	2/B	140	-	125	255	318	162	6.0	128	175	182	-	M10/8x45_	18
RE31P-4EK.6N.1R	107718H	2/B	140	-	125	255	318	162	6.0	128	175	207	-	M10/8x45_	18
RE31P-6DK.6C.1R	210197	2/B	140	-	125	255	318	162	6.0	128	175	142	-	M10/8x45_	18
RE31P-6EK.6F.1R	107831	2/B	140	-	125	255	318	162	6.0	128	175	157	-	M10/8x45_	18
RE35P-4DK.7M.1R	210202	2/B	160	-	140	297	357	190	7.0	142	196	221	-	M12/8x45_	20
RE35P-6DK.6F.1R	209529	2/B	140	-	140	297	357	162	6.0	142	189	157	-	M10/8x45_	18
RE40P-4DK.7Q.1R	210203	2/B	160	-	160	328	402	190	7.0	163	217	251	-	M12/8x45_	20
RE40P-6DK.7M.1R	209518	2/B	160	-	160	328	402	190	7.0	163	217	221	-	M12/8x45_	20
RE40P-8DK.6F.1R	107810	2/B	140	-	160	328	402	162	6.0	163	210	157	-	M10/8x45_	18
RE45P-6DK.7Q.1R	209738	2/B	160	-	180	378	452	190	7.0	183	237	251	-	M12/8x45_	20
RE45P-8DK.7M.1R	107812	2/B	160	-	180	378	452	190	7.0	183	237	221	-	M12/8x45_	20

Zweiflutige Motorlüfterräder mit vorwärtsgekrümmten Schaufeln RZ..P/RZ..S

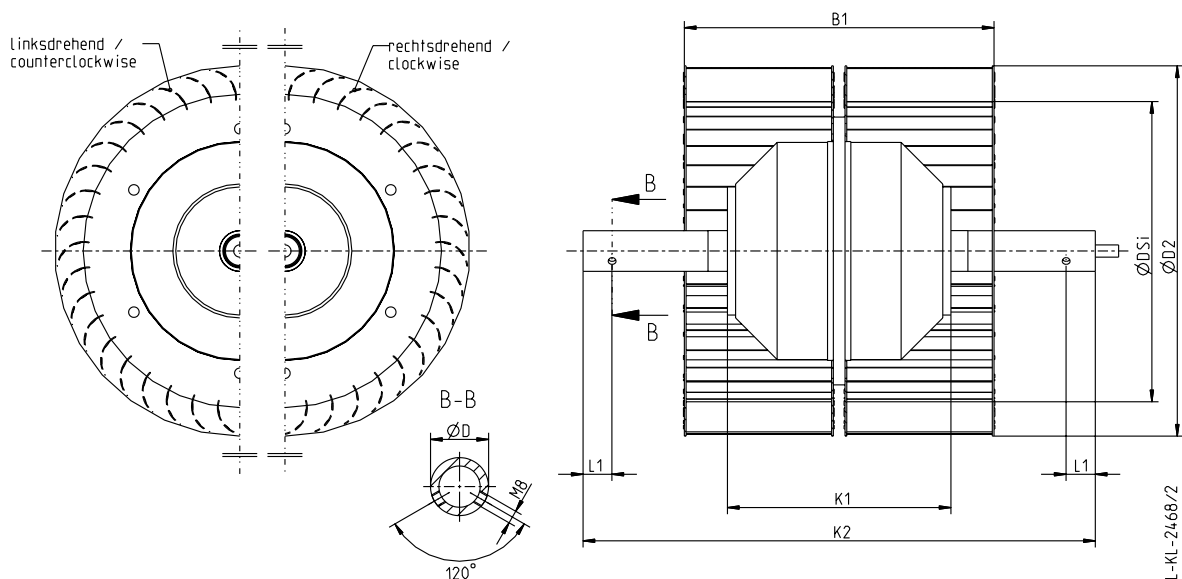
Double inlet motorized impeller with forward curved blades RZ..P/RZ..S



Motorlüfterrad Motorized impeller	Motor Motor	B1	D2	DSi	K1	K2	L3
RZ20P-__W.4F.1__	106-50	171	202	163	157	250	19
RZ22P-__W.4F.1__	106-50	191	226	186	157	250	19
RZ22P-__W.4I.1__	106-70	191	226	186	177	250	19
RZ25P-__W.4I.1__	106-70	211	251	205	177	280	19
RZ25P-__W.4N.1__	106-100	211	251	205	207	278	19
RZ28P-__W.4R.1__	106-140	236	280	233	207	323	19
RZ20S-__W.4C.1__	106-35	238	197	170	142	268	15
RZ20S-__W.4F.2__	106-50	323	197	170	157	354	15
RZ25S-__W.4F.1__	106-50	238	250	212	157	268	15
RZ25S-__W.4I.1__	106-70	238	250	212	177	268	15
RZ25S-__W.4N.1__	106-100	238	250	212	207	268	15
RZ25S-__W.4I.2__	106-70	323	250	212	177	354	15
RZ25S-__W.4N.2__	106-100	323	250	212	207	354	15
RZ28S-__W.4R.2__	106-140	323	280	243	247	353	19

Zweiflutige Motorlüfterräder mit vorwärtsgekrümmten Schaufeln RE..P

Double inlet motorized impeller with forward curved blades RE..P



Motorlüfterrad Motorized impeller	Motor Motor	B1	D	D2	DSi	K1	K2	L1
RZ28P-__W.6L.1__	137-80	240	35	280	233	192	388	25,0
RZ28P-__W.6Q.1__	137-120	240	35	280	233	232	388	25,0
RZ31P-__W.6L.1__	137-80	266	35	318	258	192	385	21,5
RZ31P-__W.6T.1__	137-170	266	35	318	259	282	385	21,5
RZ31P-__W.6L.2__	137-80	336	35	318	259	192	440	25,0
RZ31P-__W.6Q.2__	137-120	336	35	318	259	232	440	25,0
RZ35P-__W.6Q.1__	137-120	296	35	357	297	232	440	20,5
RZ35P-__W.7Q.1__	165-120	297	40	357	297	262	440	20,5
RZ35P-__W.7T.1__	165-170	297	40	357	297	307	440	20,5
RZ35P-__W.6T.2__	137-170	336	35	357	298	282	440	25,0
RZ35P-__W.6W.2__	137-220	336	35	357	298	332	440	25,0
RZ35P-__W.6T.3__	137-170	376	35	357	298	282	480	25,0
RZ35P-__W.6W.1__	137-220	376	35	357	298	332	480	25,0
RZ40P-__W.7Q.1__	165-120	337	40	402	327	262	486	20,5
RZ40P-__W.7T.1__	165-170	337	40	402	327	307	440	25,0
RZ40P-__W.7T.1__	165-170	337	40	402	327	307	485	21,5
RZ40P-__W.7W.1__	165-220	337	40	402	327	372	485	21,5
RZ40P-__W.7W.1__	165-220	337	40	402	327	372	492	25,0
RZ45P-__W.7W.1__	165-220	379	40	452	379	372	485	21,5
RZ28S-__W.6L.2__	137-80	323	35	280	243	192	410	25,0

