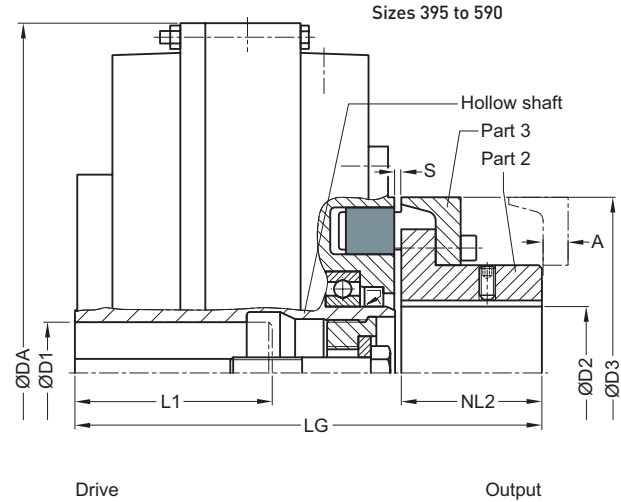
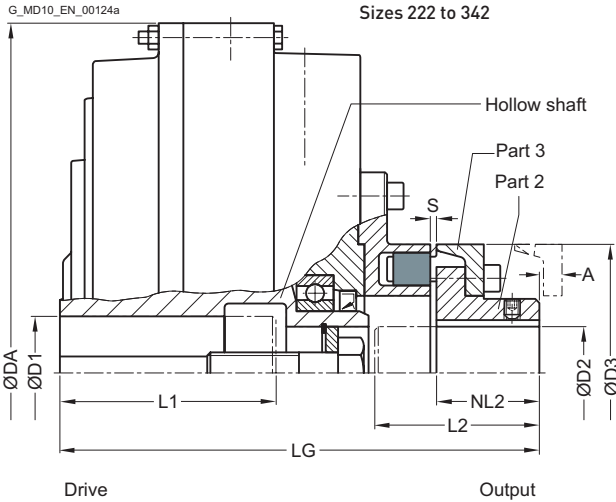


# TYPE FAD

with N-EUPEX D add-on coupling

Enables change of flexible elements without axial displacement of the shafts if the space "A" is provided.



Size	Maximum speed $n_{Kmax}$ rpm	FLUDEX coupling					N-EUPEX D add-on coupling						Article no. <sup>1)</sup>	Weight <i>m</i> kg	
		D1 Keyway to DIN 6885			L1 max. mm	DA mm	LG mm	D2 max. mm	L2 max. mm	NL2 mm	Size D3 mm	S mm			A mm
		min. mm	max. mm	Preferred bore mm											
222	3600	>38 <sup>2)</sup>	38 42 <sup>2)</sup>	28 80	80	263	180	45	65	40	110	3 <sup>+1</sup> <sub>-1</sub>	13	2LC0900-0AA9	12
297	3600	>38 >55 <sup>2)</sup>	38 55 60 <sup>2)</sup>	80 110 110	110	340	233	55	80	50	125	3 <sup>+1</sup> <sub>-1</sub>	11	2LC0900-1AA9	24
342	3600	>55 <sup>2)</sup>	55 60 <sup>2)</sup>	48 + 55 110 120	110	400	271	60	88	55	140	3 <sup>+1</sup> <sub>-1</sub>	16	2LC0900-2AA9	34
395	3000		65	60 + 65	140	448	299	100	90	90	225	4,5 <sup>+1,5</sup> <sub>-1,5</sub>	9	2LC0900-3AA9	53
450	3000	>75	75 80	65 + 75 140 170	140	512	338	115	100	100	250	6 <sup>+2</sup> <sub>-3</sub>	11	2LC0900-4AA9	70
516	2300	>55	55 90	140 170	140	584	398	145	125	125	315	5 <sup>+3</sup> <sub>-2</sub>	0	2LC0900-5AA9	113
590	2000	>75 >95	75 95 100	140 170 210	140	662	433	145	125	125	315	5 <sup>+3</sup> <sub>-2</sub>	0	2LC0900-6AA9	138

13

## Configurable variants <sup>1)</sup>

- ØD2 Without finished bore  
With finished bore
- Delivery without oil filling  
Delivery with oil filling with specification of oil filling quantity in l  
Delivery without oil filling with oil filling quantity specification in l

## Notes

- The specified coupling weights are effective for maximum bores without oil filling.
- Delivery with oil filling only above -20 °C

## Ordering example

- Motor 160 kW,  $P_{eff} = 132$  kW,  $n_1 = 1470$  rpm, maximum output torque:  $T_{max} = 2.0 \cdot T_{eff}$ .
- FLUDEX FAD coupling size 516
- Hollow shaft: Bore ØD1= 80H7 mm with keyway to DIN 6885/1 and retaining screw
- Part 2: with finished bore ØD2 = 80H7
- Specification of oil filling quantity: 17.7 l [see Page 13/9]

Article no.: 2LC0900-5AA99-0AA0-Z L1J+M1J+Y90  
Plain text to Y90: 17.7 l

<sup>1)</sup> To identify complete item numbers specifying the available finish boring options and – if necessary – further order options, please use our configurators on [flender.com](http://flender.com).

<sup>2)</sup> Version with flat groove as per DIN 6885/3.

↗ For online configuration on [flender.com](http://flender.com), click on the item no.